

1 2 3 4 5 6 7 8

A

B

C

D

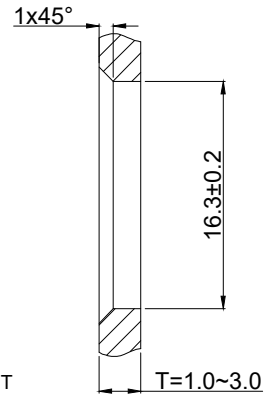
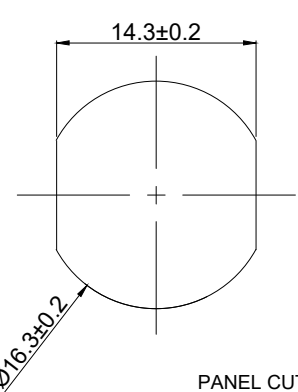
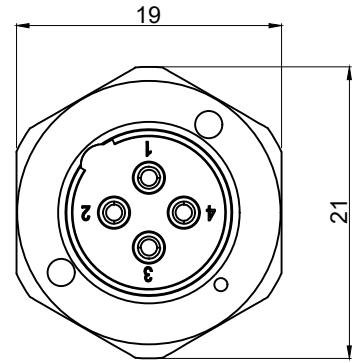
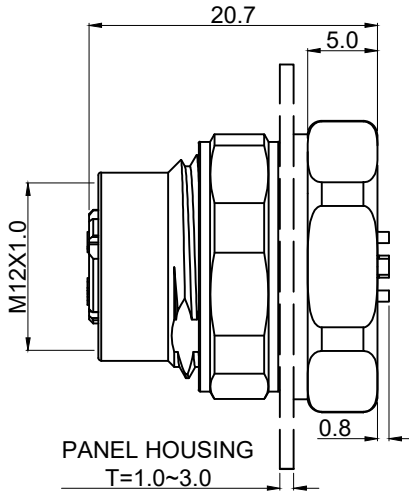
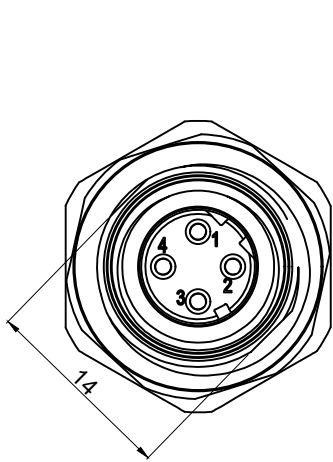
A

B

C

D

Mark	Qty	Engineering Change Area



NOTE:

1.ELECTRICAL:

- 1.1.Rated Voltage:250V
- 1.2.Rated Current:4A
- 1.3.Contact Resistance:≤15mΩ
- 1.4.Insulation Resistance:≥100MΩ
- 1.5.Rated impulse voltage:2500V

2.ENVIRONMENTAL:

- 2.1.Operating Temperature: -25°C TO +85°C
- 2.2.Protection Grade:IP67,When Tight Locked
- 2.3.Pollution Degree:3

3.Contact Material: Brass NI Plated Under Gold Flash Plated

4.Cable Range:22-20AWG

5.Conform to IEC 61076-2-101

*** UNLESS OTHERWISE SPECIFIED TOLERANCES ON DECIMAL IS:**

X.	± 0.50	X°	± 2°
X.X	± 0.30		
X.XX	± 0.20		

<p>All dimensions are in mm</p>		Material:				
		Finishing:				
Created by	Signature	Date	Phase Marking	Weight		Scale
						1:1
Checked by			P/N	61054007		
Approved by			MD/CD		Part Name: C12B-FSD-RM1-4SCUP	
State	First Release			Rev.	Page:	
				01	1 OF 1	

拓宜(上海)工控电器设备有限公司
Topone(Shanghai) Industrial Control Electrical Equipment Co., LTD.

1 2 3 4 5 6 7 8

X-ON Electronics

Largest Supplier of Electrical and Electronic Components

Click to view similar products for [Standard Circular Connector](#) category:

Click to view products by [Toponelec](#) manufacturer:

Other Similar products are found below :

[600273N007](#) [6134-336-13149](#) [6134-337-11149](#) [6134-337-2390](#) [6134-341-17149](#) [67-02E12-60PX](#) [680-SMG](#) [CXS3102A181S](#)
[D38999/20FC8SA L/C](#) [75-190216-08S](#) [75-190611-03S](#) [75-474014-05S](#) [75-474618-04S](#) [75-474620-07P](#) [799539-000](#) [805-005-07NF11-19PC](#)
[805-005-07NF15-7PA](#) [FMP.2M.310.XLCT](#) [836783-1](#) [862256-1](#) [866857-1](#) [867865-1](#) [PT08P-14-19S](#) [PT08P-14-5S](#) [QCM019PC2DC012B](#)
[121583-0217](#) [121667-0020](#) [RD10A16-19-P6CS051/1](#) [RD16A14-12-S6CS051/2](#) [1301240268](#) [1301240275](#) [1301860906](#) [DCU-08BFEA-](#)
[LL7001](#) [RM15WTP-CP\(5\)\(71\)](#) [14482](#) [16283-18](#) [1877910-1](#) [206039-3](#) [206323-1](#) [207002-2](#) [207682-1](#) [CA06COME14SA7P](#) [211777-1](#) [JL04-](#)
[1012CK\(05\)-R](#) [JL04V-2A28-11PE-R](#) [JL04V-2E10SL-3PE-B-R](#) [JL04V-2E20-15PE-B-R](#) [JL04V-2E20-4PE-B-R](#) [JL04V-2E24-10PE\(G\)-B-R](#)
[JL04V-6A24-11SE-EB-R](#)