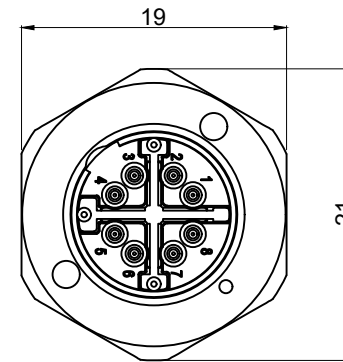


Mark	Qty	Engineering Change Area



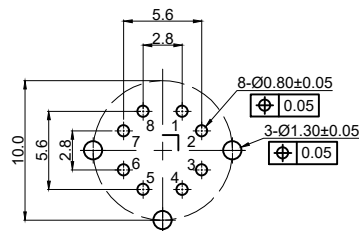
**NOTE:**

**1. ELECTRICAL:**

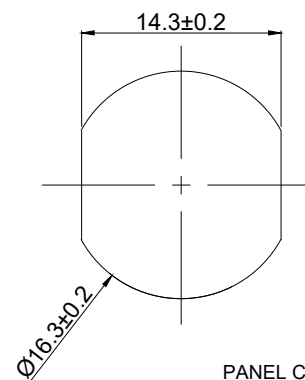
- 1.1. RATED VOLTAGE: 50VAC/60 DC
- 1.2. RATED CURRENT: 0.5A
- 1.3. CONTACT RESISTANCE:  $\leq 15\text{m}\Omega$
- 1.4. INSULATION RESISTANCE:  $\geq 100\text{M}\Omega$
- 1.5. Rated impulse voltage: 800V

**2. ENVIRONMENTAL:**

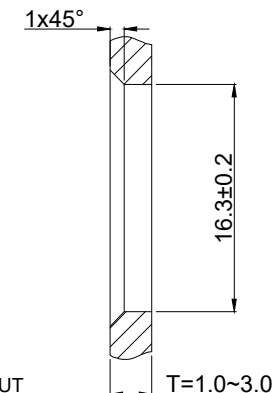
- 2.1. OPERATING TEMPERATURE:  $-25^{\circ}\text{C}$  TO  $+85^{\circ}\text{C}$
- 2.2. PROTECTION GRADE: IP67, WHEN TIGHT LOCKED
- 2.3. POLLUTION DEGREE: 3
- 3. CONTACT MATERIAL: BRASS NI PLATED UNDER GOLD PLATED
- 4. CONFORM TO IEC 61076-2-109



RECOMMENDED PCB LAYOUT

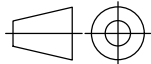



PANEL CUT OUT



\* UNLESS OTHERWISE SPECIFIED  
TOLERANCES ON DECIMAL IS:

X.	$\pm 0.50$	X°	$\pm 2^{\circ}$
X.X	$\pm 0.30$		
X.XX	$\pm 0.20$		

 All dimensions are in mm		Material:			
		Finishing:			
Signature	Date	Phase Marking	Weight	Scale	
				1:1	
Created by		P/N	61060007	Part Name: C12B-FSX-RM-8 SH1	
Checked by		MD/CD		Rev. 01	
Approved by				Page: 1 OF 1	
State	First Release				

拓宜(上海)工控电器设备有限公司  
Topone(Shanghai) Industrial Control Electrical Equipment Co., LTD.

## X-ON Electronics

Largest Supplier of Electrical and Electronic Components

*Click to view similar products for [Standard Circular Connector](#) category:*

*Click to view products by [Toponelec](#) manufacturer:*

Other Similar products are found below :

[600273N007](#) [6134-336-13149](#) [6134-337-11149](#) [6134-337-2390](#) [6134-341-17149](#) [67-02E12-60PX](#) [680-SMG](#) [CXS3102A181S](#)  
[D38999/20FC8SA L/C](#) [75-190216-08S](#) [75-190611-03S](#) [75-474014-05S](#) [75-474618-04S](#) [75-474620-07P](#) [799539-000](#) [805-005-07NF11-19PC](#)  
[805-005-07NF15-7PA](#) [FMP.2M.310.XLCT](#) [836783-1](#) [862256-1](#) [866857-1](#) [867865-1](#) [PT08P-14-19S](#) [PT08P-14-5S](#) [QCM019PC2DC012B](#)  
[121583-0217](#) [121667-0020](#) [RD10A16-19-P6CS051/1](#) [RD16A14-12-S6CS051/2](#) [1301240268](#) [1301240275](#) [1301860906](#) [DCU-08BFEA-](#)  
[LL7001](#) [RM15WTP-CP\(5\)\(71\)](#) [14482](#) [16283-18](#) [1877910-1](#) [206039-3](#) [206323-1](#) [207002-2](#) [207682-1](#) [CA06COME14SA7P](#) [211777-1](#) [JL04-](#)  
[1012CK\(05\)-R](#) [JL04V-2A28-11PE-R](#) [JL04V-2E10SL-3PE-B-R](#) [JL04V-2E20-15PE-B-R](#) [JL04V-2E20-4PE-B-R](#) [JL04V-6A24-11SE-EB-R](#)  
[JN1AS04MK1X](#)