

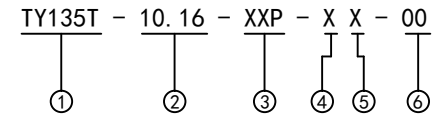
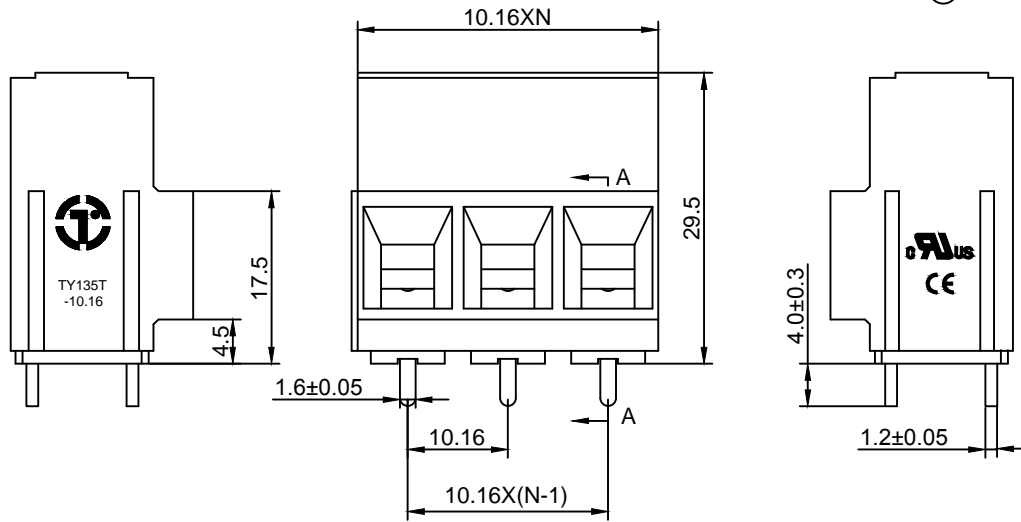
Material :

- (a) Housing : PA66(UL94V-0)
- (b) Screws : Steel , Cr³⁺Zn Plated
- (c) Cage : Brass , Ni Plated
- (d) Pin Header : Brass , Tin Plated
- (e) Cover : PA66(UL94V-0)

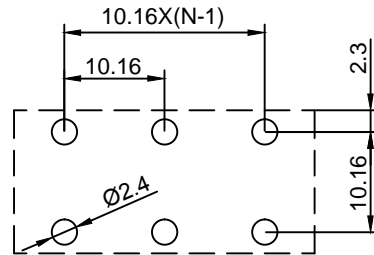
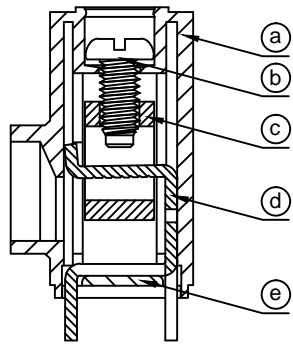
Electrical :

- | | | |
|------------------------------|-----------------|-------------------|
| | UL | IEC |
| 1.Rated Voltage : | 300V | 750V |
| 2.Rated Current : | 52A | 57A |
| 3.Torque Value : | M4 , 10.53Lb.in | M4 , 1.2N.m |
| 4.Wire Range: | 20-6AWG | 10mm ² |
| 5.Stripping Length : | 10-11mm | |
| 6.Withstanding Voltage : | AC3000V/1Min. | |
| 7.Operating Temperature : | -30°C~+120°C | |
| 8.RoHS Compliance | | |
| 9.Safety Approval : | UL | |
| 10.Undimensioned Tolerances: | | |

Pitch Range In mm		Nominal Dimension Range In mm						
≤6	6 ~ 10	10 ~ 24	≤30	30 ~ 60	60 ~ 100	100 ~ 150	>150	0.05/10
±0.10	±0.15	±0.25	±0.20	±0.30	±0.50	±0.70	±1.00	±0.1°



- ① Series No.
- ② Pitch
- ③ Poles
02 02Contacts
03 03Contacts
...
24 24Contacts
- ④ 1 Single Pitch
2 Double Pitch
- ⑤ Color: 1 Grey
2 Blue
3 Black
4 Green(Standard For AH)
5 Orange
6 Red
7 Transparent
8 Yellow
9 White
- ⑥ Customer Request :
00--Standard



DETACHED LISTS			拓宜(上海)工控电器设备有限公司 Topone(Shanghai) Industrial Control Electrical Equipment Co., LTD.	
	APPD: MA_8/13/16'	CHKD: Yu_8/12/16'	TY135T-10.16-XXP-XX-00	
	DRFT: Chen_8/11/16'			
	 THIRD ANGLE PROJECTION		PART NO.	DRAWING NO.
		DO NOT SCALE DRAWING	SHEET 1/1	SCALE 1/1

X-ON Electronics

Largest Supplier of Electrical and Electronic Components

Click to view similar products for [Fixed Terminal Blocks](#) category:

Click to view products by [Toponelec](#) manufacturer:

Other Similar products are found below :

[MBE-1512](#) [MBE-1520](#) [MBE-154](#) [MBE-156](#) [MBES-156](#) [MH-2512](#) [MHE-132](#) [MHE-163](#) [MI-254 \(35\)](#) [MPT-275](#) [ELM10110G](#) [BA311TU](#)
[BA411SU](#) [MV-254-D](#) [MV-255](#) [MV-493](#) [MVE-252](#) [MVE-253](#) [MVEB-153](#) [1705142](#) [1-796689-8](#) [1841320000](#) [S451](#) [29.007](#) [29.116](#) [30.204](#)
[30.503](#) [30.756](#) [30.853](#) [9872-0-00-15-00-00-33-0](#) [996750](#) [1710052](#) [20020316-G071B01LF](#) [20020327-C061B01LF](#) [29590](#) [30.652](#) [30.710](#)
[30.754](#) [30.757](#) [32.058](#) [37.206](#) [37.208](#) [37.507](#) [37.558](#) [38331-5812](#) [38331-8018](#) [38540-1910](#) [39.002](#) [MBE-1517](#) [MBE-153](#)