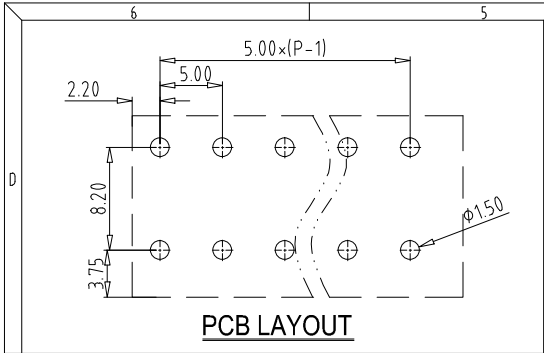
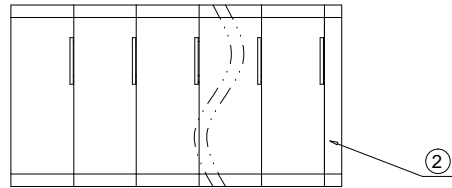


REV	CONTENT	CHK	DATE
V0.0	CONTENT	MYZ	21.11.30



**Electrical :**

- |   |                |                        |
|---|----------------|------------------------|
|   | UL             | IEC                    |
| 1. Rated Voltage :                      | 300V           | 450V                   |
| 2. Rated Current :                      | 15A            | 17A                    |
| 3. Wire Range:                          | 28-12AWG       | 0.2-2.5mm <sup>2</sup> |
| 4. Stripping Length :                   | 5-6mm          |                        |
| 5. Withstanding Voltage :               | AC2500V/1Min.  |                        |
| 6. Operating Temperature :              | -40 °C~+105 °C |                        |
| 7. RoHS Compliance                      |                |                        |
| 8. Safty Approval :                     | UL CE          |                        |
| 9. ★ " is the key quality control point |                |                        |



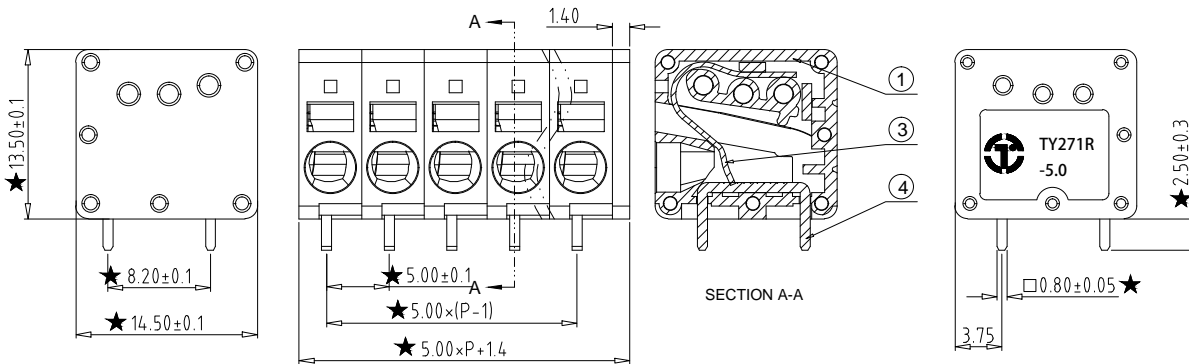
TY271R - 5.0 - XXP - X X - 00

①      ②      ③      ④      ⑤      ⑥

① Series NO.    ④ Single Pitch

- ② Pitch                      ⑤ Color: 1 Grey  
    2 Blue  
    3 Black  
    4 Green  
 ③ Poles                      5 Orange  
    6 Red  
    7 Transparent  
    8 Yellow  
    9 White

⑥ Customer Request: 00--Standard



4	PIN HEADER	XX	P	Copper alloy	Tin Plated
3	SPRING	XX	P	Stainless steel	--
2	COVER	XX	1	PA66 UL94V-0	SEE NOTE
1	HOUSING	XX	P	PA66 UL94V-0	SEE NOTE
ITEM	NAME OF PART	NO. OF PART	Q"TY	MATERIAL	NOTE
DWG.	MYZ	DATE	21.11.30	SIZE	A4 UNITS mm SHEET/OF 1 / 1
CHK.	DATE			SCALE	1:1
APP.	DATE			NAME	TY271R-5.0-XXP-XX-00
<b>拓宜(上海)工控电器设备有限公司</b> Topone(Shanghai) Industrial Control Electrical Equipment Co., LTD.				DWGNO.	XXXX

Total Pitch Tolerances in mm										Nominal dimension range in mm										⊥	=	-	//					
over	over	over	over	over	over	over	over	over	over	over	over	over	over	over	over	over	over	over	over	over	over	over	over	over	over	over	over	over
0	30	53	70	90	115	150	250	350	500	0	30	53	70	90	115	150	200	250	320	0	over	10	0	100	150	0	100	150
±0.18	±0.20	±0.25	±0.3	±0.35	±0.4	±0.60	±0.70	±0.85	±0.20	±0.25	±0.30	±0.35	±0.4	±0.55	±0.70	±0.80	±0.90	0.2	0.3	0.3	0.3	0.2	0.3	0.3	0.5	0.2	0.3	0.5

## X-ON Electronics

Largest Supplier of Electrical and Electronic Components

*Click to view similar products for [Fixed Terminal Blocks](#) category:*

*Click to view products by [Toponelec](#) manufacturer:*

Other Similar products are found below :

[MBE-1512](#) [MBE-1520](#) [MBE-154](#) [MBE-156](#) [MBES-156](#) [MH-2512](#) [MHE-132](#) [MHE-163](#) [MI-254 \(35\)](#) [MPT-275](#) [ELM10110G](#) [BA311TU](#)  
[BA411SU](#) [MV-254-D](#) [MV-255](#) [MV-493](#) [MVE-252](#) [MVE-253](#) [MVEB-153](#) [1705142](#) [1-796689-8](#) [1841320000](#) [S451](#) [29.007](#) [29.116](#) [30.204](#)  
[30.503](#) [30.756](#) [30.853](#) [9872-0-00-15-00-00-33-0](#) [996750](#) [1710052](#) [20020316-G071B01LF](#) [20020327-C061B01LF](#) [29590](#) [30.652](#) [30.710](#)  
[30.754](#) [30.757](#) [32.058](#) [37.206](#) [37.208](#) [37.507](#) [37.558](#) [38331-5812](#) [38331-8018](#) [38540-1910](#) [39.002](#) [MBE-1517](#) [MBE-153](#)