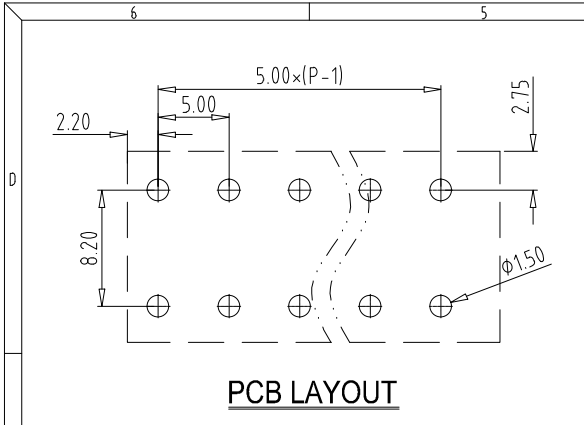
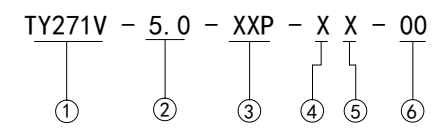
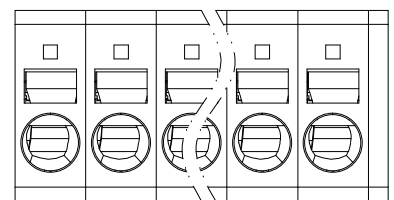


REV	CONTENT	CHK	DATE
V0.0	CONTENT	MYZ	21.09.29

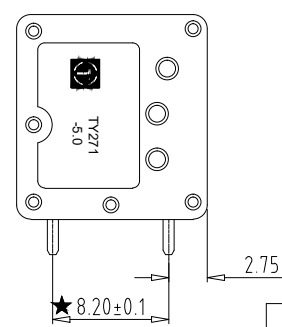
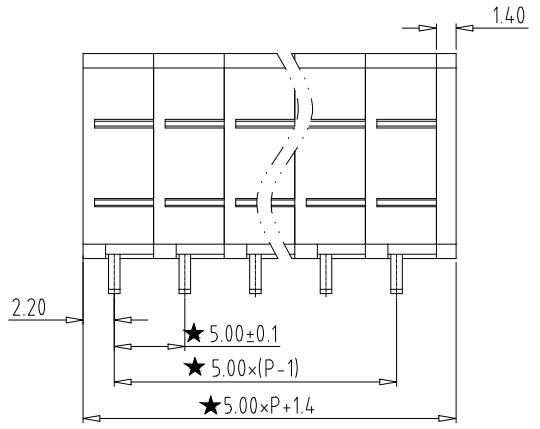
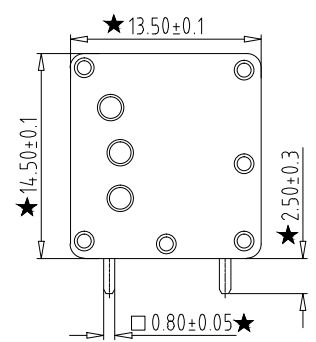


Electrical :

- | | | |
|---|----------------|------------------------|
| | UL | IEC |
| 1. Rated Voltage : | 300V | 400V |
| 2. Rated Current : | 20A | 24A |
| 3. Wire Range: | 24-12AWG | 0.2-2.5mm ² |
| 4. Stripping Length : | 9-10mm | |
| 5. Withstanding Voltage : | AC2200V/1Min. | |
| 6. Operating Temperature : | -40 °C~+105 °C | |
| 7. RoHS Compliance | | |
| 8. Safty Approval : | UL CE | |
| 9. " ★ " is the key quality control point | | |



- ① Series NO.
- ② Pitch
- ③ Poles
02 02Contacts
03 03Contacts
...
24 24Contacts
- ④ Single Pitch
- ⑤ Color: 1 Grey
2 Blue
3 Black
4 Green
5 Orange
6 Red
7 Transparent
8 Yellow
9 White
- ⑥ Customer Request: 00--Standard



4	SPRING	XX	P	Stainless steel	--
3	PIN HEADER	XX	P	Copper alloy	Tin Plated
2	COVER	XX	1	PA66 UL94V-0	SEE NOTE
1	HOUSING	XX	P	PA66 UL94V-0	SEE NOTE
ITEM	NAME OF PART	NO. OF PART	Q'TY	MATERIAL	NOTE
DWG.	MYZ	DATE	21.09.29	SIZE	A4 UNITS mm SHEET/OF 1 / 1
CHK.	DATE			SCALE	1:1
APP.	DATE			NAME	TY271V-5.0-XXP-XX-00
				DWGNO.	XXXX

Total Pitch Tolerances in mm										Nominal dimension range in mm										⊥		≡		—		//	
over	over	over	over	over	over	over	over	over	over	over	over	over	over	over	over	over	over	over	over	over	over	over	over	over	over	over	over
0	30	53	70	90	115	150	250	350	500	0	30	53	70	90	115	150	200	250	320	0	10	all	all	0	100	0	150
to	to	to	to	to	to	to	to	to	to	to	to	to	to	to	to	to	to	to	to	to	to	to	to	to	to	to	to
30	53	70	90	115	150	250	350	500	500	30	53	70	90	115	150	200	250	320	320	10	10			100	150	100	150
±0.18	±0.20	±0.25	±0.3	±0.35	±0.4	±0.6	±0.70	±0.85	±0.20	±0.25	±0.30	±0.35	±0.4	±0.44	±0.55	±0.70	±0.80	±0.90	0.2	0.3	0.3	0.2	0.3	0.2	0.3	0.5	0.5



X-ON Electronics

Largest Supplier of Electrical and Electronic Components

Click to view similar products for [Fixed Terminal Blocks](#) category:

Click to view products by [Toponelec](#) manufacturer:

Other Similar products are found below :

[MBE-1512](#) [MBE-1520](#) [MBE-154](#) [MBE-156](#) [MBES-156](#) [MH-2512](#) [MHE-132](#) [MHE-163](#) [MI-254 \(35\)](#) [MPT-275](#) [ELM10110G](#) [BA311TU](#)
[BA411SU](#) [MV-254-D](#) [MV-255](#) [MV-493](#) [MVE-252](#) [MVE-253](#) [MVEB-153](#) [1705142](#) [1-796689-8](#) [1841320000](#) [S451](#) [29.007](#) [29.116](#) [30.204](#)
[30.503](#) [30.756](#) [30.853](#) [9872-0-00-15-00-00-33-0](#) [996750](#) [1710052](#) [20020316-G071B01LF](#) [20020327-C061B01LF](#) [29590](#) [30.652](#) [30.710](#)
[30.754](#) [30.757](#) [32.058](#) [37.206](#) [37.208](#) [37.507](#) [37.558](#) [38331-5812](#) [38331-8018](#) [38540-1910](#) [39.002](#) [MBE-1517](#) [MBE-153](#)