

REVISION RECORD				
REV	ECN	DESCRIPTION	DRFT	DATE

NOTES1:

- UL Standard
 1.Rated voltage/current : 150V / 6A
 2.Torque value : M1.6 , 1.29Lb.in
 3.Wire range : 26~18AWG

IEC Standard

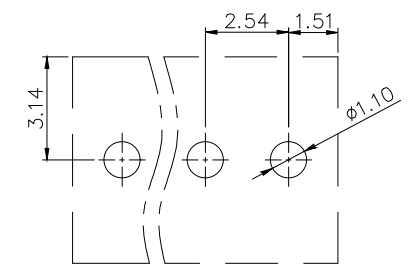
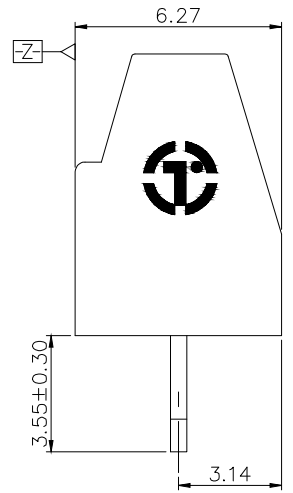
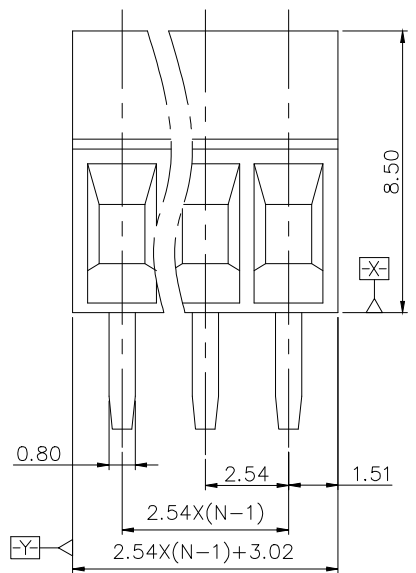
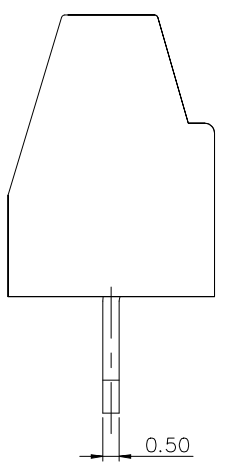
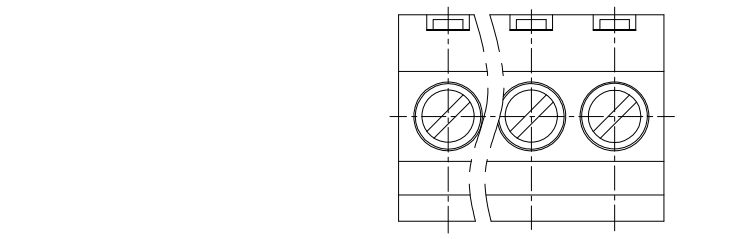
- 1.Rated voltage/current : 130V / 8A
 2.Torque value : M1.6 , 0.15N·m
 3.Wire range : 0.5~1.0mm²

NOTES2:

- 1.Dimension shall be interpreted per ASME Y14.5-2009
 2.Pitch : 2.54mm, Poles : N=02-12P
 3.Stripping length : 4~5mm
 4.Withstanding voltage : AC1250V/1Min
 5.Operating temperature: -40°C~+105°C
 6.Undimensioned tolerances:

Pitch range in mm		Nominal dimension range in mm				—	⌒	▯
TO	Over	Over	TO	Over	Over	Over	TO	TO
6	6 TO 10	10 TO 24	30 TO 60	60 TO 100	100 TO 150	150	0.1/10	<
±0.15	±0.20	±0.30	±0.30	±0.50	±0.70	±1.00	±1.30	±2'

7.RoHS Compliance



P.C.B. LAYOUT

TY308 - 2.54 - XXP - 1Y - 00A (H)
 (Series No.)(Pitch) (Poles) (Single Pitch) (Color): 1.(Grey)2.(Blue)3.(Black)4.(Green)5.(Orange)6.(Red)7.(Transparent)8.(Yellow)9.(White)
 (RoHS)
 00A-(Standard)

DETACHED LISTS	PART NO.:	拓宜 (上海) 工控电器设备有限公司		
	APPD:	NAME: TY308-2.54-XXP-1Y-00A(H)		
	CHKD:	TITLE: CUSTOMER DRAWING		
	DRFT: YXX 2018/07/13	REV	DO	
	THIRD ANGLE PROJECTION	DRAWING NO.:	SHEET	1/1
	MM (INCH)	DO NOT SCALE DRAWING	SCALE	1:1

X-ON Electronics

Largest Supplier of Electrical and Electronic Components

Click to view similar products for [Fixed Terminal Blocks](#) category:

Click to view products by [Toponelec](#) manufacturer:

Other Similar products are found below :

[MBE-1512](#) [MBE-1520](#) [MBE-154](#) [MBE-156](#) [MBES-156](#) [MH-2512](#) [MHE-132](#) [MHE-163](#) [MI-254 \(35\)](#) [MI-272](#) [MPT-275](#) [ELM10110G](#)
[BA311TU](#) [BA411SU](#) [MV-253/NCNOC](#) [MV-254-D](#) [MV-255](#) [MV-493](#) [MVE-252](#) [MVE-253](#) [MVE-273](#) [MVEB-153](#) [1700096](#) [1705142](#)
[1712417](#) [1713088](#) [1745195](#) [1760594](#) [1-796689-8](#) [1-796692-6](#) [1800114](#) [20020314-C121B01LF](#) [20020316-G041B01LF](#) [KP03215000J0G](#)
[KP04215000J0G](#) [S451](#) [29.007](#) [29.116](#) [30.103](#) [30.106](#) [30.503](#) [30.608](#) [30.755](#) [30.756](#) [30.853](#) [9872-0-00-15-00-00-33-0](#) [996750](#) [1706303](#)
[1710052](#) [1712418](#)