

REVISION RECORD				
REV	ECN	DESCRIPTION	DRFT	DATE

NOTES1:

- UL Standard  
 1.Rated voltage/current : 150V / 6A  
 2.Torque value : M1.6 , 1.29Lb.in  
 3.Wire range : 26~18AWG

IEC Standard

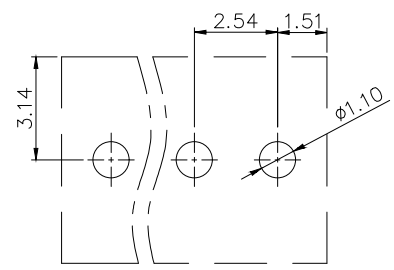
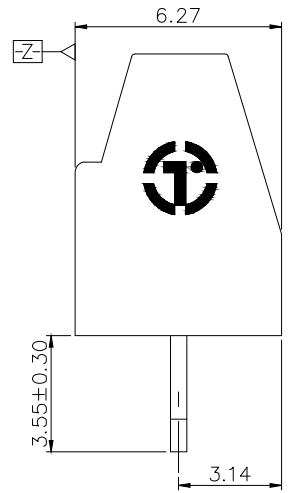
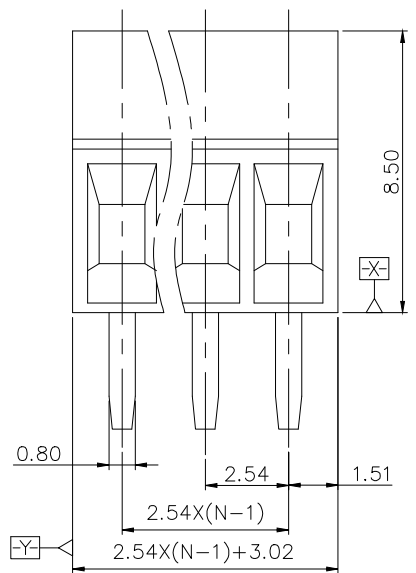
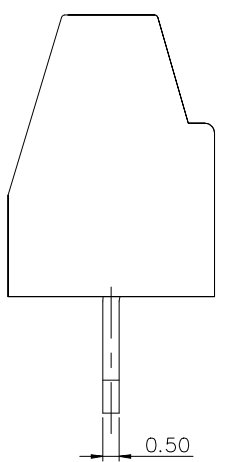
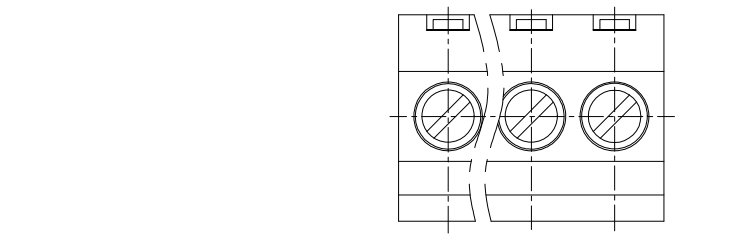
- 1.Rated voltage/current : 130V / 8A  
 2.Torque value : M1.6 , 0.15N·m  
 3.Wire range : 0.5~1.0mm<sup>2</sup>

NOTES2:

- 1.Dimension shall be interpreted per ASME Y14.5-2009  
 2.Pitch : 2.54mm, Poles : N=02-12P  
 3.Stripping length : 4~5mm  
 4.Withstanding voltage : AC1250V/1Min  
 5.Operating temperature: -40°C~+105°C  
 6.Undimensioned tolerances:

Pitch range in mm		Nominal dimension range in mm				—	⌒	∕
TO	Over	Over	TO	Over	Over	TO	TO	TO
6	6 TO 10	10 TO 24	30	30 TO 60	60 TO 100	100 TO 150	150	0.1/10
±0.15	±0.20	±0.30	±0.30	±0.50	±0.70	±1.00	±1.30	±2'

7.RoHS Compliance



P.C.B. LAYOUT

TY308 - 2.54 - XXP - 1Y - 00A (H)  
 (Series No.)(Pitch) (Poles) (Single Pitch) (Color): 1.(Grey)2.(Blue)3.(Black)4.(Green)5.(Orange)6.(Red)7.(Transparent)8.(Yellow)9.(White)  
 (RoHS)  
 00A-(Standard)

DETACHED LISTS	PART NO.:	拓宜 (上海) 工控电器设备有限公司		
	APPD:	NAME: TY308-2.54-XXP-1Y-00A(H)		
	CHKD:	TITLE: CUSTOMER DRAWING		
	DRFT: YXX 2018/07/13	REV	DO	
	THIRD ANGLE PROJECTION	DRAWING NO.:	SHEET	1/1
	MM (INCH)	DO NOT SCALE DRAWING	SCALE	1:1

## X-ON Electronics

Largest Supplier of Electrical and Electronic Components

*Click to view similar products for [Fixed Terminal Blocks](#) category:*

*Click to view products by [Toponelec](#) manufacturer:*

Other Similar products are found below :

[MBE-1512](#) [MBE-1520](#) [MBE-154](#) [MBE-156](#) [MBES-156](#) [MH-2512](#) [MHE-132](#) [MHE-163](#) [MI-254 \(35\)](#) [MI-272](#) [MPT-275](#) [15602-04-08-21](#)  
[ELM023100](#) [ELM10110G](#) [BA311TU](#) [BA411SU](#) [MV-254-D](#) [MV-255](#) [MV-493](#) [MVE-252](#) [MVE-253](#) [MVEB-153](#) [1705142](#) [1712417](#)  
[1713088](#) [1745195](#) [1760594](#) [1-796689-8](#) [1800114](#) [20020314-C121B01LF](#) [KP03215000J0G](#) [KP04215000J0G](#) [S451](#) [29.007](#) [29.116](#) [30.204](#)  
[30.503](#) [30.756](#) [30.853](#) [9872-0-00-15-00-00-33-0](#) [996750](#) [1710052](#) [1777707](#) [1-796692-3](#) [20020316-G071B01LF](#) [20020327-C061B01LF](#)  
[29590](#) [30.652](#) [30.710](#) [30.754](#)