

REVISION RECORD				
REV	ECN	DESCRIPTION	DRFT	DATE

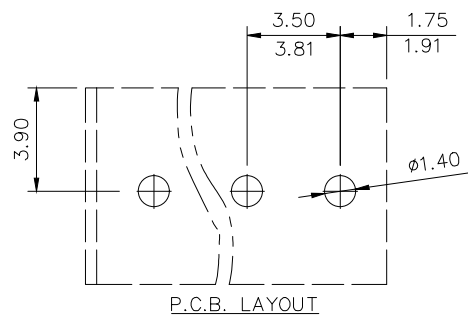
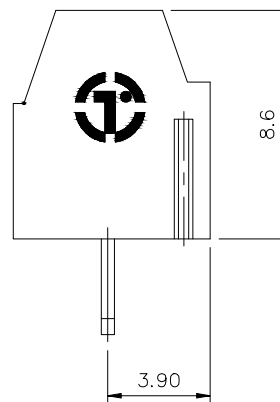
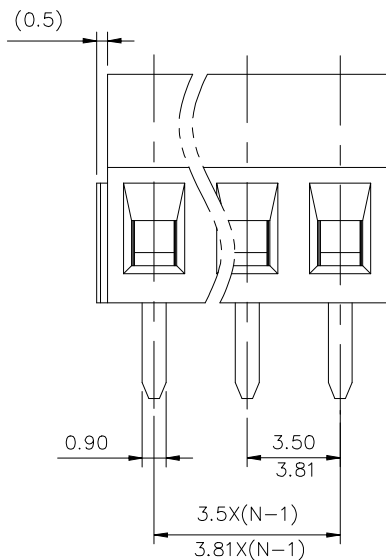
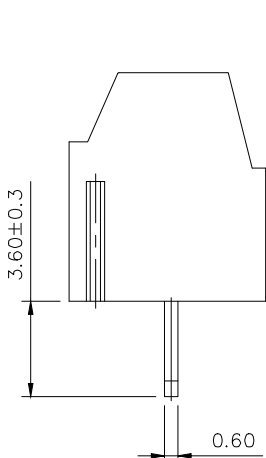
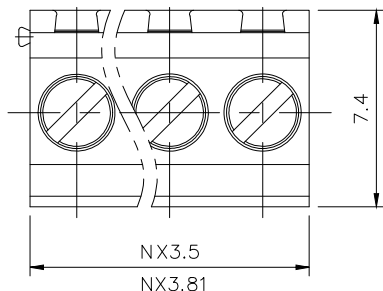
NOTES1:
 UL Standard
 1.Rated voltage/current : 300V / 10A
 2.Torque Value : M2 , 1.77Lb.in
 3.Wire Range : 26~16AWG

IEC Standard
 1.Rated voltage/current : 130V / 10A
 2.Torque Value : M2 , 0.2N.m
 3.Wire Range : 0.5~1.0mm²

NOTES2:
 1.Dimension shall be interpreted per ASME Y14.5-2009
 2.Pitch : 3.5/3.81mm, Poles : N=02~24P
 3.Stripping length : 4~5mm
 4.Withstanding voltage : AC1250V/1Min
 5.Operating temperature: -40°C~+105°C
 6.Undimensioned tolerances:

Pitch range in mm			Nominal dimension range in mm					-	∩	Z
TO	Over	TO	TO	Over	Over	Over	Over	0.1/10		
6	6	10	30	30	60	100	150	≤		
±0.15	±0.20	±0.30	±0.30	±0.50	±0.70	±1.00	±1.30	±2'		

7.RoHS Compliance



TY381 - 3.5/3.81 - XXP - 1Y - 00A (H)
 (Series No.) (Pitch) (Poles) (Single Pitch) (Color) (RoHS)
 00A-(Standard)
 1.(Grey)
 2.(Blue)
 3.(Black)
 4.(Green)
 5.(Orange)
 6.(Red)
 7.(Transparent)
 8.(Yellow)
 9.(White)

DETACHED LISTS	PART NO.:	石宜 (上海) 工控电器设备有限公司		
	APPD:	NAME: TY381-3.5/3.81-XXP-1Y-00A(H)		
	CHKD:	TITLE: CUSTOMER DRAWING		
	DRFT:	REV	DO	
THIRD ANGLE PROJECTION		DRAWING NO.:	SHEET	1/1
		MM (INCH)	DO NOT SCALE DRAWING	SCALE 1:1

X-ON Electronics

Largest Supplier of Electrical and Electronic Components

Click to view similar products for [Fixed Terminal Blocks](#) category:

Click to view products by [Toponelec](#) manufacturer:

Other Similar products are found below :

[MBE-1512](#) [MBE-1520](#) [MBE-154](#) [MBE-156](#) [MBES-156](#) [MH-2512](#) [MHE-132](#) [MHE-163](#) [MI-254 \(35\)](#) [MI-272](#) [MPT-275](#) [15602-04-08-21](#)
[ELM023100](#) [ELM10110G](#) [BA311TU](#) [BA411SU](#) [MV-254-D](#) [MV-255](#) [MV-493](#) [MVE-252](#) [MVE-253](#) [MVEB-153](#) [1705142](#) [1712417](#)
[1713088](#) [1745195](#) [1760594](#) [1-796689-8](#) [1800114](#) [20020314-C121B01LF](#) [KP03215000J0G](#) [KP04215000J0G](#) [S451](#) [29.007](#) [29.116](#) [30.204](#)
[30.503](#) [30.756](#) [30.853](#) [9872-0-00-15-00-00-33-0](#) [996750](#) [1710052](#) [1777707](#) [1-796692-3](#) [20020316-G071B01LF](#) [20020327-C061B01LF](#)
[29590](#) [30.652](#) [30.710](#) [30.754](#)