

REVISION RECORD

REV	ECN	DESCRIPTION	DRFT	DATE
-----	-----	-------------	------	------

NOTES1:

UL Standard

- 1.Rated voltage/current : 300V / 20A
- 2.Torque value : M2.5 , 3.54Lb.in
- 3.Wire range : 30~12AWG

IEC Standard

- 1.Rated voltage/current : 250V / 18A
- 2.Torque value : M2.5 , 0.4N·m
- 3.Wire range : 1.0~2.5mm²

NOTES2:

- 1.Dimension shall be interpreted per ASME Y14.5-2009
- 2.Pitch : 7.62mm, Poles : N=02~XXP
- 3.Stripping length : 6~7mm
- 4.Withstanding voltage : AC2000V/1Min
- 5.Operating temperature: -40°C~+105°C
- 6.Undimensioned tolerances:

Pitch range in mm		Nominal dimension range in mm						-	∩	∇
TO	Over	TO	Over	TO	Over	TO	Over	TO	Over	
6	6	10	10	24	30	60	100	150	150	
±0.15	±0.20	±0.30	±0.30	±0.30	±0.50	±0.70	±1.00	±1.30	±2*	

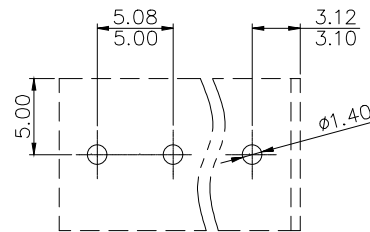
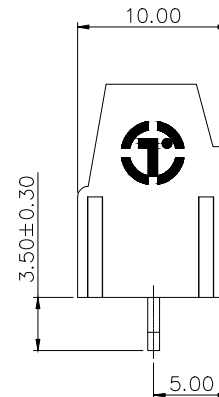
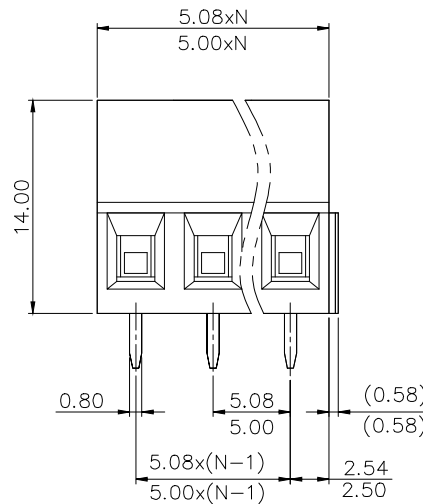
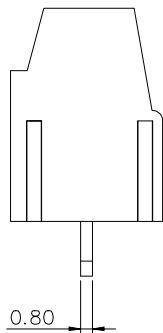
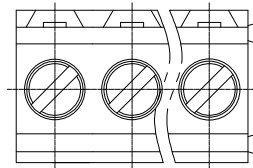
7.RoHS Compliance

TY500 - 5.0/5.08 - XXP - 1Y - 00A (H)

(Series No.) (Pitch) (Poles) (Single Pitch) (Color) (RoHS)

00A-(Standard)

- 1.(Grey)
- 2.(Blue)
- 3.(Black)
- 4.(Green)
- 5.(Orange)
- 6.(Red)
- 7.(Transparent)
- 8.(Yellow)
- 9.(White)



PCB LAYOUT

DETACHED LISTS	PART NO.:	拓宜 (上海) 工控电器设备有限公司			
	APPD:	NAME: TY500-5.0/5.08-XXP-1Y-00A(H)			
	CHKD:	TITLE: CUSTOMER DRAWING			
	DRFT:	REV	DO	SHEET	1/1
THIRD ANGLE PROJECTION		DRAWING NO.:	DO NOT SCALE DRAWING	SCALE	1:1

H
G
F
E
D
C
B
A

X-ON Electronics

Largest Supplier of Electrical and Electronic Components

Click to view similar products for [Fixed Terminal Blocks](#) category:

Click to view products by [Toponelec](#) manufacturer:

Other Similar products are found below :

[MBE-1512](#) [MBE-1520](#) [MBE-154](#) [MBE-156](#) [MBES-156](#) [MH-2512](#) [MHE-132](#) [MHE-163](#) [MI-254 \(35\)](#) [MI-272](#) [MPT-275](#) [ELM10110G](#)
[BA311TU](#) [BA411SU](#) [MV-253/NCNOC](#) [MV-254-D](#) [MV-255](#) [MV-493](#) [MVE-252](#) [MVE-253](#) [MVE-273](#) [MVEB-153](#) [1700096](#) [1705142](#)
[1712417](#) [1713088](#) [1745195](#) [1760594](#) [1-796689-8](#) [1-796692-6](#) [1800114](#) [20020314-C121B01LF](#) [20020316-G041B01LF](#) [KP03215000J0G](#)
[KP04215000J0G](#) [S451](#) [29.007](#) [29.116](#) [30.103](#) [30.106](#) [30.503](#) [30.608](#) [30.755](#) [30.756](#) [30.853](#) [9872-0-00-15-00-00-33-0](#) [996750](#) [1706303](#)
[1710052](#) [1712418](#)