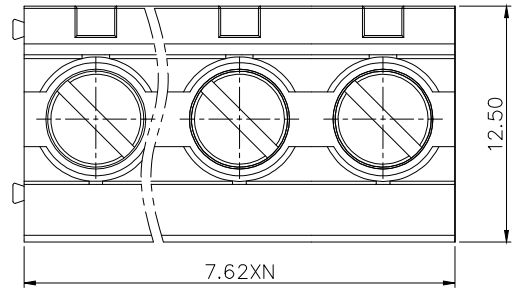
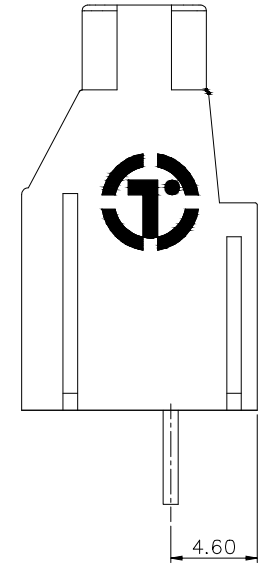
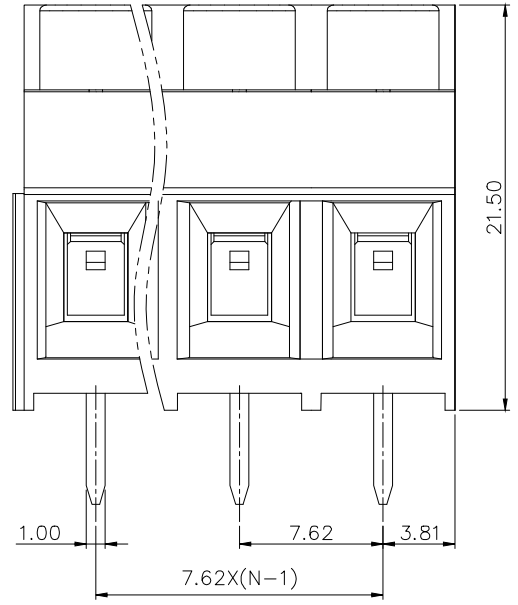
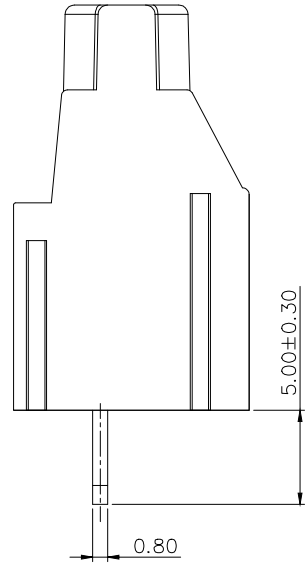


REVISION RECORD				
REV	ECN	DESCRIPTION	DRFT	DATE



TY636 - 7.62 - XXP - 1Y - 00A (H)  
 (Series No.) (Pitch) (Poles) (Single Pitch) (RoHS)  
 00A-(Standard)  
 (Color): 1.(Grey) 2.(Blue) 3.(Black) 4.(Green) 5.(Orange)  
 6.(Red) 7.(Transparent) 8.(Yellow) 9.(White)

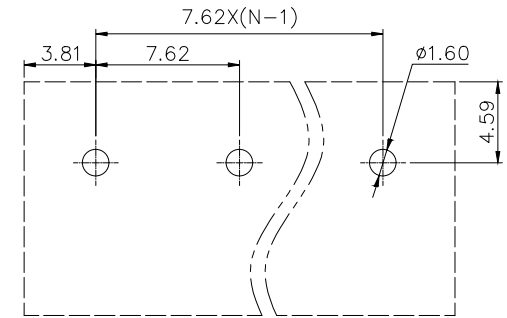
H  
G  
F  
E  
D  
C  
B  
A



NOTES1:  
 UL Standard  
 1.Rated voltage/current : 300V / 30A  
 2.Torque value : M3 , 4.43Lb.in  
 3.Wire range : 26~10AWG  
 IEC Standard  
 1.Rated voltage/current : 630V / 32A  
 2.Torque value : M3 , 0.5N\*m  
 3.Wire range : 0.2~4.0mm<sup>2</sup>/0.2~6.0mm<sup>2</sup>  
 NOTES2:  
 1.Dimension shall be interpreted per ASME Y14.5-2009  
 2.Pitch : 7.62mm, Poles : N=02~24P  
 3.Stripping length : 8mm  
 4.Withstanding voltage : AC3000V/1Min.  
 5.Operating temperature: -40°C~+105°C  
 6.Undimensioned tolerances:

Pitch range in mm		Nominal dimension range in mm				0.1/10
TO 6	Over 6 TO 10	Over 10 TO 24	TO 30	Over 30 TO 60	Over 60 TO 100	Over 100 TO 150
±0.15	±0.20	±0.30	±0.30	±0.50	±0.70	±1.00
						±1.30
						±2'

7.RoHS Compliance



PCB LAYOUT

DETACHED LISTS	PART NO.:	/			
	APPD:	/			
	CHKD:	/			
	DRFT:	/			
	THIRD ANGLE PROJECTION	/			
	NAME: 拓宜 (上海) 工控电器设备有限公司		TITLE: CUSTOMER DRAWING		
	NAME: TY636-7.62-XXP-1Y-00A(H)		REV	DO	
	DRAWING NO.:		SHEET	1/1	
	MM (INCH)		SCALE	1:1	
	DO NOT SCALE DRAWING				

## X-ON Electronics

Largest Supplier of Electrical and Electronic Components

*Click to view similar products for [Fixed Terminal Blocks](#) category:*

*Click to view products by [Toponelec](#) manufacturer:*

Other Similar products are found below :

[MBE-1512](#) [MBE-1520](#) [MBE-156](#) [MBES-156](#) [MH-2512](#) [MHE-132](#) [MHE-163](#) [MI-254 \(35\)](#) [MI-272](#) [MPT-275](#) [ELM10110G](#) [BA311TU](#)  
[BA411SU](#) [MV-253/NCNOC](#) [MV-254-D](#) [MV-255](#) [MV-493](#) [MVE-252](#) [MVE-253](#) [MVE-273](#) [MVEB-153](#) [1700096](#) [1705142](#) [1712417](#)  
[1713088](#) [1745195](#) [1760594](#) [1-796689-8](#) [1-796692-6](#) [1800114](#) [20020314-C121B01LF](#) [20020316-G041B01LF](#) [CB2-12](#) [KP03215000J0G](#)  
[KP04215000J0G](#) [S451](#) [29.007](#) [29.116](#) [30.103](#) [30.106](#) [30.503](#) [30.608](#) [30.755](#) [30.756](#) [30.853](#) [9872-0-00-15-00-00-33-0](#) [996750](#) [1706303](#)  
[1710052](#) [1712418](#)