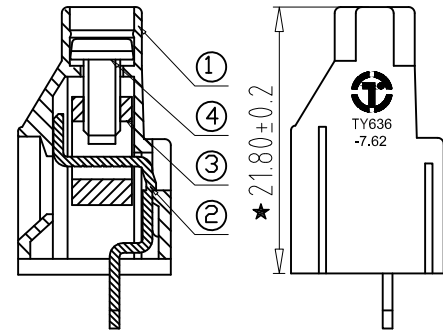
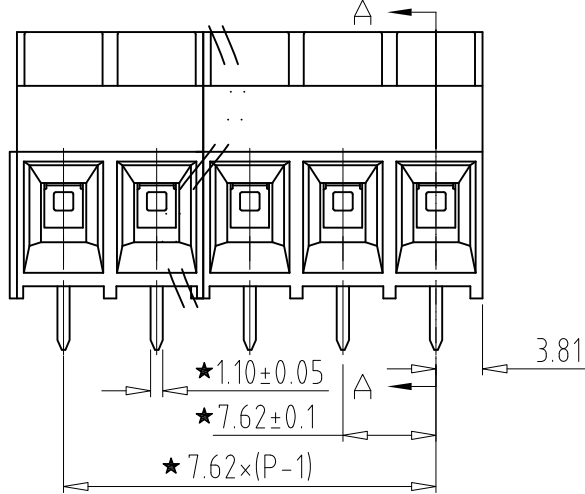
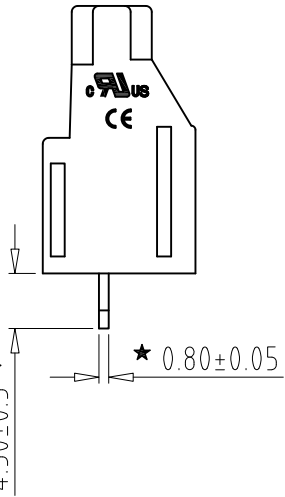
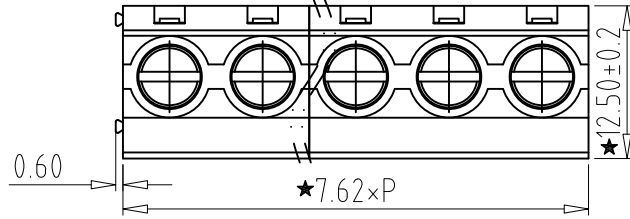
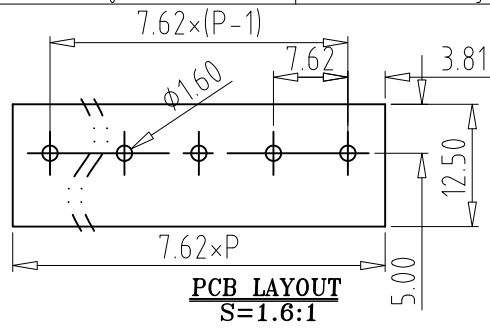


REV	CONTENT	CHK	DATE
V0.0	CONTENT	CXL	20.05.11



**Electrical :**

- |   |                |                        |
|---|----------------|------------------------|
|   | UL             | IEC                    |
| 1. Rated Voltage :                        | 300V           | 450V                   |
| 2. Rated Current :                        | 30A            | 24A                    |
| 3. Torque Value :                         | M3 , 4.43Lb.in | M3 , 0.5N.m            |
| 4. Wire Range:                            | 26-10AWG       | 1.5-4.0mm <sup>2</sup> |
| 5. Stripping Length :                     | 7-8mm          |                        |
| 6. Withstanding Voltage :                 | AC2500V/1Min.  |                        |
| 7. Operating Temperature :                | -40°C~+105°C   |                        |
| 8. RoHS Compliance                        |                |                        |
| 9. Safty Approval :                       | cULus CE       |                        |
| 10. "★" is the key quality control point. |                |                        |

- TY636 - 7.62 - XXP - X X - 00
- |               |         |               |                                    |  |                                   |
|---------------|---------|---------------|------------------------------------|--|-----------------------------------|
| ①             | ②       | ③             | ④                                  | ⑤  | ⑥                                 |
| ① Series No.  | ② Pitch | ③ Poles       | ④ 1 Single Pitch<br>2 Double Pitch | ⑤ Color: 1 Grey<br>2 Blue<br>3 Black<br>4 Green<br>5 Orange<br>6 Red<br>7 Transparent<br>8 Yellow<br>9 White | ⑥ Customer Request : 00--Standard |
| 02 02Contacts |         | 03 03Contacts |                                    |  |                                   |
| 24 24Contacts |         |               |                                    |  |                                   |

4	SCREW	XX	P	STEEL	Zn Plated
3	BLOCK	XX	P	BRASS	Ni Plated
2	PIN	XX	P	BRASS	Tin Plated
1	HOUSING	XX	1	PA66 UL94V-0	SEE NOTE
ITEM	NAME OF PART	NO. OF PART	Q'TY	MATERIAL	NOTE
DWG.	CXL	DATE	20.05.11	SIZE	A4 UNITS mm SHEET/OF 1/1
CHK.		DATE		SCALE	1:1
APP.		DATE		NAME	TY636-7.62-XXP-XX-00
				DWGNO.	XXXX

Total Pitch Tolerances in mm										Nominal dimension range in mm										⊥	≡	-	//		
over 0	over 30	over 53	over 70	over 90	over 115	over 150	over 250	over 350	over 500	over 0	over 30	over 53	over 70	over 90	over 115	over 150	over 200	over 250	over 320	0	over 10	all	over 0	over 100	over 150
±0.18	±0.20	±0.25	±0.3	±0.35	±0.4	±0.60	±0.70	±0.85	±0.20	±0.25	±0.30	±0.35	±0.4	±0.55	±0.70	±0.80	±0.90	0.2	0.3	0.3	0.2	0.3	0.5		



## X-ON Electronics

Largest Supplier of Electrical and Electronic Components

*Click to view similar products for [Fixed Terminal Blocks](#) category:*

*Click to view products by [Toponelec](#) manufacturer:*

Other Similar products are found below :

[MBE-1512](#) [MBE-1520](#) [MBE-154](#) [MBE-156](#) [MBES-156](#) [MH-2512](#) [MHE-132](#) [MHE-163](#) [MI-254 \(35\)](#) [MPT-275](#) [ELM10110G](#) [BA311TU](#)  
[BA411SU](#) [MV-254-D](#) [MV-255](#) [MV-493](#) [MVE-252](#) [MVE-253](#) [MVEB-153](#) [1705142](#) [1-796689-8](#) [1841320000](#) [S451](#) [29.007](#) [29.116](#) [30.204](#)  
[30.503](#) [30.756](#) [30.853](#) [9872-0-00-15-00-00-33-0](#) [996750](#) [1710052](#) [20020316-G071B01LF](#) [20020327-C061B01LF](#) [29590](#) [30.652](#) [30.710](#)  
[30.754](#) [30.757](#) [32.058](#) [37.206](#) [37.208](#) [37.507](#) [37.558](#) [38331-5812](#) [38331-8018](#) [38540-1910](#) [39.002](#) [MBE-1517](#) [MBE-153](#)