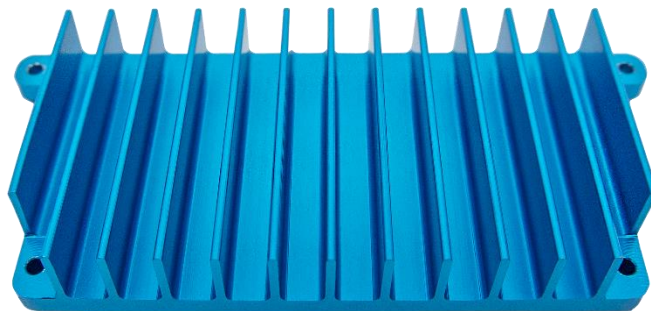


# Verdin Industrial Heatsink

## Datasheet



## Revision History

Date	Doc. Rev.	Heatsink Version	Changes
16-Apr-2021	Rev. 0.9	V1.0A	Initial release
			Product picture updated Preliminary markings removed
7-Nov-2021	Rev. 1.0	V1.0B	Section 2.1: added missing thermal resistance valued to the table Section 4: updated product pictures, added general tolerances Section 5.1: added details about screws maximum tightening torque Small improvements throughout the whole document

## Contents

<b>1. Introduction</b>	<b>4</b>
1.1. <i>Reference Documents</i>	4
1.1.1 Verdin Family Specification	4
1.1.2 Verdin Carrier Board Design Guide	4
1.1.3 Toradex Developer Website - Verdin Computer Modules	4
1.1.4 Toradex Developer Website - Verdin Carrier Boards	4
1.1.5 Thermal Interface Material (TGP 3000) Datasheets	4
<b>2. Technical Specifications</b>	<b>5</b>
2.1. <i>Verdin Industrial Heatsink Type 1</i>	5
<b>3. Compatibility</b>	<b>6</b>
<b>4. Mechanical Dimensions</b>	<b>7</b>
4.1. <i>Heatsink Dimensions</i>	7
4.2. <i>Overall Dimensions</i>	8
4.3. <i>General Tolerances</i>	8
<b>5. Assembly</b>	<b>9</b>
5.1. <i>Assembly procedure</i>	9
<b>6. Product Compliance</b>	<b>10</b>
<b>7. Storage Requirements</b>	<b>11</b>

## 1. Introduction

---

The Verdin Industrial Heatsink is a complete thermal solution. It is mounted to the Verdin carrier board by means of four M2x10mm Phillips cross slot screws.

### 1.1. Reference Documents

For detailed technical information about suitable computer modules, please refer to the documents listed below.

#### 1.1.1 Verdin Family Specification

<https://docs.toradex.com/109262-verdin-family-specification.pdf>

#### 1.1.2 Verdin Carrier Board Design Guide

<https://docs.toradex.com/108140-verdin-carrier-board-design-guide.pdf>

#### 1.1.3 Toradex Developer Website - Verdin Computer Modules

<https://developer.toradex.com/products/verdin-imx8m-mini>

<https://developer.toradex.com/products/verdin-som-family/modules/verdin-imx8m-plus>

#### 1.1.4 Toradex Developer Website - Verdin Carrier Boards

<https://developer.toradex.com/products/verdin-development-board>

<https://developer.toradex.com/products/dahlia-carrier-board>

#### 1.1.5 Thermal Interface Material (TGP 3000) Datasheets

The datasheets of Thermal Interface Material used on the Verdin Industrial Heatsink can be downloaded by using the following link:

<http://tds.henkel.com/tds5/Studio/ShowPDF/243%20NEW-EN?pid=TGP%203000&format=MTR&subformat=HYS&language=EN&plant=WERCS>

## 2. Technical Specifications

### 2.1. Verdin Industrial Heatsink Type 1

Material	Aluminum alloy AL6063-T5	Remarks
<b>Surface</b>	Degreased, blue anodized	
<b>Thermal conductivity</b>	190 to 221 W/(mK)	Temperature Range: 40°C to 100°C
<b>Weight</b>	Approx 33 grams	
<b>TIM, Thermal conductivity</b>	3.0 W/(mK)	Thermal Interface Material (TGP 3000)
<b>TIM, Flame Rating</b>	UL 94V-0	
<b>TIM, Volume Resistivity</b>	1x10 <sup>9</sup> Ohm-meter	
<b>TIM, Dielectric Constant</b>	7.0 @ 1000 Hz	
<b>TIM, Dielectric Breakdown Voltage</b>	>3000 V(AC)	
<b>TIM, Continuous Use Temperature</b>	-60°C to +200°C	
<b>TIM, Density</b>	3.2 g/cc	
<b>TIM, Young's Modulus</b>	26 PSI	
<b>TIM, Hardness Bulk Rubber</b>	30 (Shore 00)	
<b>Thermal resistance (Module-Alu)</b>	< 1.55°C/W (Estimated)	
<b>Thermal resistance (Alu-Ambient)</b>	< 9.1°C/W (Estimated)	

### 3. Compatibility

---

The following table shows the compatibility of the Verdin Industrial Heatsinks and the Verdin modules:

Verdin Module	Compatible Verdin Industrial Heatsink
Verdin iMX8M Mini V1.1A and newer	23111000 Verdin Industrial Heatsink Type 1 V1.0A and newer
Verdin iMX8M Plus V1.0B and newer	

## 4. Mechanical Dimensions

The following drawings illustrate the mechanical dimensions of the Verdin Industrial Heatsink. All measurements are in millimeters (mm); the images are not to scale.

### 4.1. Heatsink Dimensions

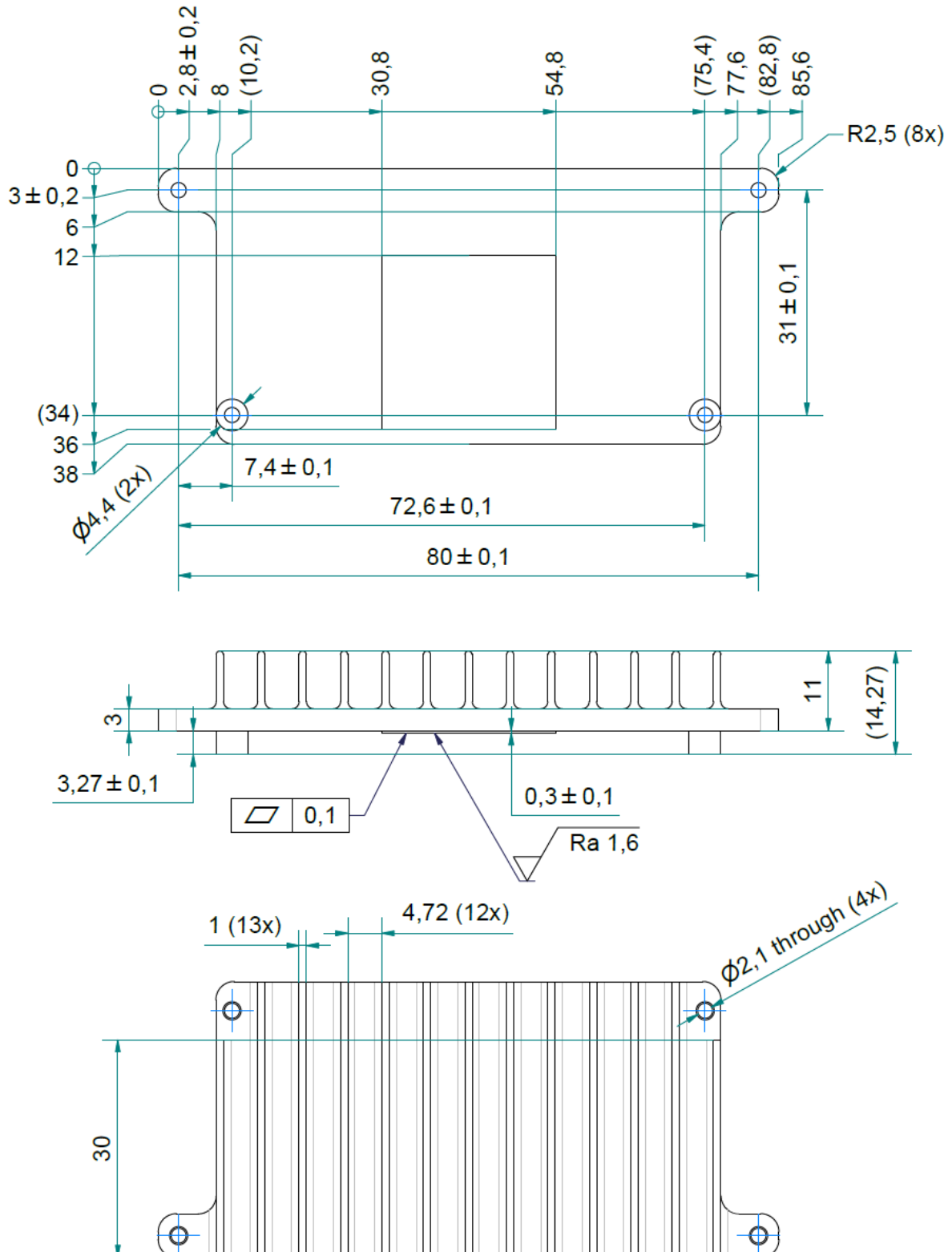


Figure 1-A: Verdin Industrial Heatsink Type 1 Heatsink Dimensions

## 4.2. Overall Dimensions

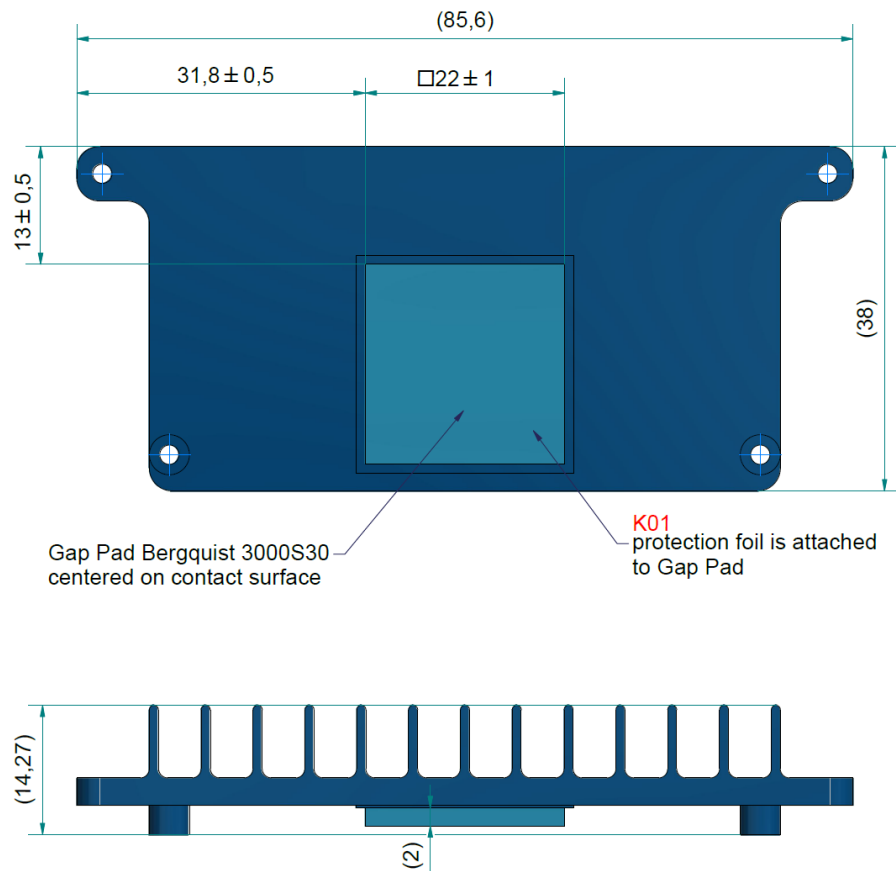


Figure 1-B: Verdin Industrial Heatsink Type 1 Overall Dimensions

## 4.3. General Tolerances

When not explicitly specified, the following tolerances apply to the product:

- Machining dimensions: DIN ISO 2768mK
- Extrusion dimensions: DIN EN12020-2
- Diecasting dimensions: DIN1688-4 GTA14



## 5. Assembly

---

Assembly must be done very carefully since putting the Verdin Industrial Heatsink in a wrong orientation will damage the Verdin module or prevent the system from working correctly.

### 5.1. Assembly procedure

The following procedure indicates how to attach the Verdin Industrial Heatsink to the Verdin module to complete the heatsink solution. Please read the instructions and follow the procedure very carefully to ensure that the module does not get damaged. Necessary precautions should be taken to avoid the build-up of electrostatic charges.

1. Clean the processor's top surface using an anti-static cloth.
2. Insert the Verdin module in the SO-DIMM socket X1 on the Verdin carrier board.
3. Carefully remove the plastic foil from the TIM.
4. Carefully align the mounting holes of the Verdin Industrial Heatsink to be in line with the stand-offs available on the Verdin carrier board. Place the Verdin Industrial Heatsink on the system.
5. Use four units of M2-sized screws to affix the Verdin Industrial Heatsink to the system. The maximum tightening torque specified by the spacers mounted on the Verdin carrier boards is 0.2 Nm.
4. Done. The system is now ready for use.

## 6. Product Compliance

---

Up-to-date information about product compliance such as RoHS, CE, UL-94, Conflict Mineral, REACH, etc. can be found on our website at <http://www.toradex.com/support/product-compliance>

## 7. Storage Requirements

---

Shelf life is the period of time that a product is expected to remain within its approved product specification while stored under defined conditions.

The most significant factor limiting the Verdin Industrial Heatsink's shelf life is the mylar film used to protect the TIM when the product is not assembled on the computer module.

The following table shows the storage requirements and the shelf life of the Verdin Industrial Heatsink.

Short periods during which the product is subjected to slightly off-specification environmental conditions will not significantly impact shelf life.

Storage Measures	Ambient Atmosphere	Storage Temperature	Storage Relative Humidity	Maximum Storage Time
Original packing	Air	22°C to 28°C	40% to 60%	12 months

**DISCLAIMER:**

Copyright © Toradex AG. All rights are reserved. The information and content in this document are provided “as-is” with no warranties of any kind and are for informational purposes only. Data and information have been carefully checked and are believed to be accurate; however, no liability or responsibility for any errors, omissions or inaccuracies is assumed.

Brand and product names are trademarks or registered trademarks of their respective owners. Specifications are subject to change without notice.

## X-ON Electronics

Largest Supplier of Electrical and Electronic Components

*Click to view similar products for [Heat Sinks](#) category:*

*Click to view products by [Toradex](#) manufacturer:*

Other Similar products are found below :

[657-20ABPNE](#) [73452PPBA](#) [A22-4026](#) [120-1873-007](#) [218-40CTE3](#) [231-69PAB-15V](#) [231-75PAB-13V](#) [231-75PAB-15V](#) [253-122ABE-22](#)  
[PSC22CB](#) [295-2](#) [CLP212SG](#) [D10100-28](#) [BDN183CBA01](#) [3-21053-4](#) [TX0506-1B](#) [LAE66A3CB](#) [511-3U](#) [73381PPBA](#) [73403PPBA](#) [8191-](#)  
[E40](#) [510-12M](#) [529802B00000](#) [D10650-40T5](#) [6225B-MT6G](#) [ATS-54310K-C2-R0](#) [648-51AB](#) [657-20ABPESC](#) [679-25AG](#) [FK 212 CB SA](#)  
[FK225 SA L1](#) [241404B91203G](#) [6801G](#) [680-5K](#) [7106DG/TR](#) [SK145 37 5STSTO220](#) [7109DG/TR](#) [TS-11042-CY](#) [S14K35G3S5](#) [8924G](#)  
[7717-133DAP](#) [7717-26DAP](#) [4509](#) [SW25-4G](#) [CLP-215](#) [CLP-207](#) [D20850-40-T2](#) [APF30-30-10CB/A01](#) [V8508E](#) [268-85CTE](#)