



引线式多层瓷介电容器

引线式多层瓷介电容器

CC4型、CT4型引线式多层瓷介电容器

执行标准

- 总规范: GB/T 2693-2001《电子设备用固定电容器第1部分:总规范》
 分规范: GB/T5966-2011《电子设备用固定电容器第8部分:分规范1类瓷介固定电容器》
 GB/T5968-2011《电子设备用固定电容器第9部分:分规范2类瓷介固定电容器》
 详细规范: GB/T5967-2011《电子设备用固定电容器第8-1部分:1类瓷介固定电容器评定水平EZ》
 GB/T5969-2012《电子设备用固定电容器第9-1部分:2类瓷介固定电容器评定水平EZ》



产品应用

- CG: 属1类陶瓷介质, 电气性能最稳定, 基本上不随温度、时间、电压的改变而改变, 适用于稳定性、可靠性要求较严格的场合。由于电气性能稳定, 高频特性好, 可很好地工作在高频、特高频、甚高频频段。
 2X1、X5R: 属2类陶瓷介质, 电气性能稳定, 随温度、时间、电压的变化, 其特性变化并不明显, 适用于要求较高的耦合、旁路、滤波电路及10MHz以下的中频场合。
 2F4: 属2类陶瓷介质, 具有很高的介电系数, 常用于生产小体积、大电容的电容器, 其容量随温度改变比较明显, 抗恶劣环境能力较差, 但成本低, 仍广泛应用于要求不高的滤波、旁路等电路场合。

选用示例

CC4 CT4	0805 1206	CG 2X1	50V 100V	100pF 0.1 μF	J K			
型号	外形尺寸	温度特性	额定电压	标称容量	允许偏差	腿形	腿长	包装方式
①	②	③	④	⑤	⑥	⑦	⑧	⑨

如无特殊要求不填写

① 型号

- CC4: 引线式1类多层瓷介(独石)电容器(CG)
 CT4: 引线式2类多层瓷介(独石)电容器(2X1、X5R、2F4)

② 外形尺寸(以所选用的电容器芯片尺寸代码作为该电容器的外形代码)

单位: mm

外形代码	0805	0805	1206	1210	1812	2225
Wmax	4.85	4.85	5.86	5.86	7.14	8.62
Hmax	4.16	4.16	4.36	4.80	6.00	8.62
Tmax	3.70	3.70	4.10	4.20	4.20	4.20
F	2.54 ± 0.1	5.08 ± 0.1	5.08 ± 0.1	5.08 ± 0.1	5.08 ± 0.12	5.08 ± 0.12
d	0.5 ± 0.05	0.5 ± 0.05	0.5 ± 0.05	0.5 ± 0.05	0.6 ± 0.05	0.6 ± 0.05
腿长Lmin	25.4	25.4	25.4	25.4	25.4	25.4
外形图						
腿形代号	L 直腿	H 标准腿	H 标准腿	H 标准腿	H 标准腿	H 标准腿

- 说明: ①如需特别小颗粒的产品请附图联系特制。
 ②一旦提出要求, 可以提供本表以外的任何腿形、腿距。

③ 温度特性

组别	CG	2X1	X5R	2F4
温度特性	(0 ± 30)ppm/°C	± 15%	± 15%	+30% ~ -80%
温度范围	-55°C ~ 125°C	-55°C ~ 125°C	-55°C ~ 85°C	-30°C ~ 85°C

④ 额定电压: 直标法

6.3V 10V 16V 25V 50V(63V) 100V 200V
 250V 500V 630V 1kV 2kV 3kV

⑤ 标称容量

- 采用直标法表示标称容量
 例: 0.5pF 100pF 1000pF 0.01 μF 0.1 μF
- 采用三位数表示法, 前二位数有效数, 第三位为“0”的个数, 单位: pF
 例: 0R5 = 0.5pF 5R0 = 5pF 7R5 = 7.5pF (P或R代表小数点)
 100 = 10pF 101 = 100pF 104 = 100000pF = 0.1 μF

引线式多层瓷介电容器

CC4型、CT4型引线式多层瓷介电容器



⑥ 允许偏差

组别	CG						2X1/X5R			2F4	
	B(特选)*	C*	D*	F(特选)	G(特选)	J	J(特选)	K	M	S	Z
允许偏差	±0.1pF	±0.25pF	±0.5pF	±1%	±2%	±5%	±5%	±10%	±20%	+50~-20%	+80~-20%

*C_R≤10pF; 特殊精度产品请咨询火炬电子应用工程部

⑦ 腿形: L=直腿 H=标准腿

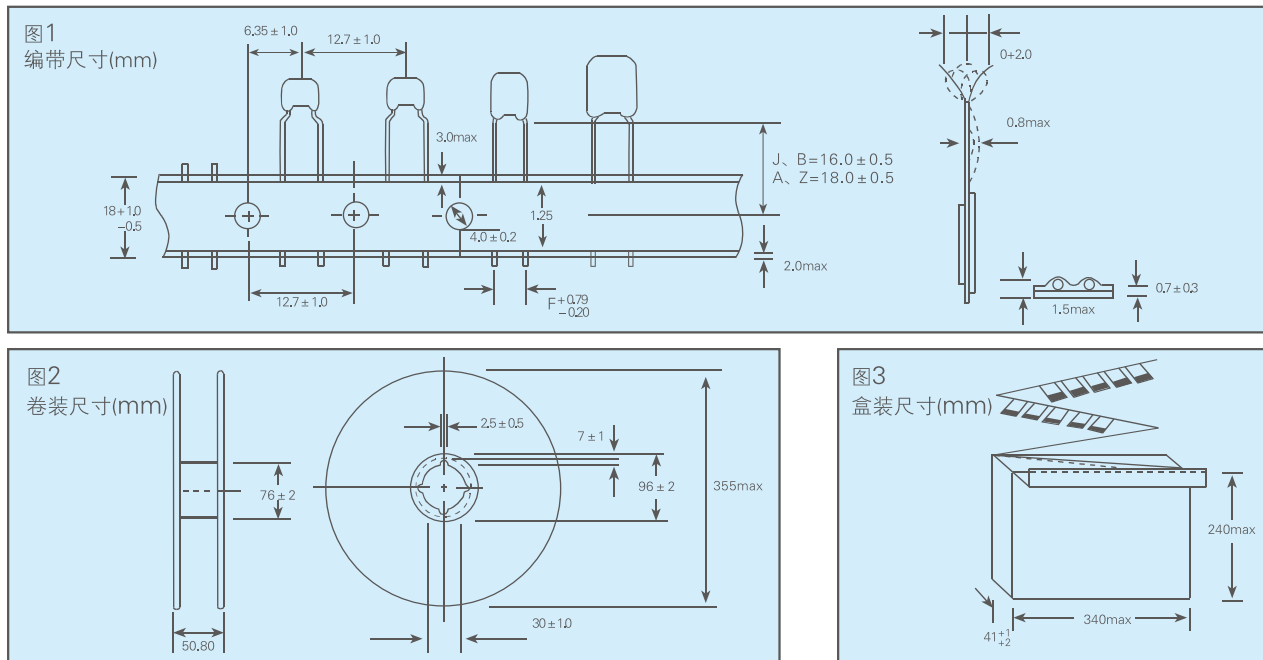
注: 如无特别说明出厂前以标准腿H制作。

⑧ 腿长: 优选腿长: 3=3.0±1mm 6=6.0±1mm 9=9.0±1mm

注: 如无特别说明出厂前腿长以L≥25.4mm制作, 特殊腿长要求, 以数字直标。

⑨ 包装方式

T=塑胶袋散装 500只/包 4000只/盒(8包)
 0805尺寸: 5000只/盒(10包), 2225尺寸: 400只/包
 A=卷装编带包装 2500只/盘(有J、A二种高度, 详见图1、图2)
 B=盒装折叠编带包装 2000只/盒(有B、Z二种高度, 详见图1、图3)
 注: 无特别说明, 出产前以500只/塑胶袋包装。



电气参数

特性	损耗角正切(C _R 单位: pF)	介质耐电压	25℃绝缘电阻(C _R 单位: μF)	类别温度范围
CG	C _R ≤30pF $\text{tg } \delta \leq \frac{1}{(400+20C_R)}$ C _R >30pF $\text{tg } \delta \leq 10 \times 10^{-4}$	U _R ≤200V 2.5U _R U _R =250V 2.0U _R U _R =500V 1.5U _R U _R ≥630V 1.2U _R	C _R ≤0.01μF IR≥10 ⁴ MΩ C _R >0.01μF IR≥ $\frac{100}{C_R}$ MΩ	-55℃~125℃
2X1	6.3V≤U _R <16V $\text{tg } \delta \leq 1000 \times 10^{-4}$ 16V≤U _R <25V $\text{tg } \delta \leq 700 \times 10^{-4}$ 25V≤U _R <50V $\text{tg } \delta \leq 500 \times 10^{-4}$ U _R ≥50V $\text{tg } \delta \leq 350 \times 10^{-4}$		C _R ≤0.025μF IR≥4GΩ C _R >0.025μF IR≥ $\frac{100}{C_R}$ MΩ	
X5R	10V≤U _R <16V $\text{tg } \delta \leq 1000 \times 10^{-4}$ 16V≤U _R <25V $\text{tg } \delta \leq 700 \times 10^{-4}$ 25V≤U _R <50V $\text{tg } \delta \leq 500 \times 10^{-4}$ U _R ≥50V $\text{tg } \delta \leq 500 \times 10^{-4}$			-30℃~85℃
2F4				

注: 0603或0603以下尺寸的2X1、X5R、2F4产品, 或者容量大于等于1μF的2X1、X5R、2F4产品, 损耗角正切值 $\text{tg } \delta \leq 1000 \times 10^{-4}$

引线式多层瓷介电容器

CC4型、CT4型引线式多层瓷介电容器



容量范围

CC4型

外形尺寸	0805							1206							1210							1812							2225																																																																																																																																																																																																																																																																																																																																																		
引线形式	L.H							H							H							H							H																																																																																																																																																																																																																																																																																																																																																		
额定电压(V)	50	100	200	250	500	630	1k	50	100	200	250	500	630	1k	2k	3k	50	100	200	250	500	630	1k	2k	3k	50	100	200	250	500	630	1k	2k	3k	25	50	100	200	250	500	630	1k	2k	3k																																																																																																																																																																																																																																																																																																																																			
cap (pF)	0.5	1.0						0.5	1.0	2.0	2.5	5.0	6.3	10	15	20	0.5	1.0	2.0	2.5	5.0	6.3	10	15	20	30	40	50	60	80	100	150	200	300	400	500	600	800	1000	1500	2000	3000	4000	5000	6000	8000	10000																																																																																																																																																																																																																																																																																																																																
	1.2	1.5						1.2	1.5	3.0	3.6	7.2	9.0	15	22	30	1.2	1.5	3.0	3.6	7.2	9.0	15	22	30	45	60	90	120	180	240	360	480	720	960	1440	1920	2880	3840	5760	7680	11520	15360	23040	30720	46080	61440	92160	122880	184320	245760	368640	491520	737280	983040	1474560	1966080	2949120	3932160	5898240	7864320	11796480	15728640	23592960	31457280	47185920	62914560	94371840	125829120	188743680	251658240	377486720	503315200	754972800	1006630400	1342176000	1782873600	2377167360	3168000000	4224000000	6336000000	8448000000	12672000000	16896000000	25344000000	33792000000	50688000000	67584000000	101376000000	135168000000	202752000000	270336000000	405504000000	540672000000	811008000000	1081344000000	1622016000000	2162688000000	3244032000000	4325376000000	6488064000000	8650752000000	12976128000000	17301504000000	25952256000000	34603008000000	51904320000000	69205632000000	103808448000000	138411264000000	207616896000000	276822528000000	415233792000000	553644960000000	830467440000000	1116956800000000	1499040000000000	1998720000000000	2998400000000000	3998080000000000	5997760000000000	7997440000000000	11996160000000000	15994880000000000	23991360000000000	31987840000000000	47984320000000000	63980800000000000	95977280000000000	127973760000000000	169970240000000000	254947200000000000	339924160000000000	509891200000000000	679858240000000000	1019827200000000000	1359793280000000000	2039759360000000000	2719725440000000000	4079491840000000000	5429258240000000000	8143887360000000000	10858516480000000000	16287774720000000000	21717032960000000000	29156391680000000000	43734582400000000000	58312773120000000000	87469159680000000000	116047350400000000000	174071027200000000000	232094704000000000000	310118380800000000000	465177568000000000000	620236752000000000000	827051072000000000000	1101401600000000000000	1475052160000000000000	2211603200000000000000	2948153760000000000000	4422220800000000000000	5896297600000000000000	8844446400000000000000	11792595200000000000000	17739980800000000000000	23687366400000000000000	32134752000000000000000	48182137600000000000000	64129523200000000000000	96186908800000000000000	128244294400000000000000	192366441600000000000000	256488588800000000000000	384732876800000000000000	512977164800000000000000	769465728000000000000000	1025954288000000000000000	1371942848000000000000000	2057931408000000000000000	2743920000000000000000000	4115878400000000000000000	5487836800000000000000000	8231750400000000000000000	10975664000000000000000000	16463494400000000000000000	21951328000000000000000000	29489168000000000000000000	44227008000000000000000000	58964848000000000000000000	88702688000000000000000000	118440528000000000000000000	177918832000000000000000000	237397136000000000000000000	321775536000000000000000000	481153936000000000000000000	640532336000000000000000000	959910736000000000000000000	1279289136000000000000000000	1874072160000000000000000000	2468855168000000000000000000	3602639168000000000000000000	4736423168000000000000000000	7090207168000000000000000000	9443991168000000000000000000	14167775168000000000000000000	18891559168000000000000000000	28329399168000000000000000000	37767239168000000000000000000	56105079168000000000000000000	74442919168000000000000000000	111680759168000000000000000000	149018599168000000000000000000	223397099168000000000000000000	297775499168000000000000000000	441153899168000000000000000000	584532299168000000000000000000	876910699168000000000000000000	1160289099168000000000000000000	1744073099168000000000000000000	2327857099168000000000000000000	3411641099168000000000000000000	4545425099168000000000000000000	6819209099168000000000000000000	9092993099168000000000000000000	13636777099168000000000000000000	18180561099168000000000000000000	27318401099168000000000000000000	36456241099168000000000000000000	54694081099168000000000000000000	72931921099168000000000000000000	109169761099168000000000000000000	145407601099168000000000000000000	219786001099168000000000000000000	294164401099168000000000000000000	438542801099168000000000000000000	582921201099168000000000000000000	871299601099168000000000000000000	1159678001099168000000000000000000	1743462001099168000000000000000000	2327246001099168000000000000000000	3471030001099168000000000000000000	4614814001099168000000000000000000	6888598001099168000000000000000000	9162382001099168000000000000000000	13706166001099168000000000000000000	18249950001099168000000000000000000	27387790001099168000000000000000000	36425630001099168000000000000000000	54263470001099168000000000000000000	72101310001099168000000000000000000	107539150001099168000000000000000000	142977000010991680000000000000000000	215414850001099168000000000000000000	287852700010991680000000000000000000	432231100010991680000000000000000000	576609500010991680000000000000000000	864987900010991680000000000000000000	1153366300010991680000000000000000000	1737150300010991680000000000000000000	2320934300010991680000000000000000000	3464718300010991680000000000000000000	4608502300010991680000000000000000000	6882286300010991680000000000000000000	9156070300010991680000000000000000000	13709854300010991680000000000000000000	18253638300010991680000000000000000000	27391478300010991680000000000000000000	36429318300010991680000000000000000000	54267158300010991680000000000000000000	72105000001099168000000000000000000000	107542800001099168000000000000000000000	142980600001099168000000000000000000000	215418400001099168000000000000000000000	287856200001099168000000000000000000000	432234600001099168000000000000000000000	576613000010991680000000000000000000000	864991400001099168000000000000000000000	1153369800001099168000000000000000000000	1737153800001099168000000000000000000000	2320937800001099168000000000000000000000	3464721800001099168000000000000000000000	4608505800001099168000000000000000000000	6882289800001099168000000000000000000000	9156073800001099168000000000000000000000	13709857800001099168000000000000000000000	18253641800001099168000000000000000000000	27391481800001099168000000000000000000000	36429321800001099168000000000000000000000	54267161800001099168000000000000000000000	72105003500001099168000000000000000000000	107542803500001099168000000000000000000000	142980603500001099168000000000000000000000	215418403500001099168000000000000000000000	287856203500001099168000000000000000000000	432234603500001099168000000000000000000000	576613003500001099168000000000000000000000	864991403500001099168000000000000000000000	1153369835000010991680000000000000000000000	1737153835000010991680000000000000000000000	2320937835000010991680000000000000000000000	3464721835000010991680000000000000000000000	4608505835000010991680000000000000000000000	6882289835000010991680000000000000000000000	9156073835000010991680000000000000000000000	13709857835000010991680000000000000000000000	18253641835000010991680000000000000000000000	27391481835000010991680000000000000000000000	36429321835000010991680000000000000000000000	54267161835000010991680000000000000000000000	72105003535000010991680000000000000000000000	107542803535000010991680000000000000000000000	142980603535000010991680000000000000000000000	215418403535000010991680000000000000000000000	287856203535000010991680000000000000000000000	432234603535000010991680000000000000000000000	576613003535000010991680000000000000000000000	864991403535000010991680000000000000000000000	1153369835350000109916800000000000000000000000	1737153835350000109916800000000000000000000000	2320937835350000109916800000000000000000000000	3464721835350000109916800000000000000000000000	4608505835350000109916800000000000000000000000	6882289835350000109916800000000000000000000000	9156073835350000109916800000000000000000000000	13709857835350000109916800000000000000000000000	18253641835350000109916800000000000000000000000	27391481835350000109916800000000000000000000000	36429321835350000109916800000000000000000000000	54267161835350000109916800000000000000000000000	72105003535350000109916800000000000000000000000	107542803535350000109916800000000000000000000000	142980603535350000109916800000000000000000000000	215418403535350000109916800000000000000000000000	287856203535350000109916800000000000000000000000	432234603535350000109916800000000000000000000000	576613003535350000109916800000000000000000000000	864991403535350000109916800000000000000000000000	1153369835353500001099168000000000000000000000000	1737153835353500001099168000000000000000000000000	2320937835353500001099168000000000000000000000000	3464721835353500001099168000000000000000000000000	4608505835353500001099168000000000000000000000000	6882289835353500001099168000000000000000000000000	9156073835353500001099168000000000000000000000000	13709857835353500001099168000000000000000000000000	18253641835353500001099168000000000000000000000000	27391481835353500001099168000000000000000000000000	36429321835353500001099168000000000000000000000000	54267161835353500001099168000000000000000000000000	72105003535353500001099168000000000000000000000000	107542803535353500001099168000000000000000000000000	142980603535353500001099168000000000000000000000000	215418403535353500001099168000000000000000000000000	287856203535353500001099168000000000000000000000000	432234603535353500001099168000000000000000000000000	576613003535353500001099168000000000000000000000000	864991403535353500001099168000000000000000000000000	1153369835353535000010991680000000000000000000000000	1737153835353535000010991680000000000000000000000000	2320937835353535000010991680000000000000000000000000	3464721835353535000010991680000000000000000000000000	4608505835353535000010991680000000000000000000000000	6882289835353535000010991680000000000000000000000000	9156073835353535000010991680000000000000000000000000	13709857835353535000010991680000000000000000000000000	18253641835353535000010991680000000000000000000000000	27391481835

X-ON Electronics

Largest Supplier of Electrical and Electronic Components

Click to view similar products for [Multilayer Ceramic Capacitors MLCC - Leaded](#) category:

Click to view products by [TORCH](#) manufacturer:

Other Similar products are found below :

[010-007220-002REV A](#) [M39014/01-1210V](#) [M39014/01-1281V](#) [M39014/01-1335V](#) [M39014/01-1571V](#) [M39014/01-1578V](#) [M39014/01-1593](#)
[M39014/02-1265V](#) [M39014/02-1347](#) [M39014/02-1350](#) [M39014/02-1356VTR1](#) [M39014/22-0167](#) [M39014/22-0734](#) [87043-49](#) [Q52-DK](#)
[AR215F103K4RTR2-3323](#) [C0603C309C5GACTU-CUT-TAPE](#) [C410C221K1G5TATR](#) [C420C102J1G5TATR](#) [C430C104M1U5TATR](#)
[SL155C222MAB](#) [FK26X7R2E104KN006](#) [CCR06CG183GRV](#) [CFB1/2C101J](#) [CFB1/2C102J](#) [CN20C102K](#) [M39014/01-1317](#) [M39014/01-](#)
[1572V](#) [M39014/01-1594V](#) [M39014/02-1236](#) [M39014/02-1321V](#) [M39014/02-1345V](#) [M39014/22-0351](#) [M39014/22-0695](#) [M39014/220767](#)
[M39014/220788](#) [M39014/22-1005](#) [MA405E334MAA](#) [MD015A103KAB](#) [SL301E105MAB](#) [CCR05CG242FRV](#) [KTD101B684M32A0B00](#)
[CCR07CG473KR](#) [CCR05CG820JP](#) [TKC-TMC1206-05-1501-J??](#) [TKC-TMC1206-05-1801-J](#) [TKC-TMC1206-05-20R0-F](#) [TKC-](#)
[TMC1206-05-3901-J](#) [TKC-TMC1206-05-44R2-F](#) [TKC-TMC1206-05-4703-J??](#)