

300mA High Speed LDO Regulator with ON/OFF Switch

TOREX 0755-29004755

GENERAL DESCRIPTION

The XC6228 series is a high speed LDO regulator that features high accurate, low noise, high ripple rejection, low dropout and low power consumption. The series consists of a voltage reference, an error amplifier, a driver transistor, a current limiter, a phase compensation circuit.

The CE function enables the circuit to be in stand-by mode by inputting low level signal. In the stand-by mode, the series enables the electric charge at the output capacitor C_L to be discharged via the internal switch, and as a result the V_{OUT} pin quickly returns to the V_{SS} level. The output stabilization capacitor C_L is also compatible with low ESR ceramic capacitors.

The output voltage is selectable from 1.2V, 1.5V, 1.8V, 2.5V, 2.8V, 3.0V, 3.1V, 3.3V which fixed by laser trimming technologies. The over current protection circuit is built-in. This protection circuit will operate when the output current reaches current limit level.

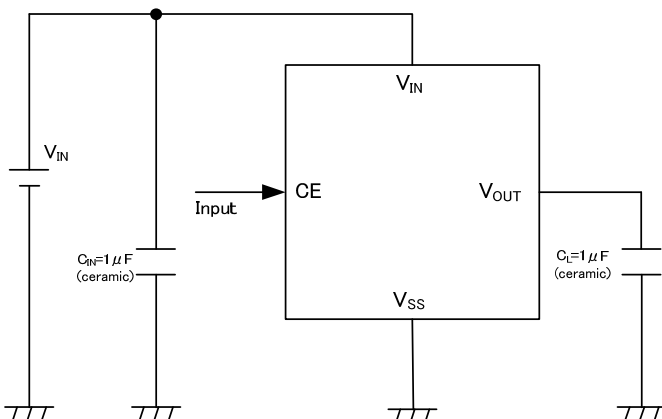
APPLICATIONS

- Mobile devices
- Wireless communications
- Modules
- Mobile phones

FEATURES

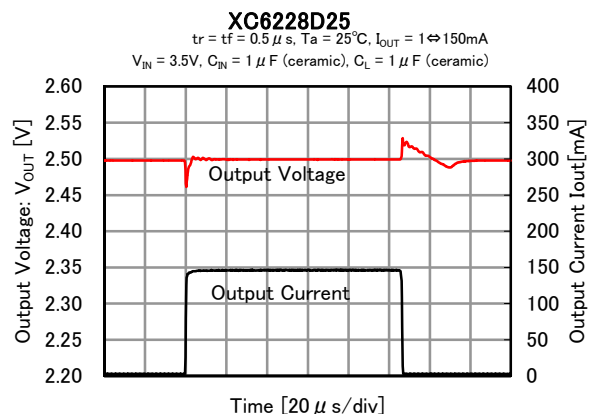
Maximum Output Current	: 300mA
Input Voltage Range	: 1.6~5.5V
Output Voltages	: 1.2V, 1.5V, 1.8V, 2.5V, 2.8V, 3.0V, 3.1V, 3.3V ($\pm 2\%$)
Dropout Voltage	: 200mV@ $I_{OUT}=300mA$ ($V_{OUT}=3.0V$)
Low Power Consumption	: 100 μA
Stand-by Current	: 0.1 μA
High Ripple Rejection	: 80dB@f=1kHz
Protection Circuits	: Current Limit (400mA) Short Circuit Protection
Low ESR Capacitors	: $C_{IN}=1 \mu F$, $C_L=1 \mu F$
CE Function	: Active High, C_L High Speed Discharge
Small Package	: SOT-25J
Environmentally Friendly	: EU RoHS Compliant, Pb Free

TYPICAL APPLICATION CIRCUIT

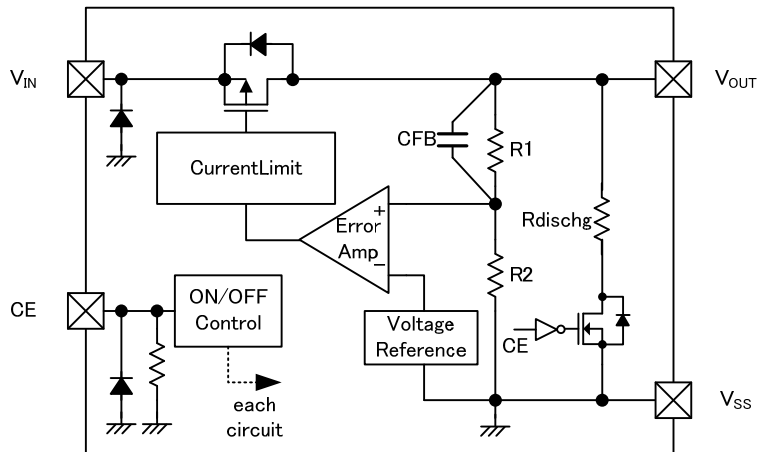


TYPICAL PERFORMANCE CHARACTERISTICS

● Load Transient Response



BLOCK DIAGRAMS



* Diodes inside the circuits are ESD protection diodes and parasitic diodes.

PRODUCT CLASSIFICATION

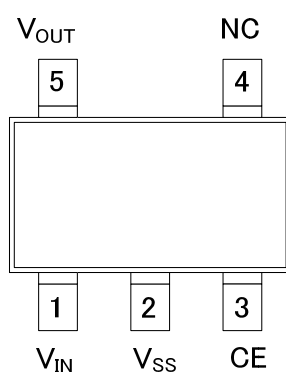
Ordering Information

XC6228 - ^(*)

DESIGNATOR	ITEM	SYMBOL	DESCRIPTION
①	Regulator Type	D	CE Active High, CE pin Pull-down resistor, C _L discharge
②③	Output Voltage	12	1.2V
		15	1.5V
		18	1.8V
		25	2.5V
		28	2.8V
		30	3.0V
		31	3.1V
		33	3.3V
④	Output Voltage Accuracy	2	±2%
⑤⑥⑦ ^(*)	Package	VR-G	SOT-25J (3,000/Reel)

^(*) The "-G" suffix indicates that the products are Halogen and Antimony free as well as being fully RoHS compliant.

PIN CONFIGURATION



PIN ASSIGNMENT

PIN NUMBER	PIN NAME	FUNCTIONS
1	V _{IN}	Power Input
5	V _{OUT}	Output
2	V _{SS}	Ground
3	CE	ON/OFF Control
4	NC	No Connection

PIN FUNCTION ASSIGNMENT

CE INPUT SIGNAL	IC OPERATION STATE
H	ON
L	OFF (Stand-by)
OPEN	OFF (Stand-by) *

* An internal pull-down resistor maintains the CE pin voltage to be low.

ABSOLUTE MAXIMUM RATINGS

PARAMETER		SYMBOL	RATINGS	UNITS
Input Voltage		V_{IN}	$V_{SS}-0.3 \sim V_{SS}+7.0$	V
Output Current		I_{OUT}	500 ^{(*)1}	mA
Output Voltage		V_{OUT}	$V_{SS}-0.3 \sim V_{IN}+0.3$	V
CE Input Voltage		V_{CE}	$V_{SS}-0.3 \sim V_{SS}+7.0$	V
Power Dissipation	SOT-25J	P_d	200	mW
			500 (PCB mounted) ^{(*)2}	
Operating Temperature Range		T_{opr}	-40 ~ +85	°C
Storage Temperature Range		T_{stg}	-55 ~ +125	°C

(*)1 $I_{OUT} = P_d / (V_{IN} - V_{OUT})$

(*)2 This is a reference data taken by using the test board.

ELECTRICAL CHARACTERISTICS

XC6228D Series

Ta=25°C

PARAMETER	SYMBOL	CONDITIONS	MIN.	TYP.	MAX.	UNITS	CIRCUITS
Output Voltage	$V_{OUT(E)}$ ⁽¹⁾	$V_{CE}=V_{IN}$, $I_{OUT}=10mA$	$V_{OUT(T)} \times 0.98$ ⁽²⁾	$V_{OUT(T)}$ ⁽²⁾	$V_{OUT(T)} \times 1.02$ ⁽²⁾	V	①
Maximum Output Current	I_{OUTMAX}	$V_{CE}=V_{IN}$	300	-	-	mA	①
Load Regulation	ΔV_{OUT}	$V_{CE}=V_{IN}$; $0.1mA \leq I_{OUT} \leq 300mA$	-	25	45	mV	①
Dropout Voltage	V_{dif} ⁽³⁾	$V_{CE}=V_{IN}$, $I_{OUT}=300mA$	-	E-1		mV	①
Supply Current	I_{SS}	$V_{CE}=V_{IN}$	-	100	220	μA	②
Stand-by Current	I_{STB}	$V_{CE}=V_{SS}$	-	0.01	0.4	μA	②
Line Regulation	$\frac{\Delta V_{OUT}}{(\Delta V_{IN} \cdot V_{OUT})}$	$V_{OUT(T)}+0.5V \leq V_{IN} \leq 5.5V$ $V_{CE}=V_{IN}$, $I_{OUT}=50mA$	-	0.01	0.1	%/V	①
Input Voltage	V_{IN}	-	1.6	-	5.5	V	①
Output Voltage Temperature Characteristics	$\frac{\Delta V_{OUT}}{(\Delta T_{OP} \cdot V_{OUT})}$	$V_{CE}=V_{IN}$, $I_{OUT}=10mA$ $-40^{\circ}C \leq T_a \leq 85^{\circ}C$	-	± 100	-	ppm/°C	①
Ripple Rejection Rate	PSRR	$V_{OUT(T)} < 2.5V$ $V_{IN}=3.0V_{DC}+0.5V_{p-pAC}$ $V_{CE}=V_{OUT(T)}+1.0V$ $I_{OUT}=30mA$, $f=1kHz$ $V_{OUT(T)} \geq 2.5V$ $V_{IN}=[V_{OUT(T)}+1.0]V_{DC}+0.5V_{p-pAC}$ $V_{CE}=V_{OUT(T)}+1.0V$ $I_{OUT}=30mA$, $f=1kHz$	-	80	-	dB	③
Current Limit	I_{LIM}	$V_{CE}=V_{IN}$	310	400	-	mA	①
Short Current	I_{SHORT}	$V_{CE}=V_{IN}$, $V_{OUT}=V_{SS}$	-	50	-	mA	①
CE High Level Voltage	V_{CEH}	-	1.0	-	5.5	V	④
CE Low Level Voltage	V_{CEL}	-	0	-	0.3	V	
CE High Level Current	I_{CEH}	$V_{CE}=V_{IN}=5.5V$	3.0	5.5	9.0	μA	④
CE High Level Current	I_{CEL}	$V_{CE}=V_{SS}$	-0.1	-	0.1	μA	④
CL Discharge Resistance	R_{DCHG}	$V_{IN}=5.5V$, $V_{OUT}=2.0V$, $V_{CE}=V_{SS}$	-	300	-	Ω	①

NOTE:

Unless otherwise stated regarding input voltage conditions, $V_{IN}=V_{OUT(T)}+1.0V$.

(*1) $V_{OUT(E)}$: Effective output voltage

(i.e. the output voltage when " $V_{OUT(T)}+1.0V$ " is provided at the V_{IN} pin while maintaining a certain I_{OUT} value.)

(*2) $V_{OUT(T)}$: Nominal output voltage

(*3) $V_{dif}=V_{IN1}-V_{OUT1}$ ($V_{IN1} \geq 1.6V$)

V_{IN1} =The input voltage when V_{OUT1} appears as input voltage is gradually decreased.

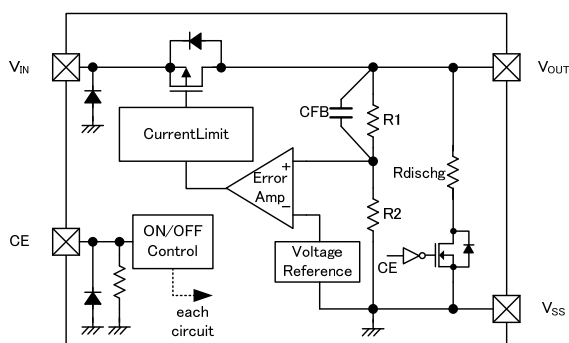
V_{OUT1} =A voltage equal to 98% of the output voltage whenever an amply stabilized $V_{OUT(T)}+1.0V$ is input for every I_{OUT} .

OUTPUT VOLTAGE CHART

Voltage Chart 1

NOMINAL OUTPUT VOLTAGE (V)	OUTPUT VOLTAGE (V)		DROPOUT VOLTAGE (mV) E-1	
$V_{OUT(T)}$	$V_{OUT(E)}$		Vdif	
	MIN.	MAX.	TYP.	MAX.
1.20	1.176	1.224	480	630
1.50	1.470	1.530	420	460
1.80	1.764	1.836	300	410
2.50	2.450	2.550	240	350
2.80	2.744	2.856		
3.00	2.940	3.060	200	305
3.10	3.038	3.162		
3.30	3.234	3.366		

OPERATIONAL EXPLANATION



The voltage divided by resistors R1 & R2 is compared with the internal reference voltage by the error amplifier. The P-channel MOSFET which is connected to the V_{OUT} pin is then driven by the subsequent output signal. The output voltage at the V_{OUT} pin is controlled and stabilized by a system of negative feedback. The current limit circuit and short circuit protection operate in relation to the level of output current and heat dissipation. Further, the IC's internal circuitry can be shutdown via the CE pin signal.

<Low ESR Capacitor>

The XC6228 series needs an output capacitor C_L for phase compensation. Please place an output capacitor (C_L) at the output pin (V_{OUT}) and the ground pin (V_{SS}) as close as possible. Please use the output capacitor (C_L) is 1.0 μF or larger. For a stable power input, please connect an input capacitor (C_{IN}) of 1.0 μF between the V_{IN} pin and the V_{SS} pin.

<Current Limiter, Short-Circuit Protection>

The XC6228 has current limiter and droop shape of fold-back circuit. When the load current reaches the current limit, the droop current limiter circuit operates and the output voltage drops. When the output voltage dropped, the fold-back circuit operates and the output current goes to decrease. The output current finally falls at the level of 50mA when the output pin is short-circuited.

<CE Pin>

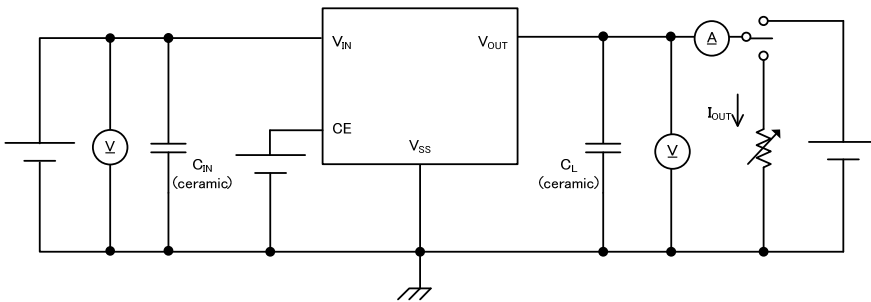
The IC's internal circuitry can be shutdown via the signal from the CE pin. In shutdown mode, the XC6228 series enables the electric charge at the output capacitor (C_L) to be discharged via the internal switch located between the V_{OUT} and V_{SS} pins, and as a result the V_{OUT} pin quickly returns to the V_{SS} level. The XC6228 series has a pull-down resistor at the CE pin inside, so that the CE pin input current flows.

NOTES ON USE

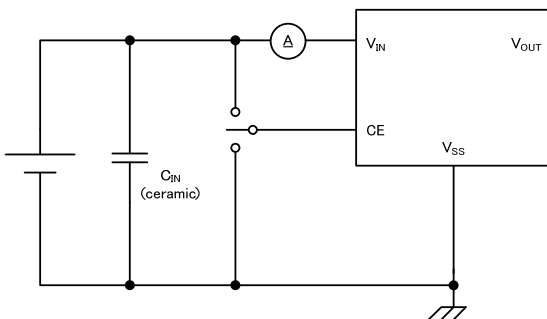
- 1 . For temporary, transitional voltage drop or voltage rising phenomenon, the IC is liable to malfunction should the ratings be exceeded.
- 2 . Where wiring impedance is high, operations may become unstable due to the noise and/or phase lag depending on output current. Please strengthen V_{IN} and V_{SS} wiring in particular.
- 3 . The input capacitor C_{IN} and the output capacitor C_L should be placed to the as close as possible with a shorter wiring.
- 4 . Torex places an importance on improving our products and its reliability. However, by any possibility, we would request user fail-safe design and post-aging treatment on system or equipment.

TEST CIRCUITS

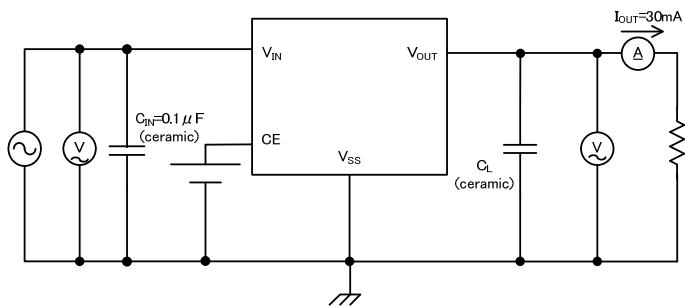
Circuit



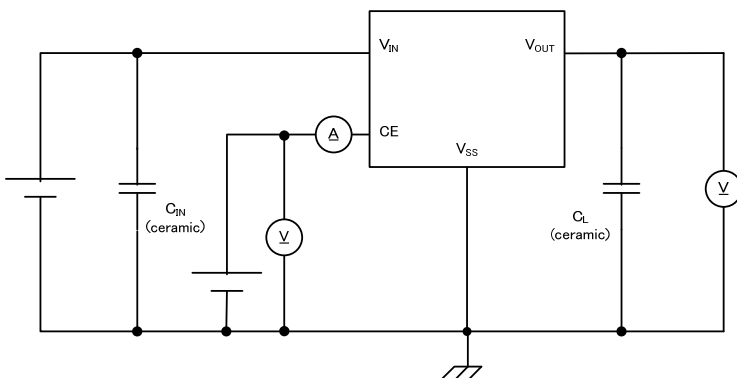
Circuit



Circuit

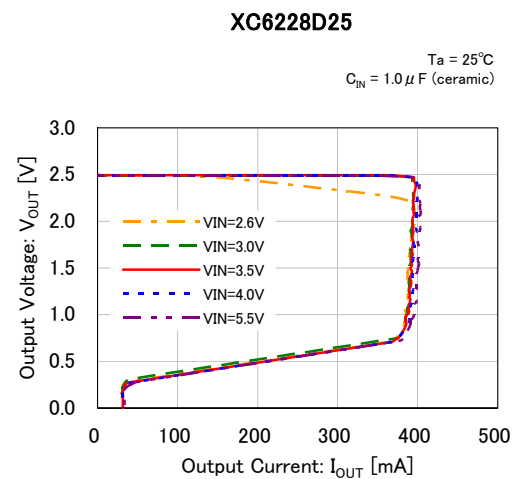
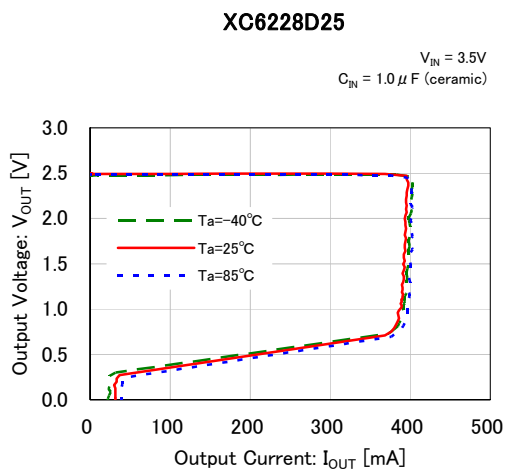
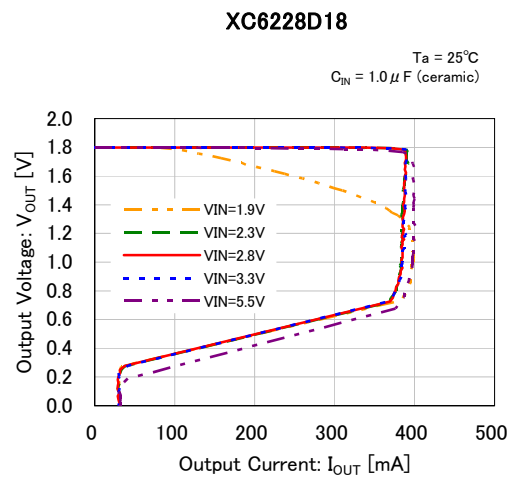
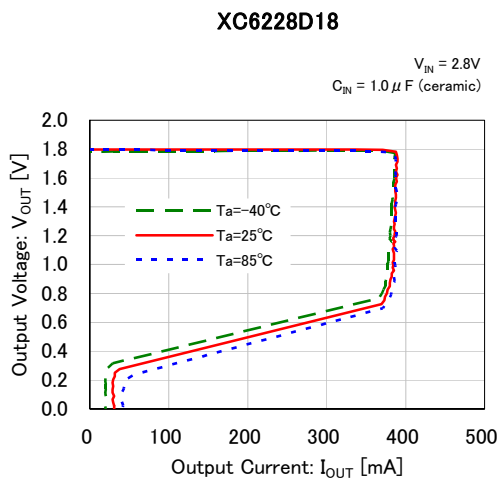
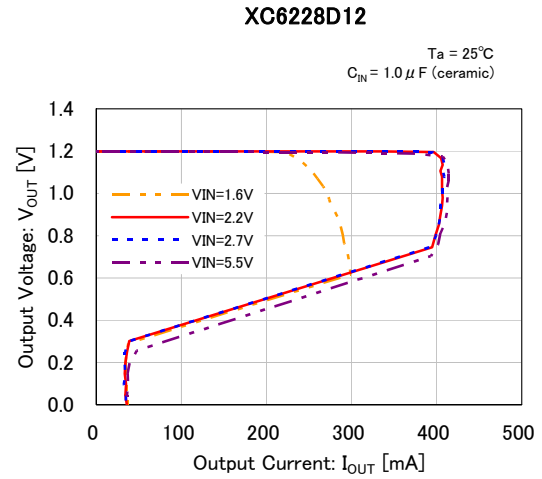
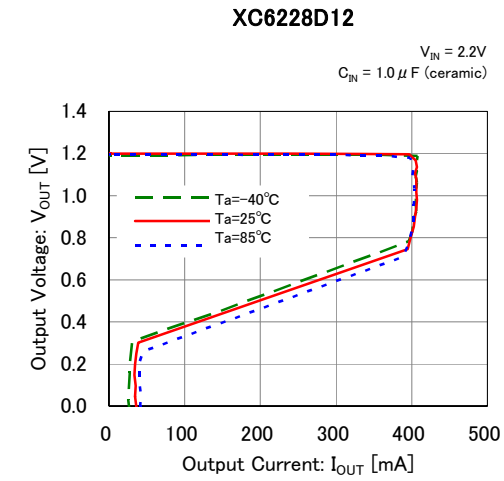


Circuit



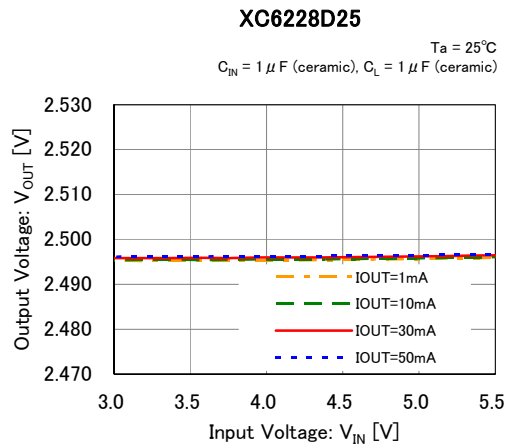
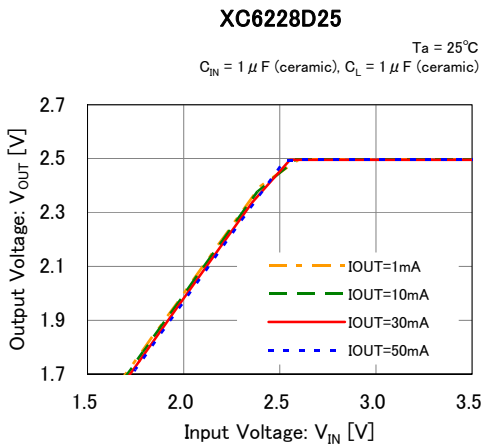
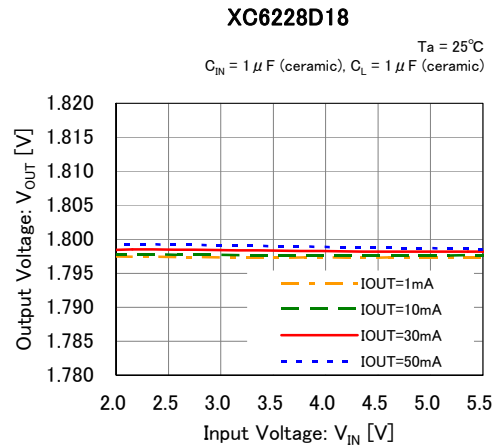
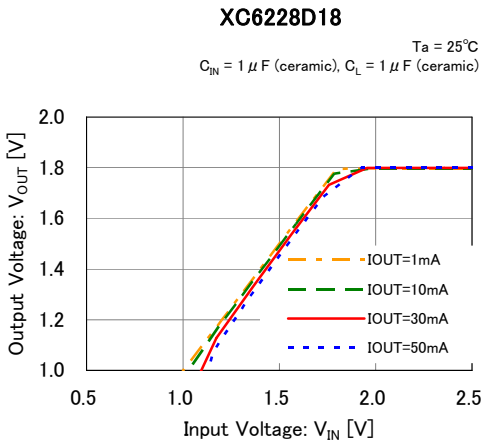
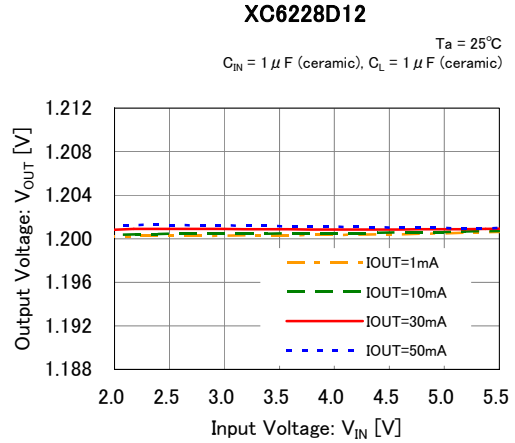
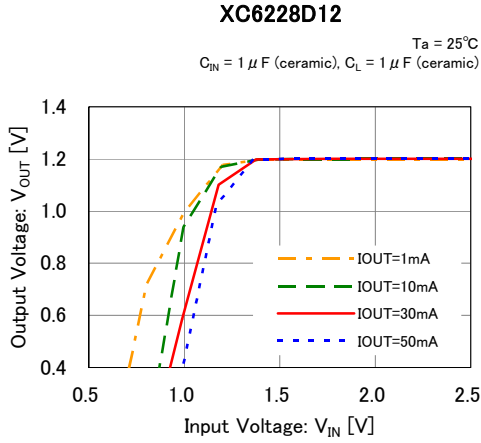
TYPICAL PERFORMANCE CHARACTERISTICS

(1) Output Voltage vs. Output Current



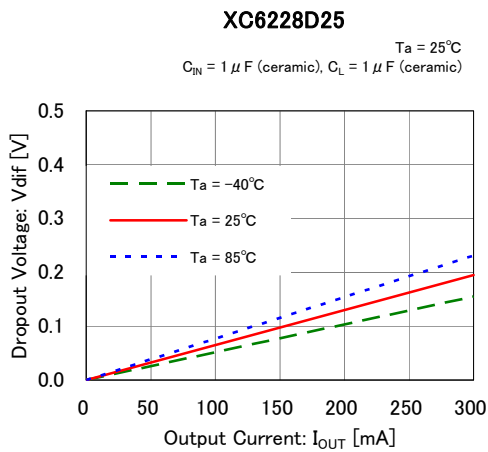
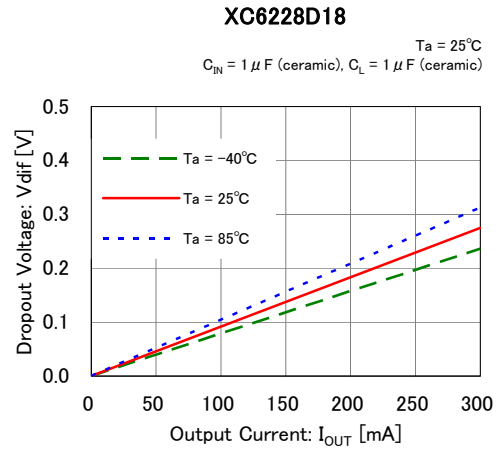
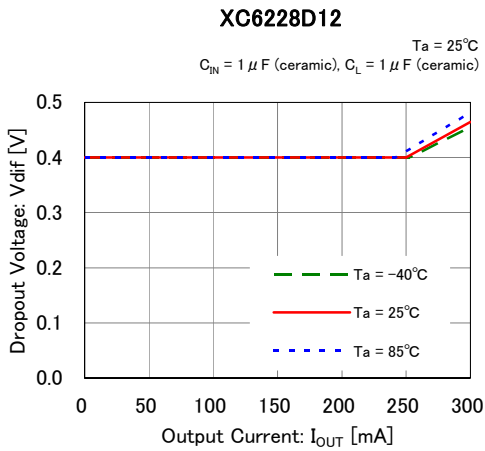
TYPICAL PERFORMANCE CHARACTERISTICS (Continued)

(2) Output Voltage vs. Input Voltage

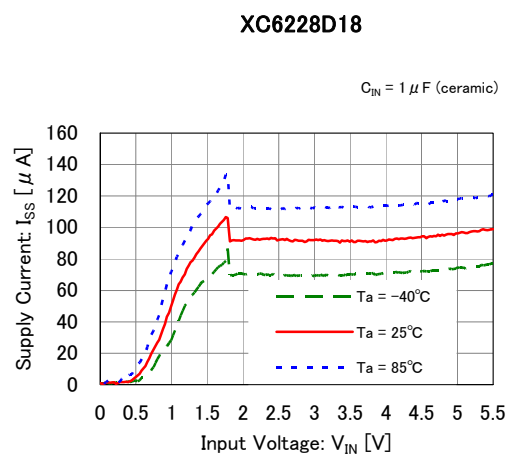
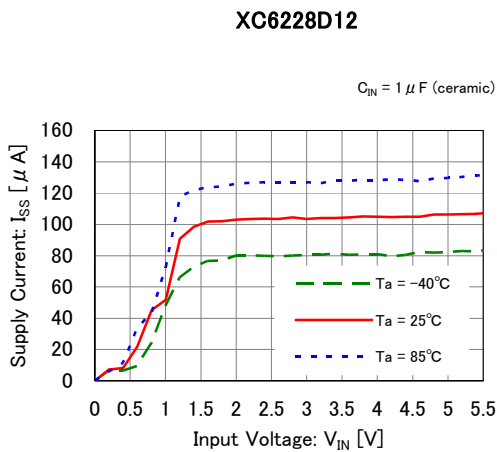


TYPICAL PERFORMANCE CHARACTERISTICS (Continued)

(3) Dropout Voltage vs. Output Current

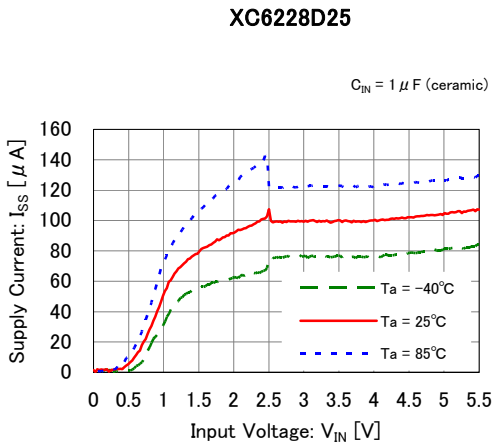


(4) Supply Current vs. Input Voltage

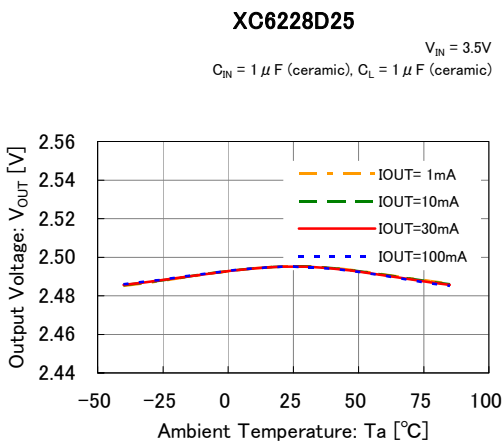
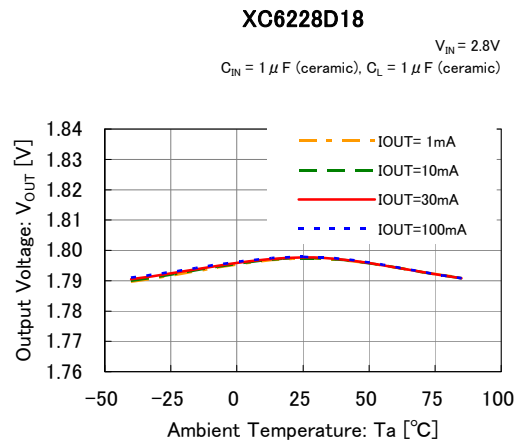
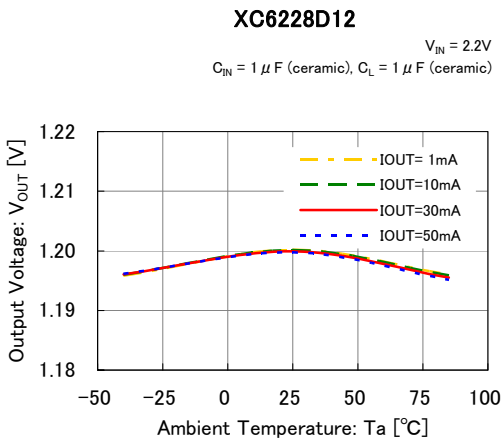


TYPICAL PERFORMANCE CHARACTERISTICS (Continued)

(4) Supply Current vs. Input Voltage (Continued)

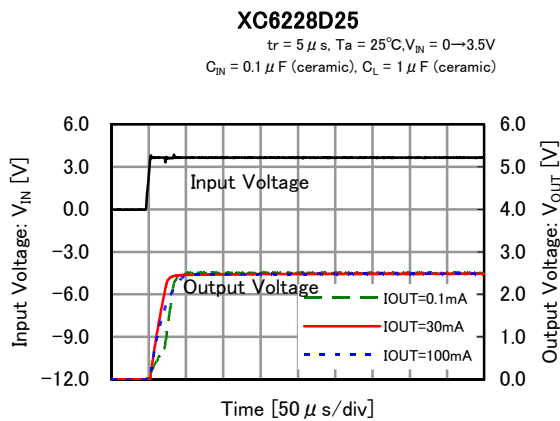
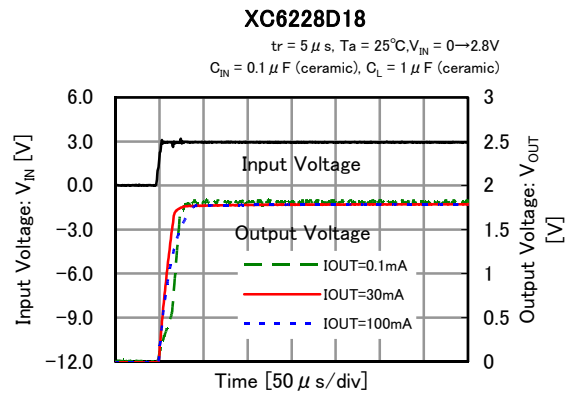
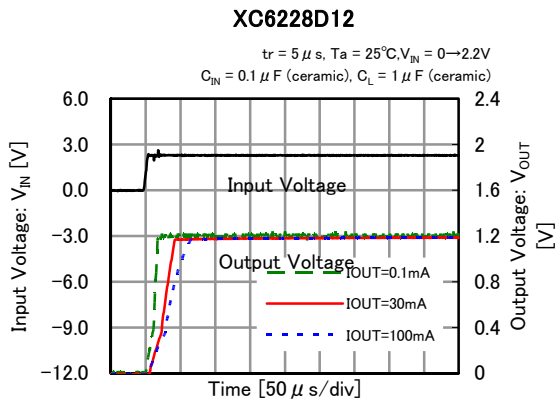


(5) Output Voltage vs. Ambient Temperature

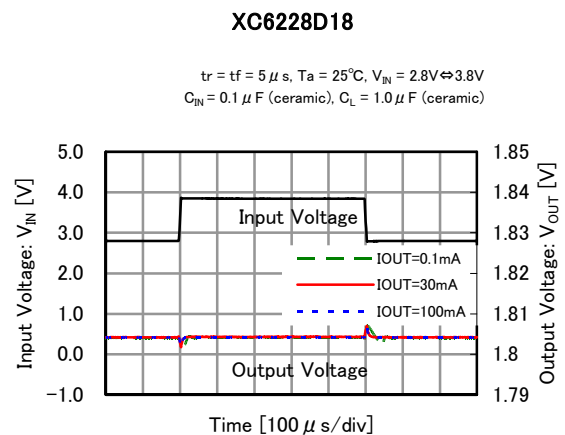
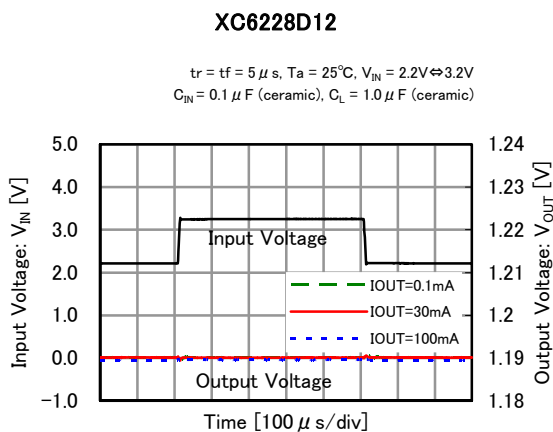


TYPICAL PERFORMANCE CHARACTERISTICS (Continued)

(6) Rising Response Time

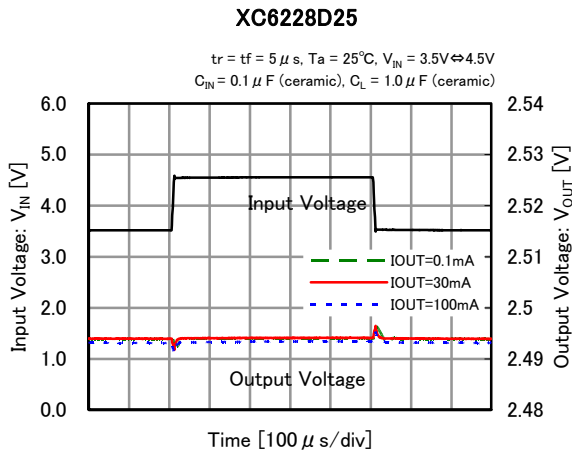


(7) Input Transient Response

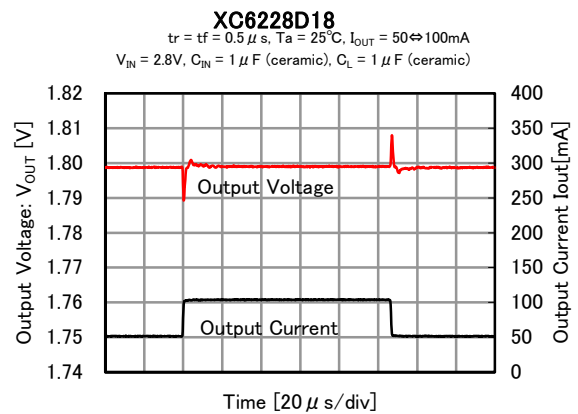
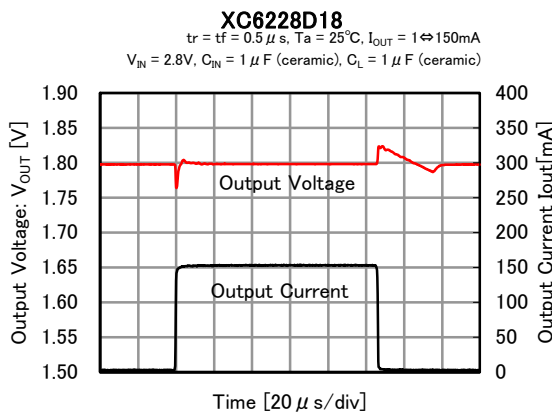
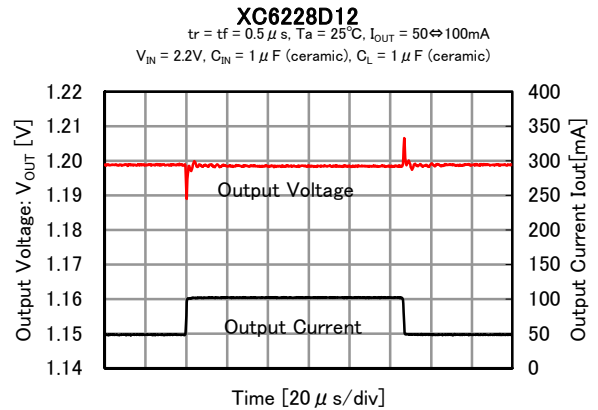
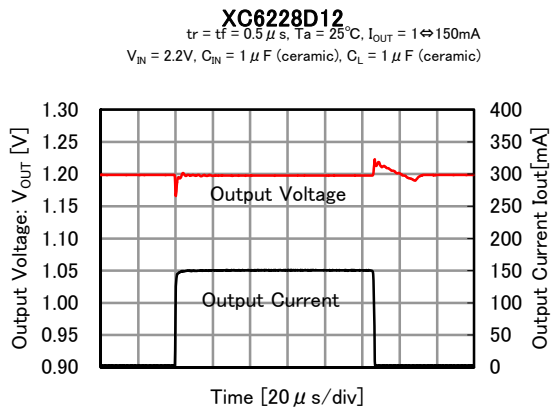


TYPICAL PERFORMANCE CHARACTERISTICS (Continued)

(7) Input Transient Response (Continued)

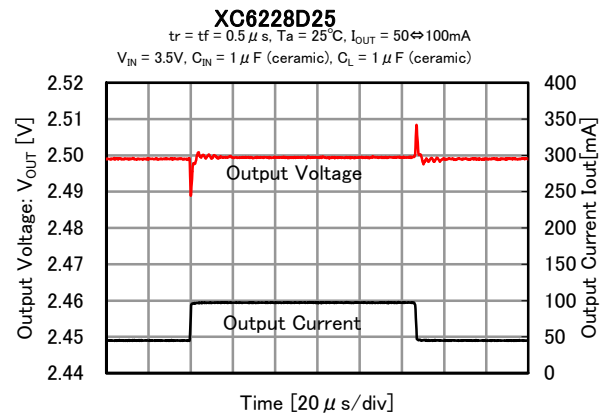
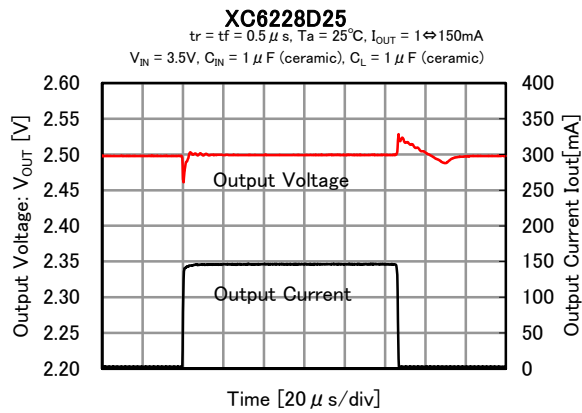


(8) Load Transient Response ($t_r=t_f=0.5 \mu s$)

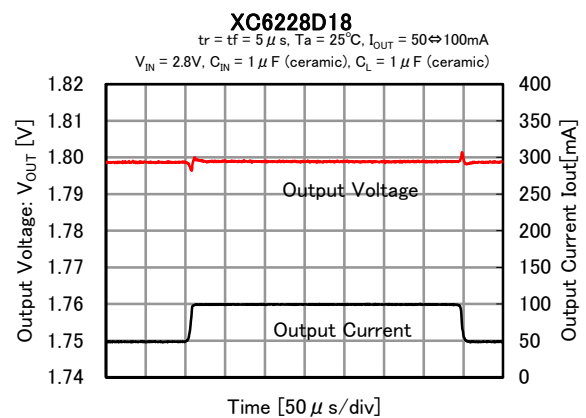
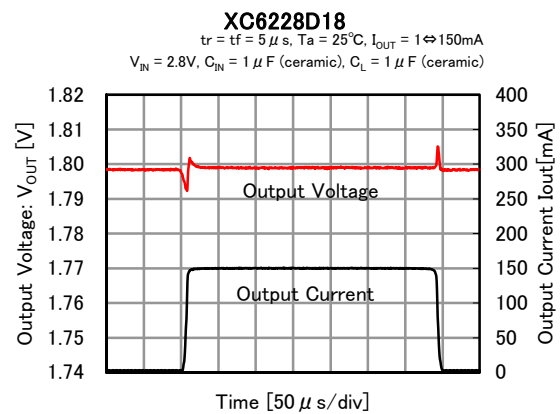
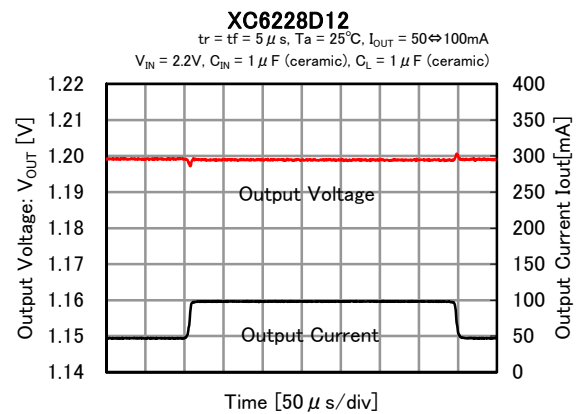
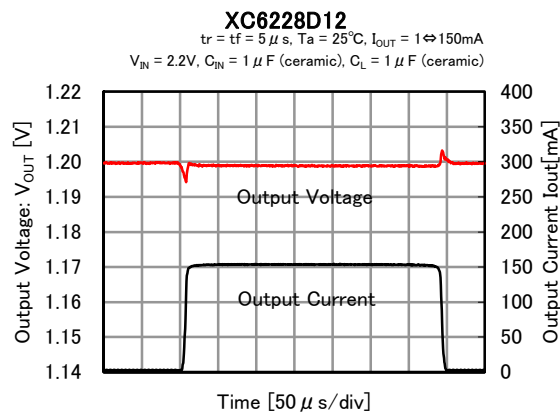


TYPICAL PERFORMANCE CHARACTERISTICS (Continued)

(8) Load Transient Response ($t_r=t_f=0.5\ \mu\text{s}$) (Continued)

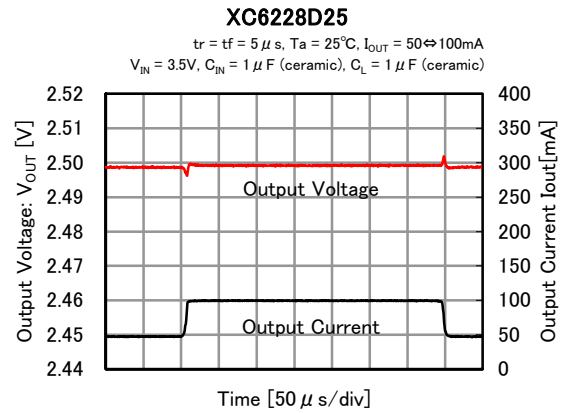
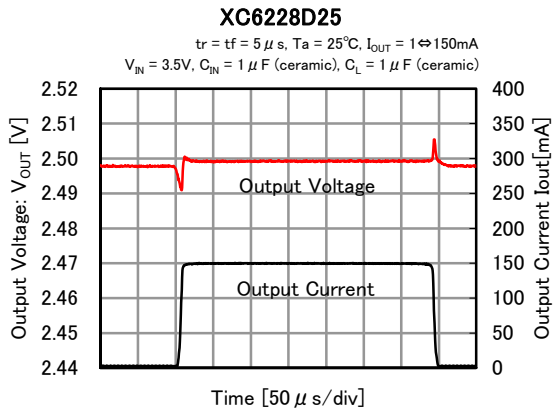


(9) Load Transient Response ($t_r=t_f=5\ \mu\text{s}$)

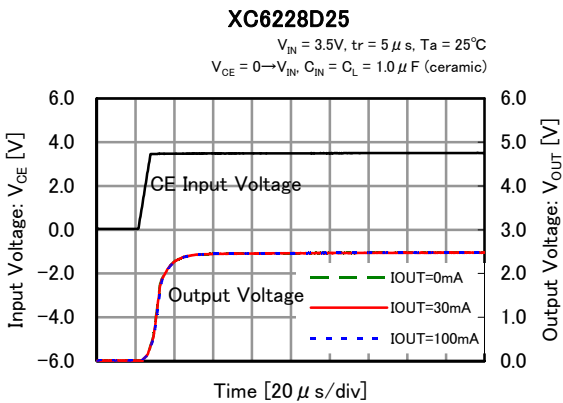
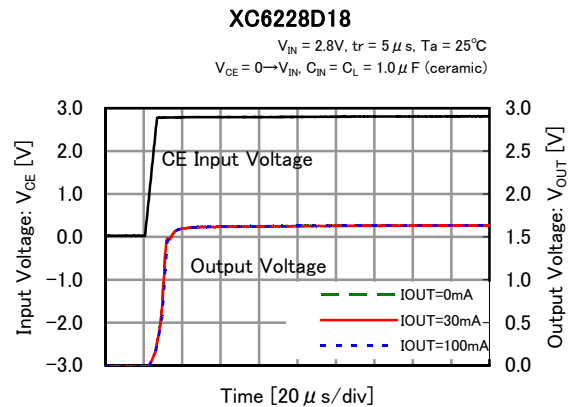
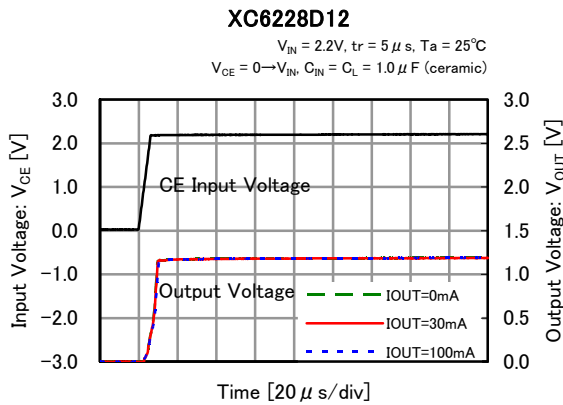


TYPICAL PERFORMANCE CHARACTERISTICS (Continued)

(9) Load Transient Response ($t_r=t_f=5\mu s$) (Continued)



(10) CE Rising Response Time

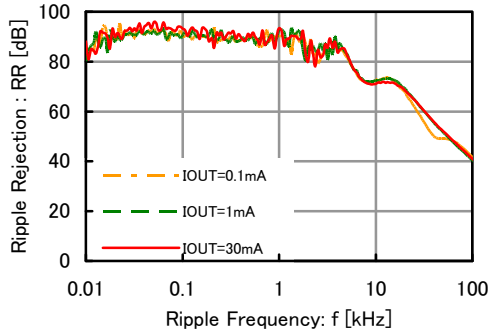


TYPICAL PERFORMANCE CHARACTERISTICS (Continued)

(11) Ripple Rejection Rate

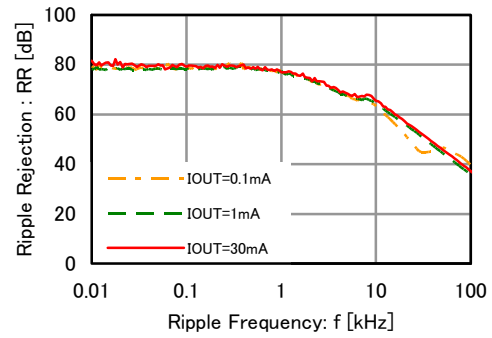
XC6228D12

Ta = 25°C, VIN = 3.0VDC+0.5Vp-pAC
CIN = 0.1 μF (ceramic), CL = 1 μF (ceramic)



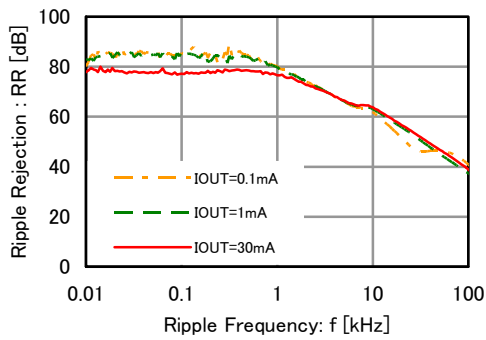
XC6228D18

Ta = 25°C, VIN = 3.0VDC+0.5Vp-pAC
CIN = 0.1 μF (ceramic), CL = 1 μF (ceramic)



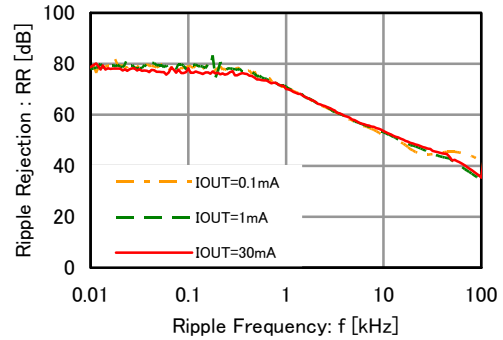
XC6228D25

Ta = 25°C, VIN = 3.5VDC+0.5Vp-pAC
CIN = 0.1 μF (ceramic), CL = 1 μF (ceramic)



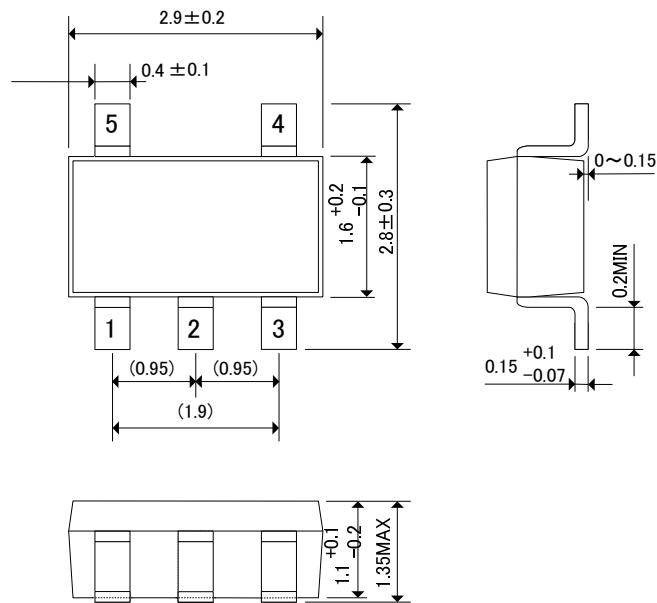
XC6228D33

Ta = 25°C, VIN = 4.3VDC+0.5Vp-pAC
CIN = 0.1 μF (ceramic), CL = 1 μF (ceramic)



PACKAGING INFORMATION

● SOT-25J



PACKAGING INFORMATION (Continued)

● SOT-25J Power Dissipation

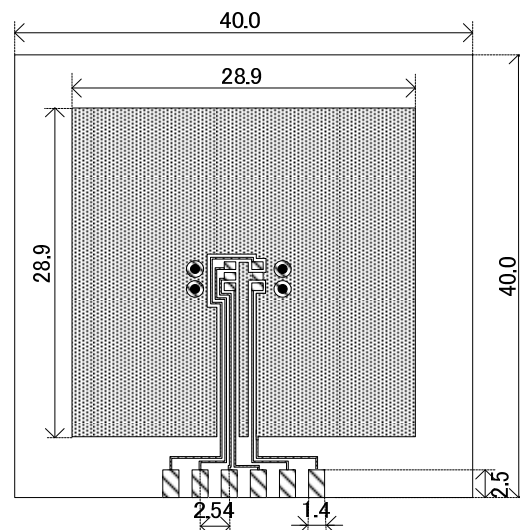
Power dissipation data for the SOT-25J is shown in this page.

The value of power dissipation varies with the mount board conditions.

Please use this data as one of reference data taken in the described condition.

1. Measurement Condition (Reference data)

- Condition: Mount on a board
- Ambient: Natural convection
- Soldering: Lead (Pb) free
- Board: Dimensions 40 x 40 mm (1600 mm² in one side)
Copper (Cu) traces occupy 50% of the board area
In top and back faces
Package heat-sink is tied to the copper traces
(Board of SOT-26 is used.)
- Material: Glass Epoxy (FR-4)
- Thickness: 1.6 mm
- Through-hole: 4 x 0.8 Diameter

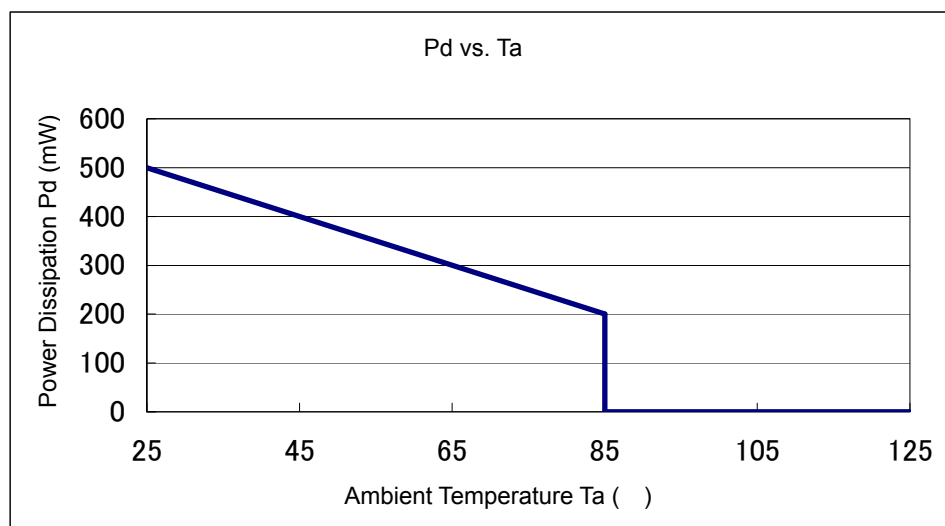


Evaluation Board (Unit: mm)

2. Power Dissipation vs. Ambient temperature

Board Mount ($T_j \text{ max} = 125$)

Ambient Temperature (°C)	Power Dissipation Pd (mW)	Thermal Resistance (°C/W)
25	500	200.00
85	200	



MARKING RULE

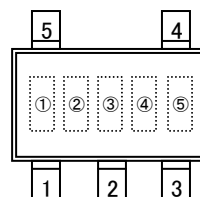
●SOT-25J

represents product series.

MARK	PRODUCT SERIES
9	XC6228*****-G

represents type of regulator and combination of output voltage.

MARK	PRODUCT SERIES
P	XC6228D*****-G



SOT-25J
(TOP VIEW)

③ represents output voltage.

MARK	OUTPUT VOLTAGE (V)	PRODUCT SERIES
2	1.2	XC6228*12***-G
5	1.5	XC6228*15***-G
8	1.8	XC6228*18***-G
F	2.5	XC6228*25***-G
L	2.8	XC6228*28***-G
N	3.0	XC6228*30***-G
P	3.1	XC6228*31***-G
S	3.3	XC6228*33***-G

④⑤ represents production lot number.

01 to 09, 0A to 0Z, 11 to 9Z, A1 to A9, AA to Z9, ZA to ZZ in order.

(G, I, J, O, Q, W excepted)

*No character inversion used.

1. The products and product specifications contained herein are subject to change without notice to improve performance characteristics. Consult us, or our representatives before use, to confirm that the information in this datasheet is up to date.
2. We assume no responsibility for any infringement of patents, patent rights, or other rights arising from the use of any information and circuitry in this datasheet.
3. Please ensure suitable shipping controls (including fail-safe designs and aging protection) are in force for equipment employing products listed in this datasheet.
4. The products in this datasheet are not developed, designed, or approved for use with such equipment whose failure or malfunction can be reasonably expected to directly endanger the life of, or cause significant injury to, the user.
(e.g. Atomic energy; aerospace; transport; combustion and associated safety equipment thereof.)
5. Please use the products listed in this datasheet within the specified ranges.
Should you wish to use the products under conditions exceeding the specifications, please consult us or our representatives.
6. We assume no responsibility for damage or loss due to abnormal use.
7. All rights reserved. No part of this datasheet may be copied or reproduced without the prior permission of TOREX SEMICONDUCTOR LTD.

TOREX SEMICONDUCTOR LTD.

X-ON Electronics

Largest Supplier of Electrical and Electronic Components

Click to view similar products for [LDO Voltage Regulators](#) category:

Click to view products by [Torex Semiconductor](#) manufacturer:

Other Similar products are found below :

[AP7363-SP-13](#) [L79M05TL-E](#) [AP7362-HA-7](#) [PT7M8202B12TA5EX](#) [TCR3DF185,LM\(CT](#) [TCR3DF45,LM\(CT](#) [TLE4473G V52](#) [059985X](#)
[NCP4687DH15T1G](#) [701326R](#) [NCV8170AXV250T2G](#) [SCD337BTG](#) [AP7315-25W5-7](#) [AP2111H-1.2TRG1](#) [ZLDO1117QK50TC](#) [AZ1117ID-](#)
[ADJTRG1](#) [TCR3DG12,LF](#) [MIC5514-3.3YMT-T5](#) [SCD7912BTG](#) [NCP154MX180270TAG](#) [SCD33269T-5.0G](#) [NCV8170BXV330T2G](#)
[NCV8170BMX330TCG](#) [NCV8170AMX120TCG](#) [NCP706ABMX300TAG](#) [NCP153MX330180TCG](#) [NCP114BMX075TCG](#) [MC33269T-3.5G](#)
[CAT6243-ADJCMT5T](#) [TCR3DG33,LF](#) [TCR4DG35,LF](#) [TAR5S15U\(TE85L,F\)](#) [TAR5S18U\(TE85L,F\)](#) [TCR3UG19A,LF](#) [TCR4DG105,LF](#)
[MPQ2013AGG-5-P](#) [NCV8170AMX360TCG](#) [TLE4268GSXUMA2](#) [NCP715SQ15T2G](#) [MIC5317-3.0YD5-T5](#) [NCV563SQ18T1G](#)
[NCP715MX30TBG](#) [NCV8702MX25TCG](#) [NCV8170BXV120T2G](#) [MIC5317-1.2YD5-T5](#) [NCV8170AMX150TCG](#) [NCV8170BMX150TCG](#)
[AP2213D-3.3TRG1](#) [NCV8170BMX120TCG](#) [NCV8170BMX310TCG](#)