

# 40W Weather proof\_1200 Linkable

Authorized Licensee for TOSHIBA trademark



## 1. Specification:

### A. General Data

| Model                                   | 40W 1200 Linkable<br>4000K | 40W 1200 Linkable<br>5000K |
|---|----------------------------|----------------------------|
| P/N                                     | DELL-WP44040A2F032         | DELL-WP54040A2F032         |
| Westnet Code                            | 00172942                   | 00172943                   |
| Rated Voltage                           | 230 VAC                    | 230 VAC                    |
| Frequency                               | 50 Hz                      | 50 Hz                      |
| Rated Wattage                           | 40 W                       | 40 W                       |
| Deviation Tolerance<br>of Rated Wattage | ±10 %                      | ±10 %                      |
| Displacement factor<br>(cos φ1)*        | 0.9                        | 0.9                        |
| Rated Current                           | 0.18A                      | 0.18A                      |
| Maximum Input Current                   | 0.21A                      | 0.21A                      |
| Start On                                | ≤0.5                       | ≤0.5                       |
| Warm up time                            | <1S                        | <1S                        |
| Dimmable                                | NO                         | NO                         |
| Beam Angle                              | 130°                       | 130°                       |
| Peak luminous intensity (cd)            | No Claimed                 | No Claimed                 |
| R9 CRI                                  | >1                         | >1                         |
| Survival factor                         | 90%                        | 90%                        |
| Safety requirements                     | CE                         | CE                         |
| Stroboscopic effect metric<br>(SVM)**   | ≤ 0.4                      | ≤ 0.4                      |
| Flicker metric (PstLM)**                | ≤ 1                        | ≤ 1                        |
| Energy Efficiency Class(EEC)            | E                          | E                          |

|                                  |         |         |
|----------------------------------|---------|---------|
| <b>Ingress protection rating</b> | IP65    | IP65    |
| <b>Impact resistance</b>         | IK08    | IK08    |
| <b>Exchangeable LED Module</b>   | NO      | NO      |
| <b>Photobiological Group</b>     | RG0     | RG0     |
| <b>Safety class</b>              | II      | II      |
| <b>Linkable connection</b>       | 16      | 16      |
| <b>Type of Installation</b>      | Ceiling | Ceiling |

### B. Light Data

|                                |                                 |                |
|--------------------------------|---------------------------------|----------------|
| <b>Color</b>                   | Neutral White                   | Daylight       |
| <b>Color Temperature (CCT)</b> | 4000K                           | 5000K          |
| <b>Total Lumen Output*</b>     | <b>4600 lm</b>                  | <b>4600 lm</b> |
| <b>Color Rendering Index*</b>  | 80                              |                |
| <b>Efficacy ( Total )*</b>     | 115 lm/W                        |                |
| <b>Color Consistency**</b>     | 6 Step MacAdam Ellipse (6 SDCM) |                |

\* tolerance +/- 10%

\*\* 4000K center point (0.38177, 0.37959) ; 5000K center point (0.34464, 0.35506)

### C. Lifetime

(Supplied Voltage: AC230V; Ambient Temperature: 25°C)

|  |                           |
|--|---------------------------|
| <b>Lumen Maintenance Factor</b>                              | 70% of the rated lifetime |
| <b>Rated Lifetime – L<sub>70</sub>B<sub>50</sub> at 25°C</b> | 50,000 hrs                |
| <b>Lumen Maintenance factor</b>                              | 96%                       |

### D. Temperature Operation

|                                     |              |
|-------------------------------------|--------------|
| <b>Normal operation temperature</b> | -20°C ~ 40°C |
| <b>Relative Humidity</b>            | 10% ~ 90%    |

### E. Geometric Data

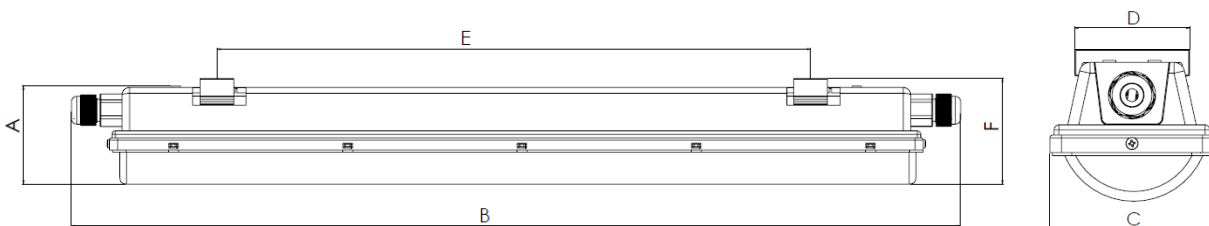
|                  |              |
|------------------|--------------|
| <b>length</b>    | 1270 ± 10 mm |
| <b>width</b>     | 85 ± 5 mm    |
| <b>thickness</b> | 70 ± 5 mm    |
| <b>Mass</b>      | 1.36 kg      |

### F. Environmental relevant materials

|  |                                       |
|--|---------------------------------------|
| <b>Mercury (Hg)</b>                          | Comply with RoHS Directive 2011/65/EU |
| <b>Lead (Pb)</b>                             |                                       |
| <b>Cadmium(Cd)</b>                           |                                       |
| <b>Hexavalent Chromium(Cr6+)</b>             |                                       |
| <b>Polybrominated Biphenyls(PBBs)</b>        |                                       |
| <b>Polybrominated Diphenyl Ethers(PBDEs)</b> |                                       |
| <b>Bis (2-ethylhexyl) phthalate(DEHP)</b>    |                                       |
| <b>Butyl benzyl phthalate(BBP)</b>           |                                       |
| <b>Dibutyl phthalate(DBP)</b>                |                                       |
| <b>Diisobutyl phthalate(DIBP)</b>            |                                       |

## 2. Outline Drawing

Unit : mm



| Size | Distance(mm) |
|------|--------------|
| A    | 70           |
| B    | 1270         |
| C    | 85           |
| D    | 46.5         |
| E    | 905          |
| F    | 77           |

### Material Information

1. Cover: Plastic
2. Base: Plastic
3. Clips: Stainless

### 3. Installation Instructions

#### Mounting Instruction

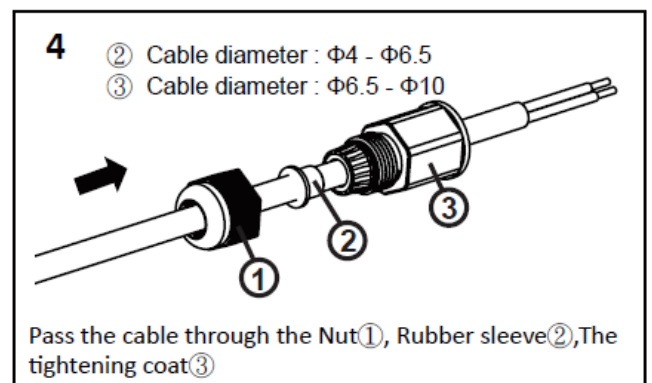
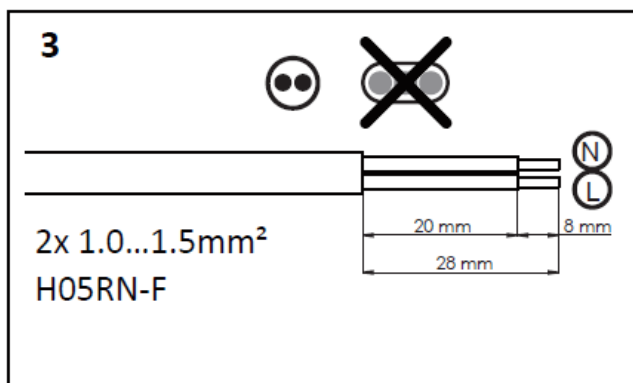
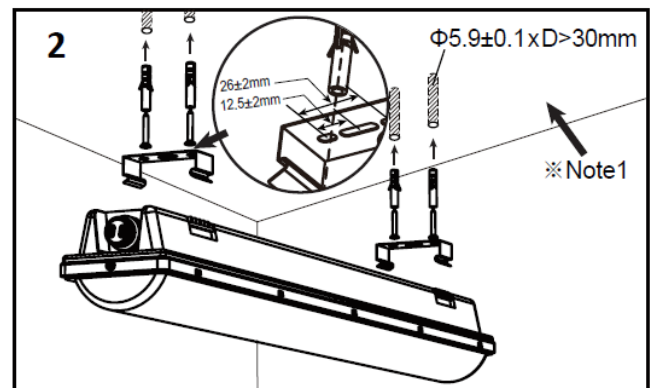
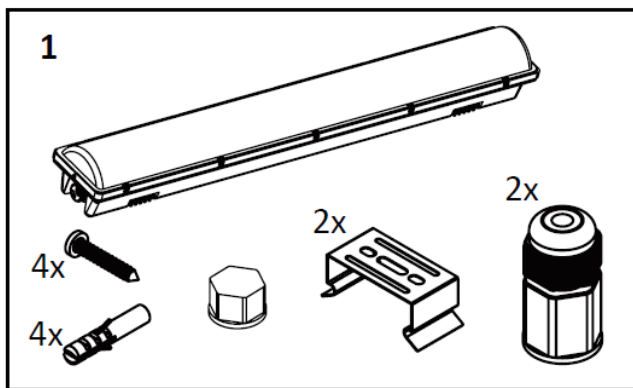


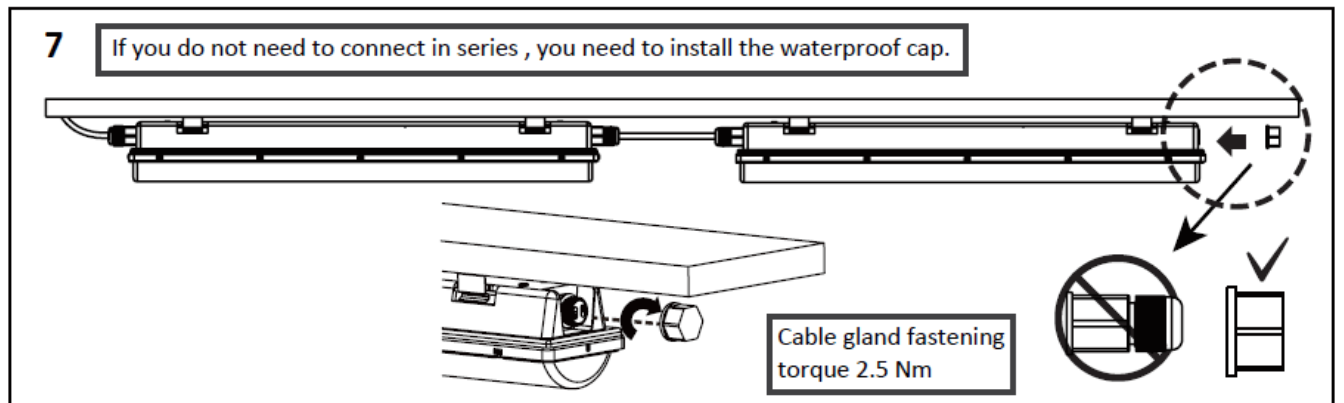
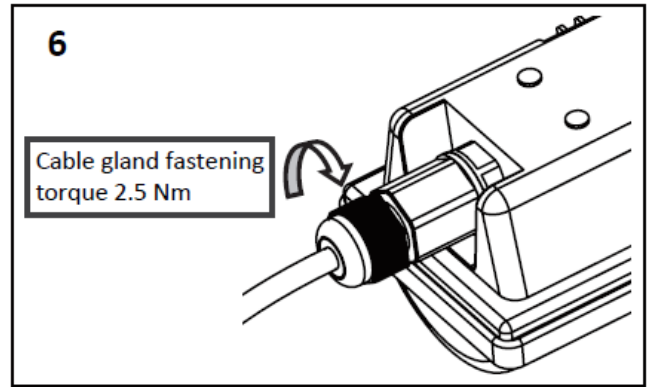
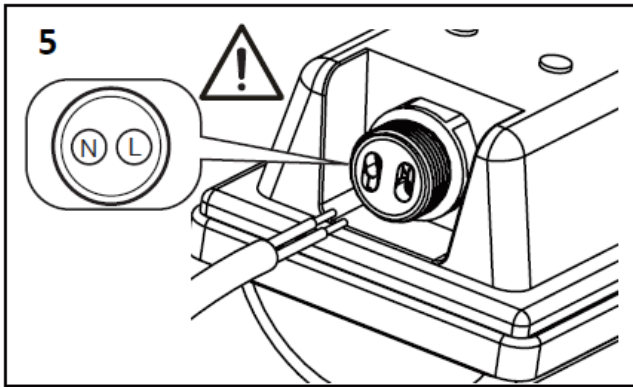
Warnings:

1. Turn off the main power at the circuit breaker before installing the fixture in order to prevent possible electric shock.
2. Do not touch electronic components!  
Electronic components maybe under high voltage.
3. The light source contained in this luminaire shall only be replaced by the manufacturer or his service agent or a similar qualified electrician.
4. Do not stare into LED light beam.
5. The luminaire shall be installed by a qualified electrician and wired in accordance with the latest IEE electrical regulations or the national requirements.
6. Suitability for use indoor including in related ambient temperature or Outdoor-temporary use( $t_a=40^{\circ}\text{C MAX}$ ).
7. Do not use in an atmosphere where the fixtures are exposed to gasses of Sulfur or Chloride components. Otherwise, it may cause to pollute their LEDs and not to light.
8. Do not use in an atmosphere where Chemicals adhere to the fixtures. Otherwise, it may cause to accelerate some degradations of its Plastic body and to fall down.
9. This fixture is only for Downward Lighting



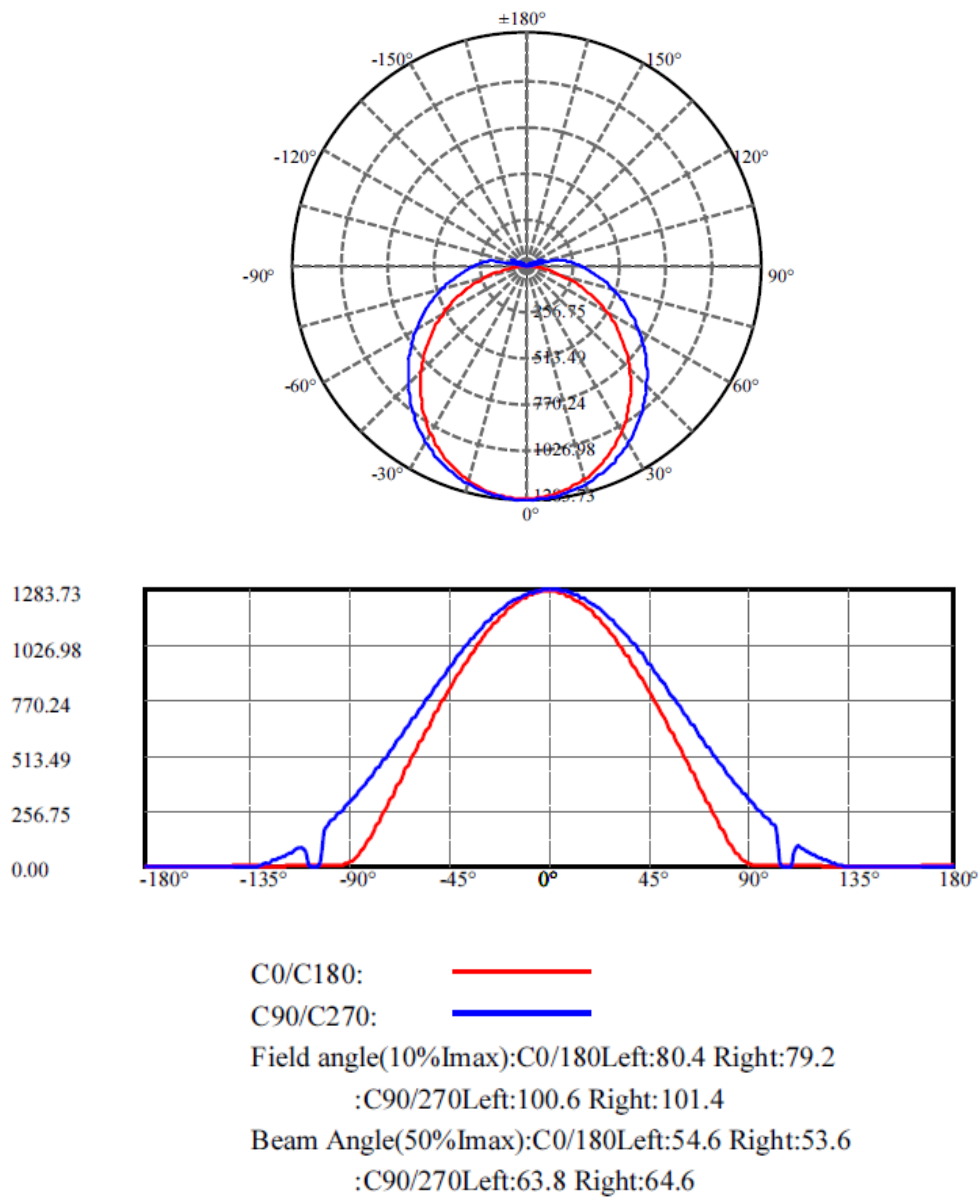
Caution, risk of electric shock



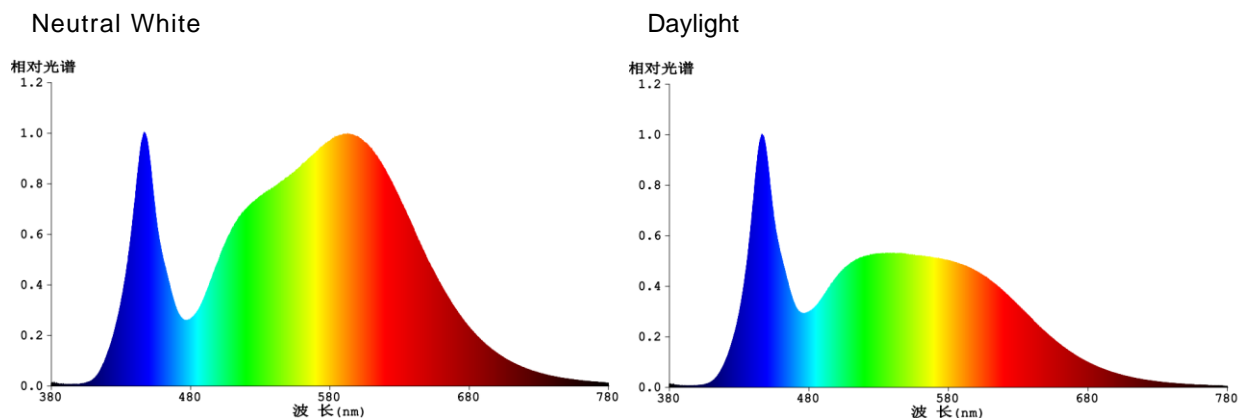


※Note1: For use in brick, concrete, natural stone, solid wall, hard solid object, etc. Application on most building materials.

### 4. Light Distribution Curve



### 5. Spectrum Distribution



## 6. Warnings

- Before replacing, turn off power and let lamp cool to avoid electrical shock or burn.
- Do not touch electronic components, electronic components maybe under high voltage.
- Do not stare into LED light beam
- The luminaire shall be installed by a qualified electrician and wired in accordance with the latest IEE electrical regulations or the national requirements.

## 7. Notes

All characteristics are estimated at room temperature (25°C), free air burning, base up burning position and at rated voltage. In view of the complex manufacturing process for light above for the technical LED parameters are merely statistical values that do not necessarily correspond to the actual technic individual products may vary from the typical values.

## 8. Logistic information

| Model                     | 4ft 40W -Linkable<br>Neutral White | 4ft 40W -Linkable<br>Daylight |
|---------------------------|------------------------------------|-------------------------------|
| P/N                       | DELL-WP44040A2F032                 | DELL-WP54040A2F032            |
| Pieces per pack           | 1                                  | 1                             |
| EAN code on pack          | 4711112386314                      | 4711112386321                 |
| Size of pack              | 1245*90*79 mm                      | 1245*90*79 mm                 |
| Weight per pack (G.W)     | 1.8 kg                             | 1.6 kg                        |
| Packs per inner box       | N/A                                | N/A                           |
| EAN code on inner box     | N/A                                | N/A                           |
| ITF code on inner box     | N/A                                | N/A                           |
| Size of inner box         | N/A                                | N/A                           |
| Weight per inner box(G.W) | N/A                                | N/A                           |
| Packs per outer box       | 6                                  | 6                             |
| EAN code on outer box     | N/A                                | N/A                           |
| ITF code on outer box     | 14711112386311                     | 14711112386328                |
| Size of outer box         | 1260*175*290 mm                    |                               |
| Weight per outer box(G.W) | 12 kg                              |                               |

DELL-WP44040A2F032(4000K)



Package box

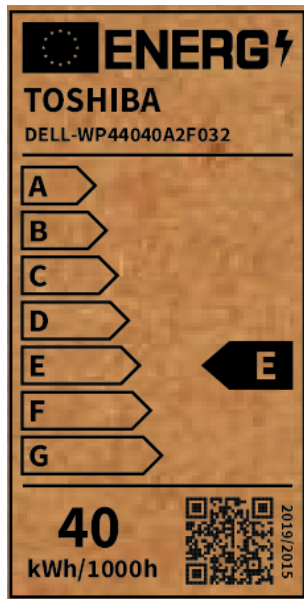
DELL-WP54040A2F032(5000K)



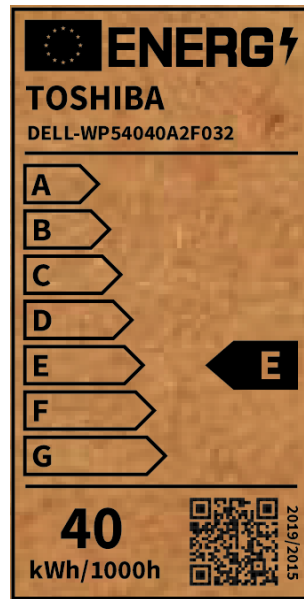


## 9. ERP Label

4000K



5000K



## 10. Conformity

|  |   |
|--|---|
| <b>2014/35/EU;</b><br><b>Low Voltage</b><br><b>Directive</b> | EN 60598-2-1:2021 used in conjunction with EN IEC 60598-1:20211<br>EN IEC 62031:2020 、 EN 62493:2015      |
| <b>2014/30/EU;</b><br><b>EMC Directive</b>                   | EN IEC 55015:2019+A11:2020 、 EN 61547:2009 、<br>EN IEC 61000-3-2:2019+A1:2021 、 EN 61000-3-3:2013+1A:2019 |
| <b>2009/125/EC;</b><br><b>ErP Directive</b>                  | (EU) 2019/2015 、 (EU) 2019/2020 、 (EU) 2021/340 、 (EU) 2021/341   |
| <b>2011/65/EU+(EU)2015/863;</b><br><b>RoHS Directive</b>     | EN 50581: 2012  |

## X-ON Electronics

Largest Supplier of Electrical and Electronic Components

*Click to view similar products for [LED Replacement Lamps - Based LEDs](#) category:*

*Click to view products by [Toshiba](#) manufacturer:*

Other Similar products are found below :

[LAPD-1A](#) [LAPD-1R](#) [LAPD-6W](#) [SSP-1156B153S12](#) [SSP-1157B156U12](#) [SSP-LXS110818BA](#) [560-0101F](#) [560-0103F](#) [LAPD-1W](#) [LAPD-6R](#)  
[560-0104F](#) [SSP-LXC1283S24](#) [SSP-3MB96U12G](#) [1.90.690.684/0000](#) [560-0203F](#) [586-2206-205F](#) [SSP-LXS1826U16A](#) [24LS4-G1](#) [24LS4-R1](#)  
[MF200-NFW5H](#) [MB403-W60-CW-BP](#) [387LP-A](#) [1819LS2-G-CG](#) [387LP-R](#) [387LP-B](#) [387LP-G](#) [24LS4-W1](#) [6S6LS155-CWR](#) [130MBLS-G-](#)  
[CG](#) [5000404LAMP](#) [6S6LS130-CWW](#) [MF200-BCG12H](#) [MF200-NFR5H](#) [24L4-B1](#) [MF200-NKG120](#) [5SB-NFG24H](#) [MF200C-NFW28H](#)  
[MF200-BCG24H](#) [6S6LS130-CWG](#) [MG200-NFR12H](#) [5SB-NKR120](#) [5000411LAMP](#) [MB403-R6AC-CR](#) [MG200-NWG120](#) [6S6LS120-CWG](#)  
[8718699767655](#) [8718699772154](#) [64650](#) [SKU 217262](#) [SKU 211686](#)