

# LED Down Light – D150\_ 6inch 16W

Authorized Licensee for TOSHIBA trademark



## 1. Specification:

### A. General Data

<b>Model</b>	D150_6inch 16W 3000K	D150_6inch 16W 4000K	D150_6inch 16W 6500K
<b>P/N</b>	DELS-DL3401661A051	DELS-DL4401661A051	DELS-DLC401661A051
<b>Westnet Code</b>	00172860	00172861	00172862
<b>Rated Voltage</b>	230 VAC		
<b>Frequency</b>	50 Hz		
<b>Rated Wattage</b>	16 W		
<b>Deviation Tolerance of Wattage</b>	±10 %		
<b>Rated Current</b>	0.12 A		
<b>Maximum Input Current</b>	0.138 A		
<b>Dimmable</b>	Non-Dim		
<b>Beam Angle</b>	110°		
<b>Energy Efficiency Class(EEC)</b>	F		
<b>Peak luminous intensity (cd)</b>	Non-directional		
<b>R9 CRI</b>	1		
<b>Survival factor</b>	0.9		
<b>Safety requirements</b>	CE		
<b>Displacement factor (cos φ1)**</b>	≥0.7		
<b>Stroboscopic effect</b>	0.9		

<b>metric (SVM)</b>	
<b>Flicker metric (PstLM)</b>	1
<b>Ingress protection rating</b>	IP20
<b>Impact resistance</b>	N.A
<b>Photobiological Group</b>	RG 0

\* Displacement factor tolerance +/- 10%

### B. Light Data

<b>Color</b>	Warm White	Neutral Withe	Cool White
<b>Color Temperature (CCT)</b>	3000K	4000K	6500K
<b>Lumen Output* (<math>\phi_{Total}^{\circ}</math>)</b>	<b>1650 lm</b>		
<b>Color Rendering Index*</b>	$\geq 80$		
<b>Efficacy(<math>\phi_{Total}^{\circ}</math>)</b>	103.1 lm/W		
<b>Color Consistency**</b>	6 Step MacAdam Ellipse (6 SDCM)		

\* tolerance +/- 10%

\*\* 3000K center point (0.43387, 0.40319) ; 4000K center point (0.38177, 0.37959) ; 6500K center point (0.31230, 0.32825)

### C. Lifetime

(Supplied Voltage: AC 230V ; Ambient Temperature: 25°C)

<b>Lumen Maintenance Factor</b>	70% of the rated lifetime
<b>Rated Lifetime – L<sub>70</sub>B<sub>50</sub></b>	15,000 hrs
<b>Lumen Maintenance factor</b>	93.1%

### D. Temperature Operation

<b>Normal operation temperature</b>	-20°C ~ 40°C
<b>Relative Humidity</b>	10% ~ 90%

### E. Geometric Data

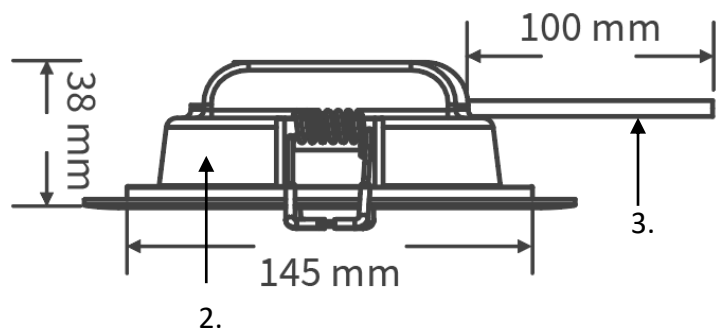
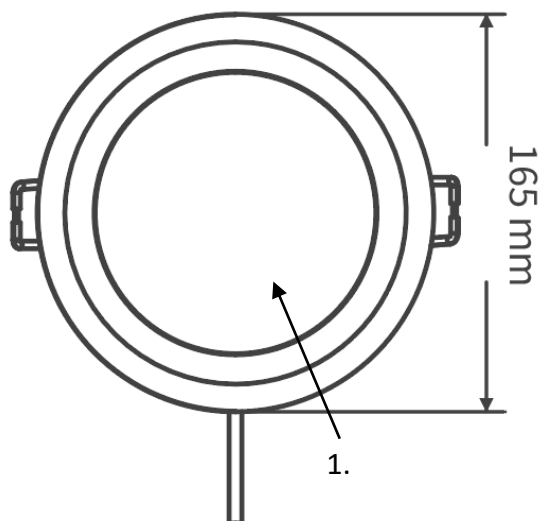
<b>Model</b>	LED Down Light D150_6inch 16W
<b>Maximum overall width</b>	165 ± 2 mm
<b>Maximum overall height</b>	38 ± 2 mm
<b>Minimum cut out</b>	145 mm
<b>Mass</b>	135g ± 10%

### F. Environmental relevant materials

Mercury (Hg)	Comply with RoHS Directive 2011/65/EU
Lead (Pb)	
Cadmium(Cd)	
Hexavalent Chromium(Cr6+)	
Polybrominated Biphenyls(PBBs)	
Polybrominated Diphenyl Ethers(PBDEs)	
Bis (2-ethylhexyl) phthalate(DEHP)	
Butyl benzyl phthalate(BBP)	
Dibutyl phthalate(DBP)	
Diisobutyl phthalate(DIBP)	

### 2. Outline Drawing

Unit : mm

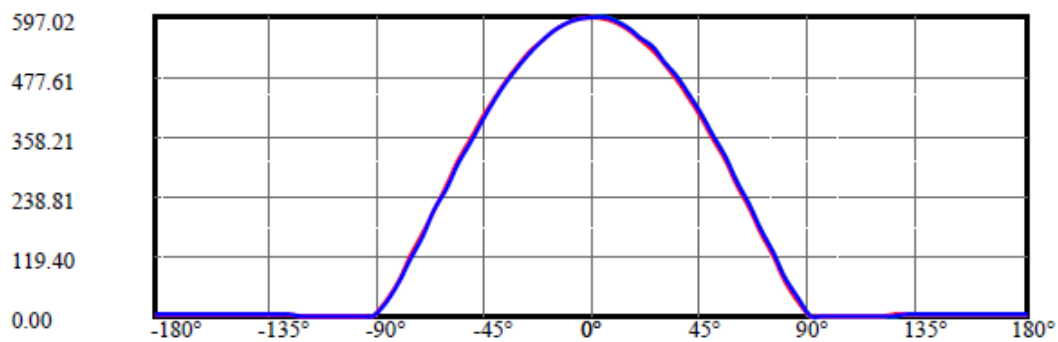
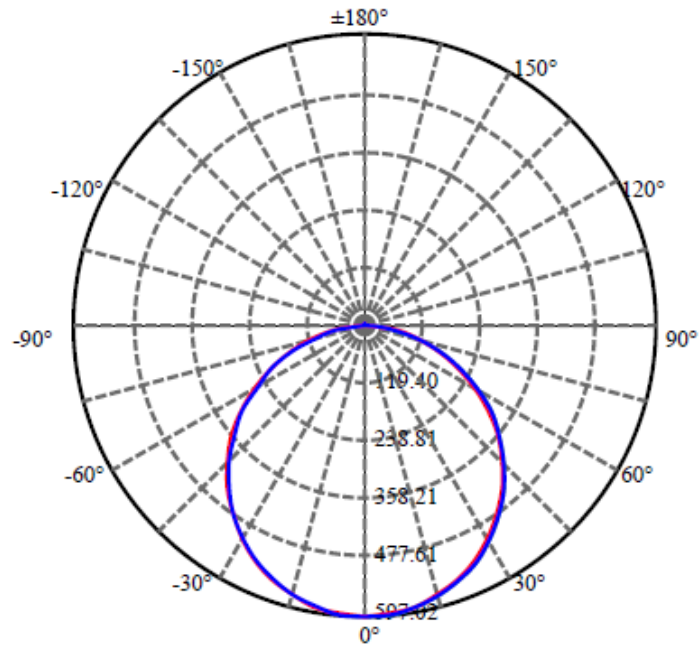


#### Material Information

1. Cover : PC
2. Plastics enclosed : PPS
3. AC Wire : H03VVH2-F

### 3. Light Distribution Curve

FWHM 110°



C90(Max): ———

C0/C180: ———

C90/C270: ———

Field angle(10%Imax):C0/180Left:81.4 Right:81.4

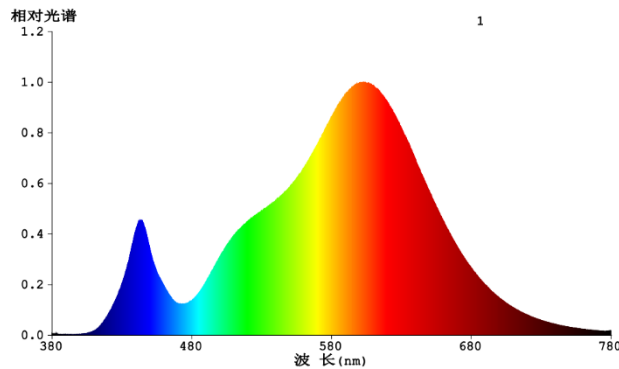
:C90/270Left:80.8 Right:82.2

Beam Angle(50%Imax):C0/180Left:56.4 Right:56.4

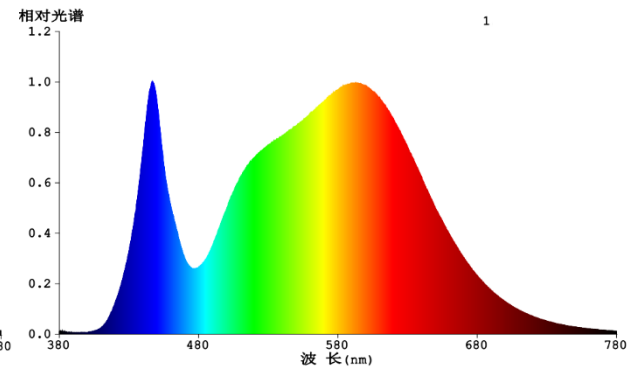
:C90/270Left:55.6 Right:57.2

## 4. Spectrum Distribution

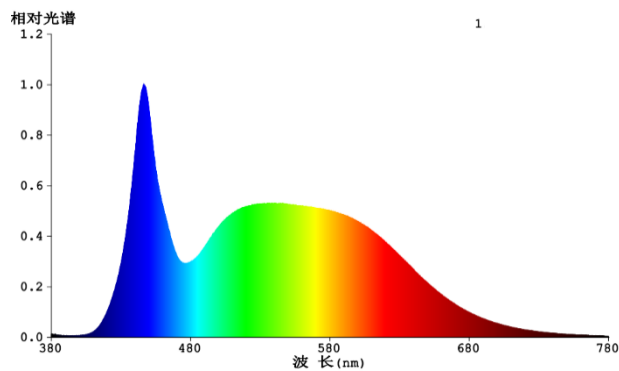
3000K Color Temperature



4000K Color Temperature



6500K Color Temperature



## 5. Warnings

Before replacing, turn off power and let lamp cool to avoid electrical shock or burn.

## 6. Cautions

- Not intended for use with emergency light fixtures for exit lights.
- Electrical work and repairs must be performed by qualified electrician.
- During installation, always observe the national installation regulations.
- The luminaire must not be modified in any way. Risk of electric shock and accident.
- The light source contained in this luminaire shall only be replaced by the manufacturer or his service agent or a similar qualified person.
- If the external flexible cable or cord of this luminaire is damaged, it shall be exclusively replaced by the manufacturer or his service agent or a similar qualified person in order to avoid a hazard.
- Do not use outdoors.

## 7. Notes

All characteristics are estimated at room temperature (25°C), free air burning, base up burning position and at rated voltage. In view of the complex manufacturing process for light above for the technical LED parameters are merely statistical values that do not necessarily correspond to the actual technic individual products may vary from the typical values.

## 8. Logistic information

Model	LED Down Light D150_6inch 16W 3000K	LED Down Light D150_6inch 16W 4000K	LED Down Light D150_6inch 16W 6500K
Pieces per pack	1	1	1
EAN code on pack	4711112387847	4711112387854	4711112387861
Size of pack	167*45*167 mm		
Weight per pack (G.W)	165g		
Packs per inner box	N/A		
EAN code on inner box	N/A		
ITF code on inner box	N/A		
Size of inner box	N/A		
Weight per inner box(G.W)	N/A		
Packs per outer box	30		
EAN code on outer box	N/A		
ITF code on outer box	14711112387844	14711112387851	14711112387868
Size of outer box	515*345*245 mm		
Weight per outer box(G.W)	6.5kg		

LED Down Light D150\_6inch 16W 3000K



LED Down Light D150\_6inch 16W 4000K



Packing Photograph

LED Down Light D150\_6inch 16W 6500K

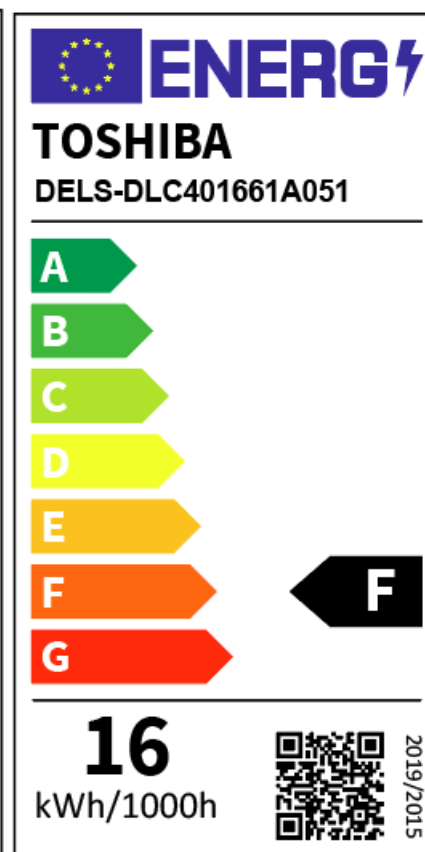
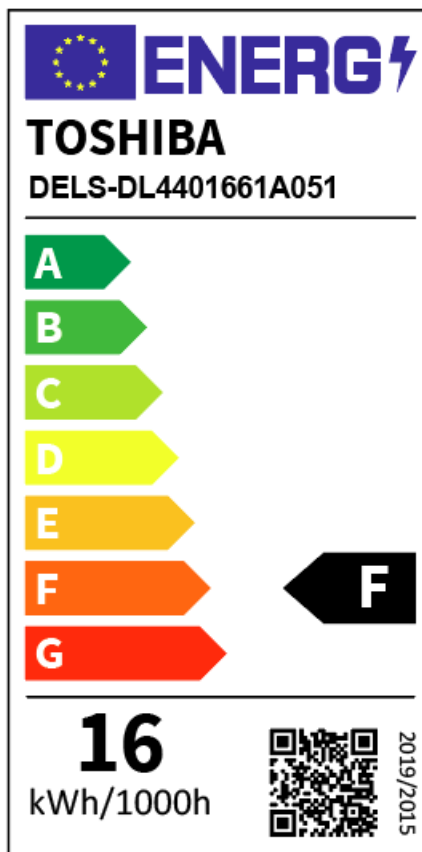
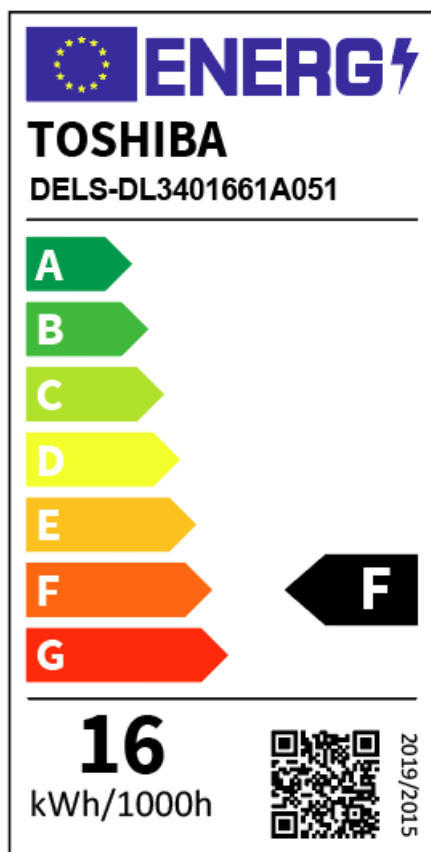


### 9. ERP Label

16W 3000K

16W 4000K

16W 6500K



### 10. Conformity

2014/35/EU; Low Voltage Directive	EN 60598-1:2015 + A1 :2018 · EN 60598-2-2:2012 · EN62493:2015
2014/30/EU; EMC Directive	EN IEC 55015:2019 + A11:2020 · EN IEC 61000-3-2:2019 · EN 61547:2009 EN 61000-3-3:2013 + A1:2019
2009/125/EC; ErP Directive	(EU) 2019/2015 · (EU) 2019/2020 · (EU)2021/340 · (EU)2021/341
2011/65/EU+(EU)2015/863; RoHS Directive	EN 50581: 2012



## X-ON Electronics

Largest Supplier of Electrical and Electronic Components

*Click to view similar products for [LED Replacement Lamps - Based LEDs](#) category:*

*Click to view products by [Toshiba](#) manufacturer:*

Other Similar products are found below :

[LAPD-1A](#) [LAPD-1R](#) [LAPD-6W](#) [SSP-1156B153S12](#) [SSP-1157B156U12](#) [SSP-LXS110818BA](#) [560-0101F](#) [560-0103F](#) [LAPD-1W](#) [LAPD-6R](#)  
[560-0104F](#) [SSP-LXC1283S24](#) [SSP-3MB96U12G](#) [1.90.690.684/0000](#) [560-0203F](#) [586-2206-205F](#) [SSP-LXS1826U16A](#) [24LS4-G1](#) [24LS4-R1](#)  
[MF200-NFW5H](#) [MB403-W60-CW-BP](#) [387LP-A](#) [1819LS2-G-CG](#) [387LP-R](#) [387LP-B](#) [387LP-G](#) [24LS4-W1](#) [6S6LS155-CWR](#) [130MBLS-G-](#)  
[CG](#) [5000404LAMP](#) [6S6LS130-CWW](#) [MF200-BCG12H](#) [MF200-NFR5H](#) [24L4-B1](#) [MF200-NKG120](#) [5SB-NFG24H](#) [MF200C-NFW28H](#)  
[MF200-BCG24H](#) [6S6LS130-CWG](#) [MG200-NFR12H](#) [5SB-NKR120](#) [5000411LAMP](#) [MB403-R6AC-CR](#) [MG200-NWG120](#) [6S6LS120-CWG](#)  
[8718699767655](#) [8718699772154](#) [64650](#) [SKU 217262](#) [SKU 211686](#)