

LED Filament B2C – G45_ Red glass

Authorized Licensee for TOSHIBA trademark



1. Specification:

A. General Data

Model	G45 filament 4.5W E27 Red glass
P/N	DELS-FGR44P5R7AF11
Westnet Code	00172733
Rated Voltage	230 VAC
Frequency	50 Hz
Rated Wattage	4.5 W
Deviation Tolerance of Wattage	±10 %
Rated Current	0.04 A
Maximum Input Current	0.046 A
Start On	<0.5S
Warm up time	<1S
Dimmable	NO
Beam Angle	270°
Energy Efficiency Class(EEC)[®]	Not applicable
Peak luminous intensity (cd)	Non-directional
R9 CRI	Not applicable
Survival factor	0.9
Lumen Maintenance factor	93.1%
Safety requirements	CE
Displacement factor (cos φ1)**	No limit

Stroboscopic effect metric (SVM)	0.9
Flicker metric (PstLM)	1
Applicable Environments	Dry locations; Not suitable for totally enclosed fixtures
Ingress protection rating	IP20
Impact resistance	N.A
Incandescent Equivalent	40W
Base	E27
Photobiological Group	RG 1

* Displacement factor tolerance +/- 10%

**No limit at $P_{on} \leq 5W$

⊗ The product is excepted from Commission Delegated Regulation (EU) 2019/2015 on the energy labelling of light sources

B. Light Data

Color	Red light
Color Temperature (CCT)	Not applicable
Lumen Output (ϕ Total °)	Not applicable
Color Rendering Index	Not applicable
Efficacy(ϕ Total °)	Not applicable
Color Consistency	Not applicable

C. Lifetime

(Supplied Voltage: AC 230V ; Ambient Temperature: 25°C)

Lumen Maintenance Factor	70% of the rated lifetime
Rated Lifetime – L₇₀B₅₀	15,000 hrs
Switch cycles	>20,000

D. Temperature Operation

Normal operation temperature	-20°C ~ 40°C
Relative Humidity	10% ~ 90%

E. Geometric Data

Model	G45 filament 4.5W E27 Red glass
Maximum overall length	45 ± 2 mm
Maximum overall width	78 ± 2 mm

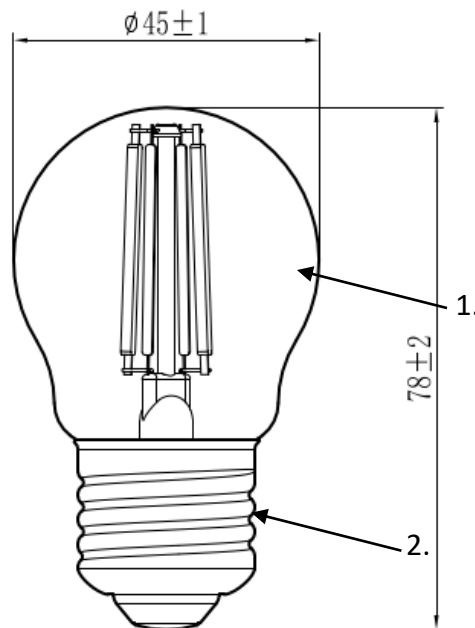
Mass	32 g ± 10%
-------------	------------

F. Environmental relevant materials

Mercury (Hg)	Comply with RoHS Directive 2011/65/EU
Lead (Pb)	
Cadmium(Cd)	
Hexavalent Chromium(Cr6+)	
Polybrominated Biphenyls(PBBs)	
Polybrominated Diphenyl Ethers(PBDEs)	
Bis (2-ethylhexyl) phthalate(DEHP)	
Butyl benzyl phthalate(BBP)	
Dibutyl phthalate(DBP)	
Diisobutyl phthalate(DIBP)	

2. Outline Drawing

Unit : mm

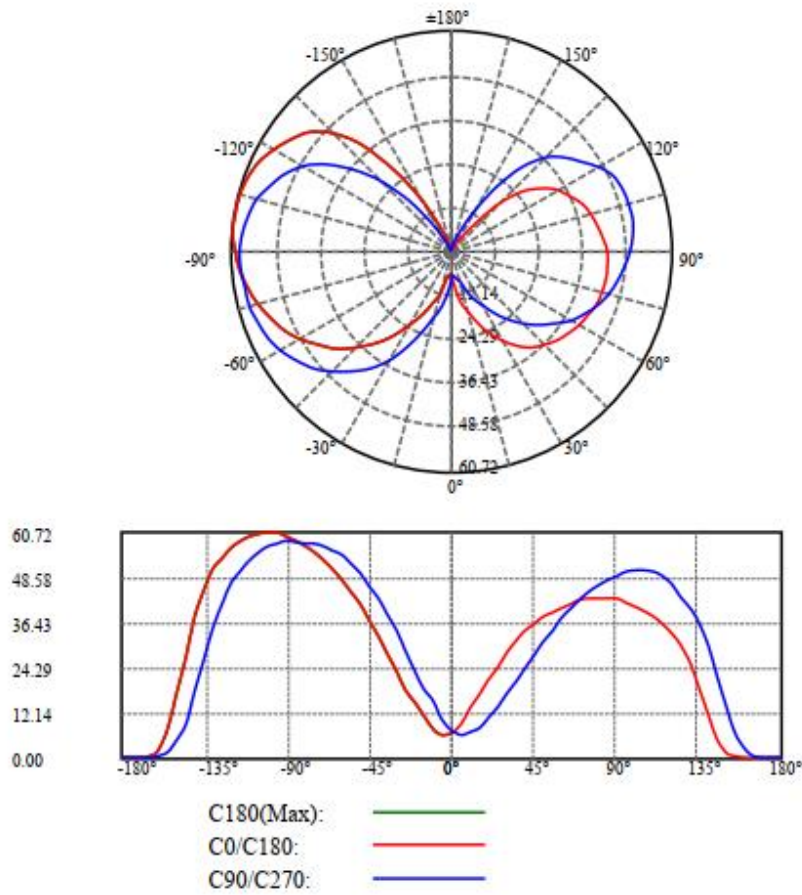


Material Information

1. Globe& Body : Glass
2. Base : Metal

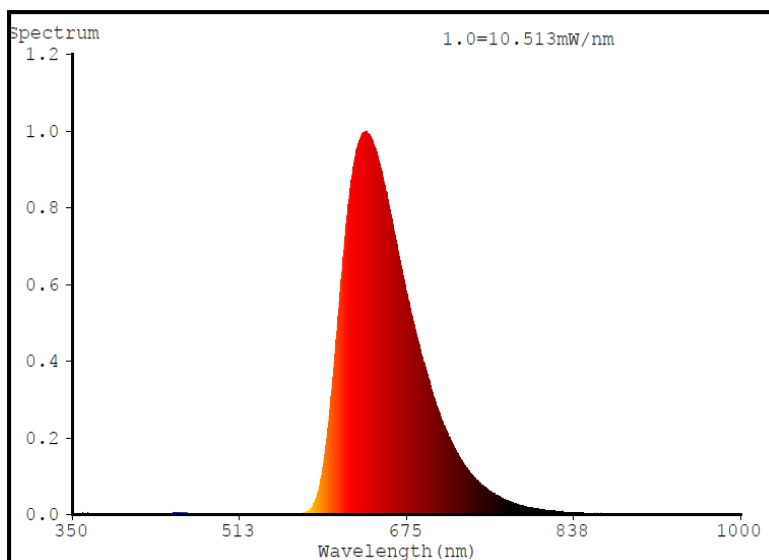
3. Light Distribution Curve

FWHM 270°



4. Spectrum Distribution

- Red light



5. Warnings

Before replacing, turn off power and let lamp cool to avoid electrical shock or burn.

6. Cautions

Only to apply in dry and most of open fixtures with lamp-holders that offer sufficient space (10 mm free air space). Not intended for use with emergency light fixtures for exit lights.

7. Notes

All characteristics are estimated at room temperature (25°C), free air burning, base up burning position and at rated voltage. In view of the complex manufacturing process for light above for the technical LED parameters are merely statistical values that do not necessarily correspond to the actual technic individual products may vary from the typical values.

8. Logistic information

Model	G45 filament 4.5W E27 Red light
Pieces per pack	1
EAN code on pack	4711112386895
Size of pack	50 * 50 * 95mm
Weight per pack (G.W)	42g
Packs per inner box	N/A
EAN code on inner box	N/A
ITF code on inner box	N/A
Size of inner box	N/A
Weight per inner box(G.W)	N/A
Packs per outer box	100
EAN code on outer box	N/A
ITF code on outer box	14711112386892
Size of outer box	560 * 275 * 220mm

Weight per outer box(G.W)	<p>3.3g</p>
Packing Photograph	

9. ERP Label

N/A

10. Conformity

2014/35/EU; Low Voltage Directive	<p>EN 62560:2012 + A11:2019 · EN 62493:2015 · EN 62471:2008 IEC TR 62778:2014</p>
2014/30/EU; EMC Directive	<p>EN IEC 55015:2019 + A11:2020 · EN IEC 61000-3-2:2019 · EN 61547:2009 EN 61000-3-3:2013 + A1:2019</p>
2009/125/EC; ErP Directive	<p>(EU) 2019/2015 · (EU) 2019/2020 · (EU)2021/340 · (EU)2021/341</p>
2011/65/EU+(EU)2015/863; RoHS Directive	<p>EN 50581: 2012</p>

X-ON Electronics

Largest Supplier of Electrical and Electronic Components

Click to view similar products for [LED Replacement Lamps - Based LEDs](#) category:

Click to view products by [Toshiba](#) manufacturer:

Other Similar products are found below :

[LAPD-1A](#) [LAPD-1R](#) [LAPD-6W](#) [SSP-1156B153S12](#) [SSP-1157B156U12](#) [SSP-LXS110818BA](#) [560-0101F](#) [560-0103F](#) [LAPD-1W](#) [LAPD-6R](#)
[560-0104F](#) [SSP-LXC1283S24](#) [SSP-3MB96U12G](#) [1.90.690.684/0000](#) [560-0203F](#) [586-2206-205F](#) [SSP-LXS1826U16A](#) [24LS4-G1](#) [24LS4-R1](#)
[MF200-NFW5H](#) [MB403-W60-CW-BP](#) [387LP-A](#) [1819LS2-G-CG](#) [387LP-R](#) [387LP-B](#) [387LP-G](#) [24LS4-W1](#) [6S6LS155-CWR](#) [130MBLS-G-](#)
[CG](#) [5000404LAMP](#) [6S6LS130-CWW](#) [MF200-BCG12H](#) [MF200-NFR5H](#) [24L4-B1](#) [MF200-NKG120](#) [5SB-NFG24H](#) [MF200C-NFW28H](#)
[MF200-BCG24H](#) [6S6LS130-CWG](#) [MG200-NFR12H](#) [5SB-NKR120](#) [5000411LAMP](#) [MB403-R6AC-CR](#) [MG200-NWG120](#) [6S6LS120-CWG](#)
[8718699767655](#) [8718699772154](#) [CWA3S-24-CD](#) [64650](#) [SKU 217262](#)