

TB67S512FTAG

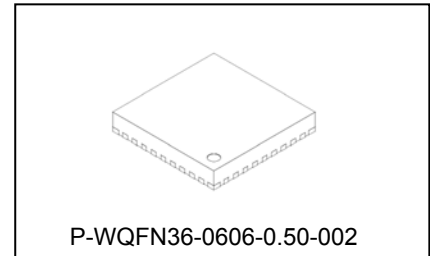
CLK-in controlled Bipolar Stepping Motor Driver

The TB67S512FTAG is a two-phase bipolar stepping motor driver using a PWM chopper. A CLK-in decoder is incorporated.

Fabricated with the BiCD process, rating is 40 V/2.0 A.

Features

- Monolithic IC integrated by BiCD process
- Capable of controlling bipolar stepping motor by single IC
- PWM controlled constant-current drive
- Supporting full, half, and quarter step resolutions
- Built-in output MOSFET with low ON resistance (Upper + Lower side = 0.8 Ω (typ.))
- High voltage and current drive (For specifications, please refer to the absolute maximum ratings and the operation ranges)
- Built-in output functions of error detection (TSD and ISD) flags
- Built-in error detection circuits (Thermal shutdown (TSD), over-current detection circuit (ISD), and power-on reset (POR))
- Built-in VCC regulator for internal circuit drive
- Chopping frequency of a motor can be customized by external components
- Package: P-WQFN36-0606-0.50-002

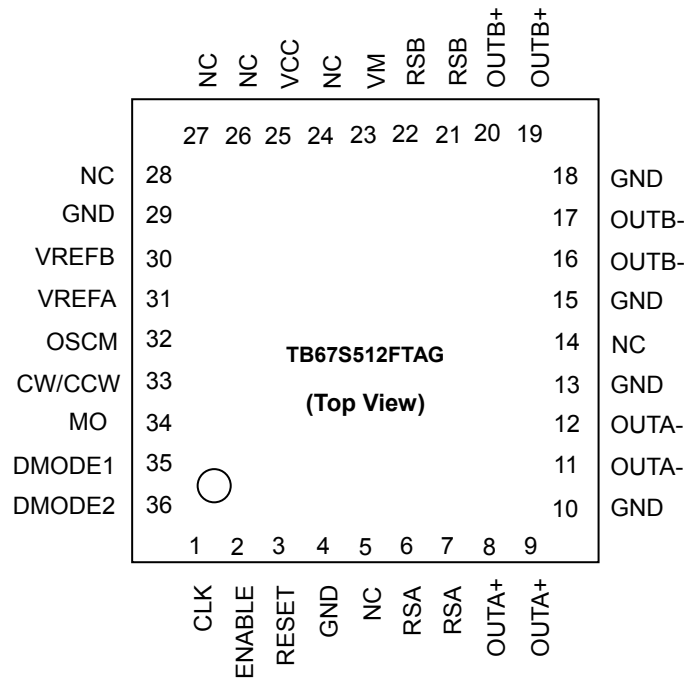


P-WQFN36-0606-0.50-002

Weight : 0.10 g (typ.)

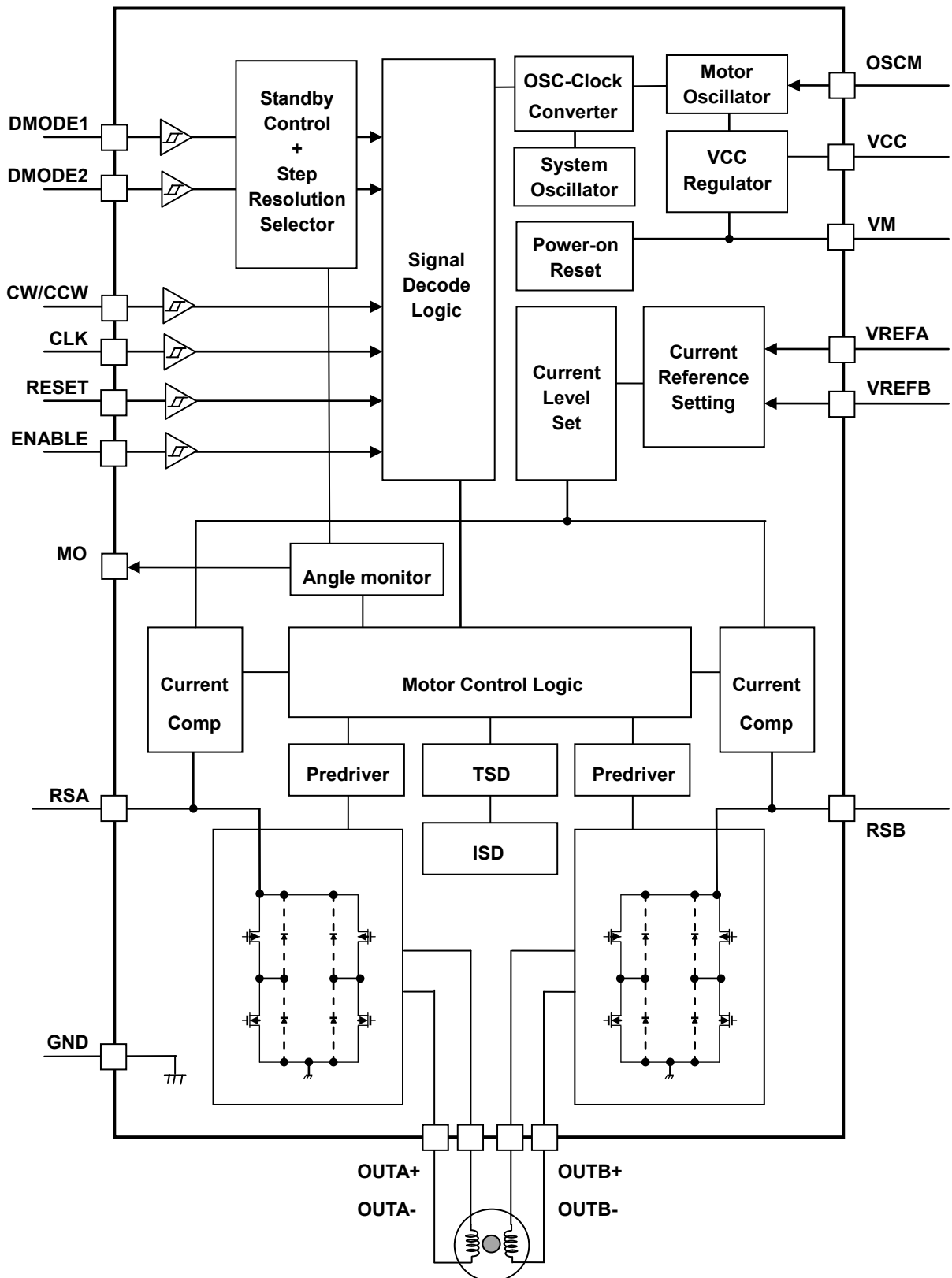
Note: Please be careful about thermal conditions during use.

Pin assignment



*: Please mount the four-corner pads of the QFN package and the exposed pad to the GND area of the PCB.

Block diagram



Some of the functional blocks, circuits, or constants in the block diagram may be omitted or simplified for explanatory purposes.

Note:

All the grounding wires of the TB67S512FTAG should run on the solder mask on the PCB and be externally terminated at only one point. Also, a grounding method should be considered for efficient heat dissipation.

Utmost care is necessary in the design of the output, VM, and GND lines since the IC may be destroyed by short-circuiting between outputs, or by short-circuiting to the power supply or ground. Especially, if power supply pins (VM, RS, OUT, and GND), through which a particularly large current may run, are wired incorrectly, an operation error may occur or the device may be destroyed.

Also, if logic input pins are wired incorrectly, an operation error may occur or the device may be destroyed. In this case, the IC may be destroyed because over rating current flows. Pay enough attention in designing patterns and mounting the IC.

Pin descriptions

| Pin No. | Pin Name | Function |
|---------|--------------|--|
| 1 | CLK | CLK control input pin |
| 2 | ENABLE | ON/OFF control output pin of Ach and Bch |
| 3 | RESET | Electrical angle reset pin |
| 4 | GND | Ground pin |
| 5 | NC | Non-connection pin |
| 6 | RSA (Note) | Motor output current sense pin of Ach |
| 7 | RSA (Note) | Motor output current sense pin of Ach |
| 8 | OUTA+ (Note) | Motor output pin (+) of Ach |
| 9 | OUTA+ (Note) | Motor output pin (+) of Ach |
| 10 | GND | Ground pin |
| 11 | OUTA- (Note) | Motor output pin (-) of Ach |
| 12 | OUTA- (Note) | Motor output pin (-) of Ach |
| 13 | GND | Ground pin |
| 14 | NC | Non-connection pin |
| 15 | GND | Ground pin |
| 16 | OUTB- (Note) | Motor output pin (-) of Bch |
| 17 | OUTB- (Note) | Motor output pin (-) of Bch |
| 18 | GND | Ground pin |
| 19 | OUTB+ (Note) | Motor output pin (+) of Bch |
| 20 | OUTB+ (Note) | Motor output pin (+) of Bch |
| 21 | RSB (Note) | Motor output current sense pin of Bch |
| 22 | RSB (Note) | Motor output current sense pin of Bch |
| 23 | VM | VM power supply pin |
| 24 | NC | Non-connection pin |
| 25 | VCC | Internal VCC regulator monitor pin |
| 26 | NC | Non-connection pin |
| 27 | NC | Non-connection pin |
| 28 | NC | Non-connection pin |
| 29 | GND | Ground pin |
| 30 | VREFB | Motor output set pin of Bch |
| 31 | VREFA | Motor output set pin of Ach |
| 32 | OSCM | Oscillating frequency set pin for chopping |
| 33 | CW/CCW | Motor rotation direction set pin (Forward/Reverse) |
| 34 | MO | Electrical angle monitor pin |
| 35 | DMODE1 | Step resolution set pin 1 |
| 36 | DMODE2 | Step resolution set pin 2 |

*: Please keep NC pins open.

Note: Please connect the pins with the same pin name nearby, while using the TB67S512FTAG.

Equivalent circuit

| Pin name | IN/OUT signal | Equivalent circuit |
|--|--|---|
| DMODE1 DMODE2 CLK ENABLE RESET CW/CCW | Digital Input (VIH/VIL) VIH: 2.0 V (min) to 5.5 V (max) VIL: 0 V (min) to 0.8 V (max) | <p>Logic input pin</p> <p>1 kΩ</p> <p>100 kΩ</p> <p>GND</p> |
| MO | Digital output (VOH/VOL) (Pull-up resistance: 10 kΩ to 100 kΩ) | <p>Logic output pin</p> <p>GND</p> |
| VCC VREFA VREFB | VCC voltage range 4.75 V (min), 5.0 V (typ.), and 5.25 V (max) VREF voltage range 0 V to 3.6 V | <p>VCC</p> <p>VREF</p> <p>1 kΩ</p> <p>GND</p> |
| OSCM | OSCM frequency setting range 0.64 MHz (min), 1.12 MHz (typ.), and 2.4 MHz (max) | <p>OSCM</p> <p>1 kΩ</p> <p>500 Ω</p> <p>GND</p> |
| OUTA+ OUTA- OUTB+ OUTB- RSA RSB | VM power supply voltage usage range 10 V (min) to 35 V (max) Voltage of OUTPUT pin 10 V (min) to 35 V (max) | <p>RS</p> <p>OUT+</p> <p>OUT-</p> <p>GND</p> |

The equivalent circuit diagrams may be simplified or some parts of them may be omitted for explanatory purposes.

Function description (Stepping motor modes)

1. CLK Function

Each electrical angle is shifted every CLK signal. Each CLK signal is reflected at the up-edge.

| CLK Input | Function |
|-----------|---|
| ↑ | Electrical angle is shifted to the next step at the up-edge |
| ↓ | (State of the electrical angle does not change.) |

2. ENABLE function

The ENABLE pin controls ON and OFF of the driving current during the stepping motor operation. The OFF mode (High impedance) and the ON mode can be switched by controlling this pin. Please set the ENABLE pin to 'L' during VM power-on and power-off sequence.

| ENABLE Input | Function |
|--------------|---|
| H | Output transistor = ON (Normal operation) |
| L | Output transistor = OFF (High impedance) |

3. CW/CCW function and the output pin function (Output logic in starting charge)

The CW/CCW pin controls the rotation direction of the stepping motor. When set to 'Clockwise', the current of channel A is outputted first, with a phase difference of 90°. When set to 'Counter clockwise', the current of channel B is outputted first with a phase difference of 90°.

| CW/CCW input | OUT (+) | OUT (-) |
|---------------------------|---------|---------|
| H: Forward rotation (CW) | H | L |
| L: Reverse rotation (CCW) | L | H |

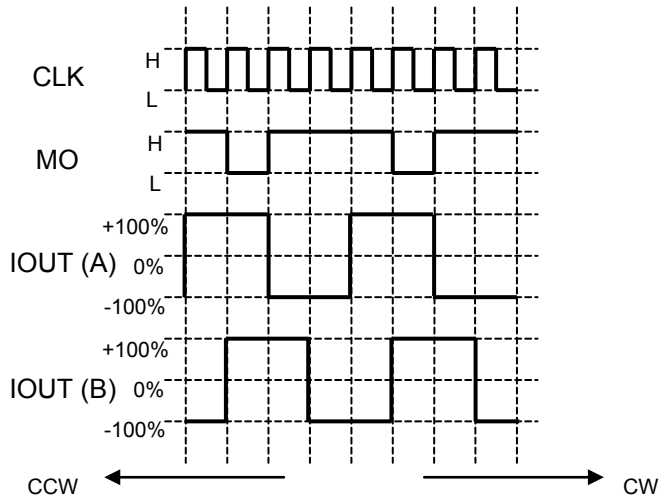
4. Function of step resolution setting

| DMODE1 | DMODE2 | Function |
|--------|--------|--|
| L | L | Standby mode (the OSCM is disabled and the output transistor is set to 'OFF' mode) |
| L | H | Full step resolution |
| H | L | Half step resolution |
| H | H | Quarter step resolution |

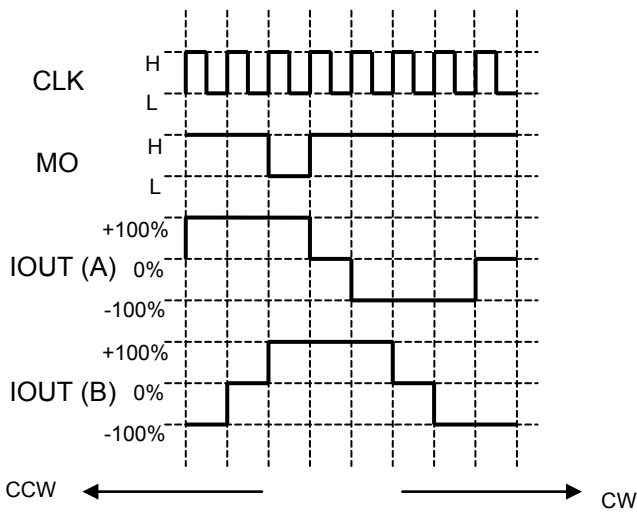
It is recommended to switch the DMODE1 and the DMODE2 after the RESET signal is set to low in the initial state.

Electrical angle and initial position in setting step resolution

[Full step resolution]



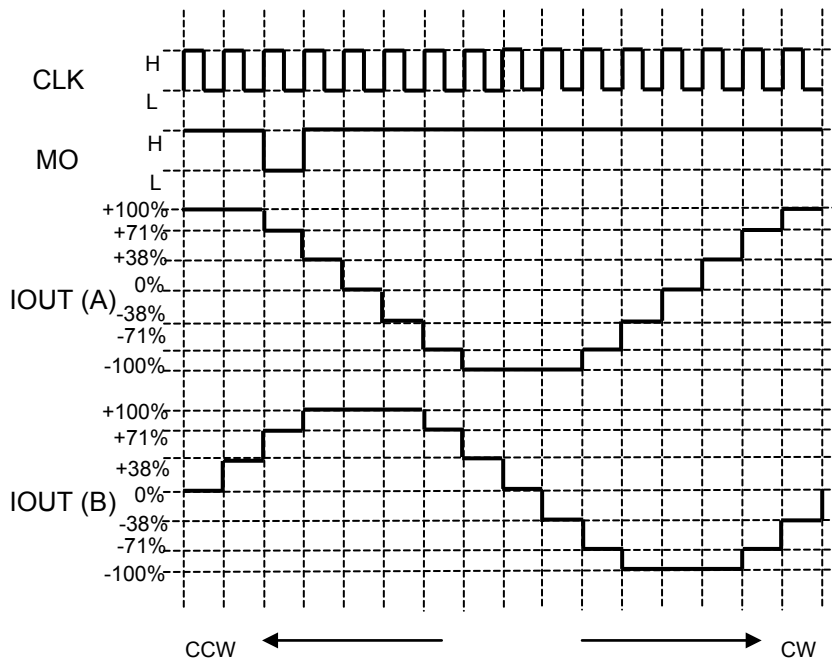
[Half step resolution]



MO output shown in the timing chart is under the condition the MO pin is pulled up.

Timing charts may be simplified for explanatory purpose.

[Quarter step resolution]



MO output shown in the timing chart is under the condition the MO pin is pulled up.

Timing charts may be simplified for explanatory purpose.

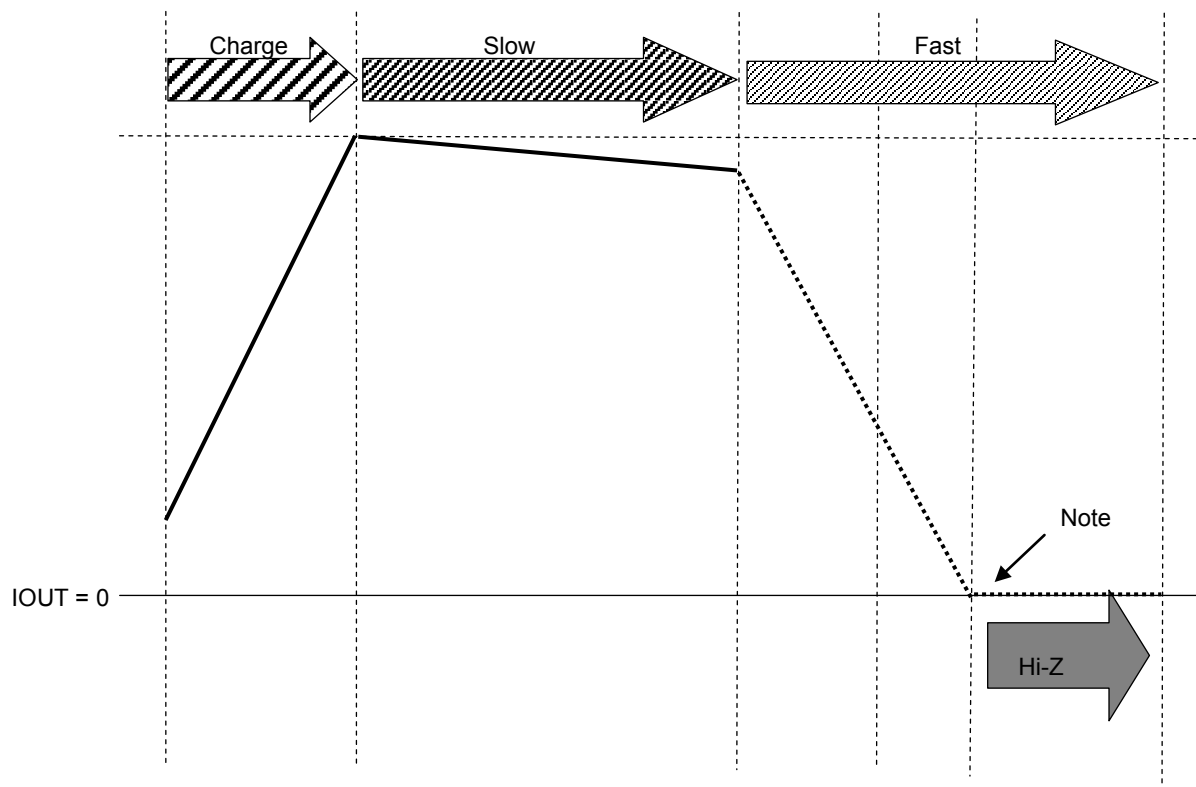
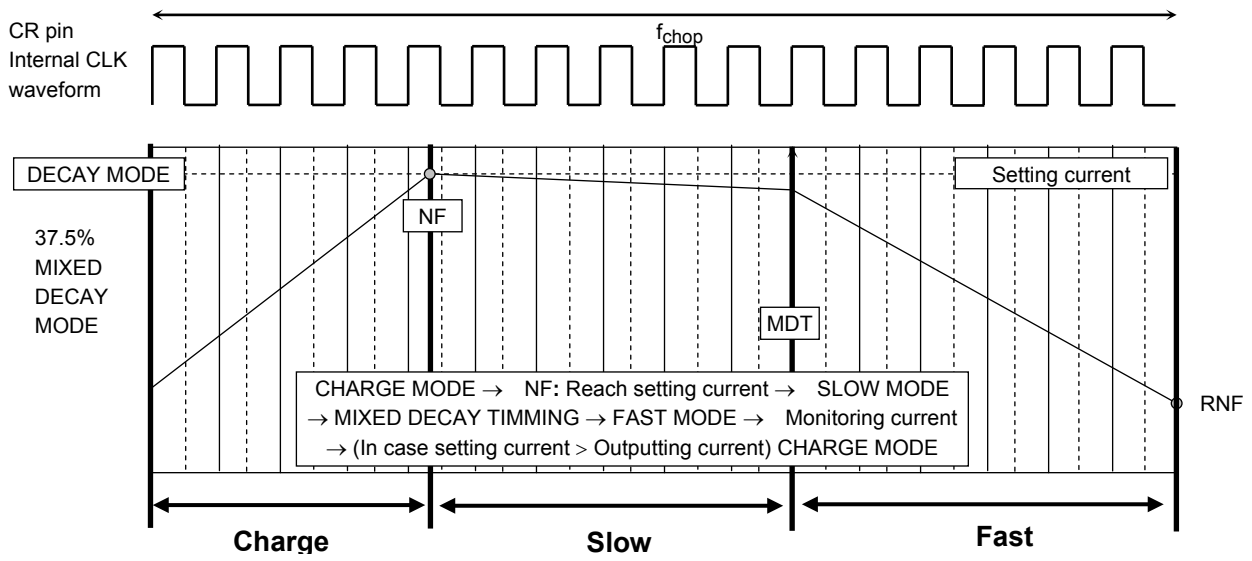
5. RESET function

| RESET Input | Input function |
|-------------|--|
| H | Setting the electrical angle to the initial condition. |
| L | Normal operation mode |

The current for each phase, while RESET is performed, is shown in the table below. In this case, MO is Low.

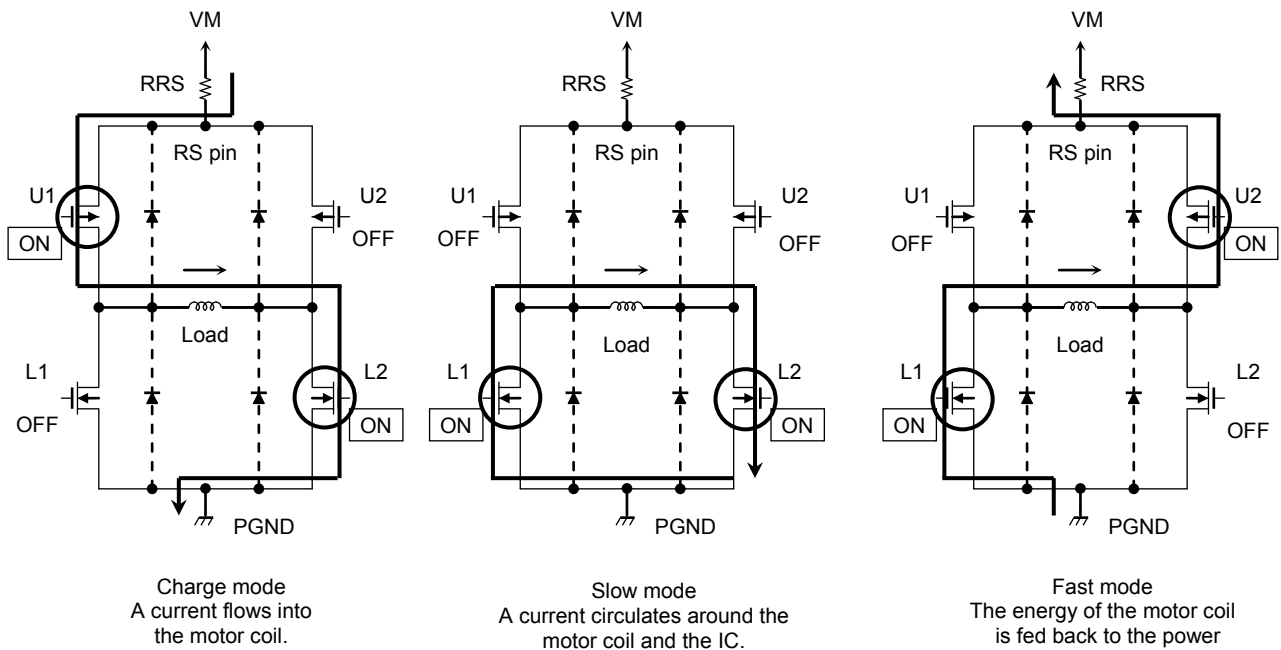
| Step resolution mode | Ach current | Bch current | Default electrical angle |
|----------------------|-------------|-------------|--------------------------|
| Full step | 100 % | 100 % | 45° |
| Half step | 100 % | 100 % | 45° |
| Quarter step | 71 % | 71 % | 45° |

Mixed Decay Mode /Detecting zero point



Note: When the motor current reaches zero level ($I_{out} = 0$ A), the output becomes "Hi-Z" state.

Output transistor function mode



Output transistor function

| MODE | U1 | U2 | L1 | L2 |
|--------|-----|-----|-----|-----|
| CHARGE | ON | OFF | OFF | ON |
| SLOW | OFF | OFF | ON | ON |
| FAST | OFF | ON | ON | OFF |

Note: In case of the current direction shown in the above figures.
If the current flows in the opposite direction, refer to the following table.

| MODE | U1 | U2 | L1 | L2 |
|--------|-----|-----|-----|-----|
| CHARGE | OFF | ON | ON | OFF |
| SLOW | OFF | OFF | ON | ON |
| FAST | ON | OFF | OFF | ON |

This IC controls the constant motor current by 3 modes listed above.
The equivalent circuit diagrams may be simplified or some parts of them may be omitted for explanatory purposes.

Calculation of setting current

This IC drives a motor by controlling the PWM constant current with the base of the OSCM oscillating frequency. The peak output current (Setting current) can be determined by the current-sensing resistor (RS) and the reference voltage (Vref) as follows;

$$I_{OUT} \text{ (max)} = V_{ref} \text{ (gain)} \times \frac{V_{ref} \text{ (V)}}{R_{RS} \text{ (}\Omega\text{)}}$$

Vref (gain): Vref decay rate = 1/ 5.0 (typ.)

Example: In the case of a 100% setup,

When Vref = 3.0 V, Torque = 100%, and RS = 0.51 Ω, the constant output current (peak current) of the motor is calculated as follows;

$$I_{out} = 3.0 \text{ V} / 5.0 / 0.51 \Omega = 1.18 \text{ A}$$

Calculation of the OSCM oscillation frequency (chopper reference frequency)

An approximation of the OSCM oscillation frequency (fOSCM) and chopping frequency (fchop) can be calculated by the following formula.

$$f_{OSCM} = 1 / [0.56 \times \{C_x (R1+500)\}]$$

*C and R1: External constant number for OSCM (When C = 270 pF and R1 = 3.6 kΩ, fOSCM = 1.6 MHz (typ.))

$$f_{chop} = f_{OSCM} / 16$$

*When fOSCM = 1.6 MHz, fchop is approximately 100 kHz.

If chopping frequency is raised, the ripple of the current decreases and the waveform reproducibility is improved. However, the gate loss inside IC becomes large and the heat generation increases.

By lowering chopping frequency, reduction of heat generation is expectable. However, the ripple of the current may increase. Generally, a frequency of about 70 kHz is set as a reference value. A setup in the range of 50 to 100 kHz is recommended.

Absolute Maximum Ratings (Ta = 25°C)

| Characteristics | Symbol | Rating | Unit | Remarks |
|-----------------------------|---------|------------|------|--------------------------|
| Motor power voltage | VM | 40 | V | — |
| Motor output voltage | Vout | 40 | V | — |
| Motor output current | IOUT | 2.0 | A | (Note1) |
| Internal logic power supply | VCC | 6.0 | V | When externally applied. |
| Logic input voltage | VIN(H) | 6.0 | V | — |
| | VIN(L) | -0.4 | V | — |
| MO output voltage | VMO | 6.0 | V | — |
| MO input current | IMO | 30 | mA | — |
| Vref reference voltage | Vref | 5.0 | V | — |
| Power dissipation | PD | 1.3 | W | (Note2) |
| Operating temperature | TOPR | -20 to 85 | °C | — |
| Storage temperature | TSTG | -55 to 150 | °C | — |
| Junction temperature | Tj(max) | 150 | °C | — |

Note 1: The maximum current value in the normal operation should be set 70% or less of the absolute maximum ratings after thermal calculation. The maximum output current may be further limited in view of thermal considerations, depending on the ambient temperature and the board conditions.

Note 2: Device alone (Ta = 25°C)

When Ta exceeds 25°C, please correct the values by derating (10.4 mW/°C).

Ta: Ambient temperature

Topr: Ambient temperature while the IC is active

Tj: Junction temperature while the IC is active. The maximum junction temperature is limited by the thermal shutdown (TSD) circuitry. It is recommended to keep the maximum current below a certain level so that the maximum junction temperature (Tj (max)) will not exceed 120°C.

Caution) Absolute maximum ratings

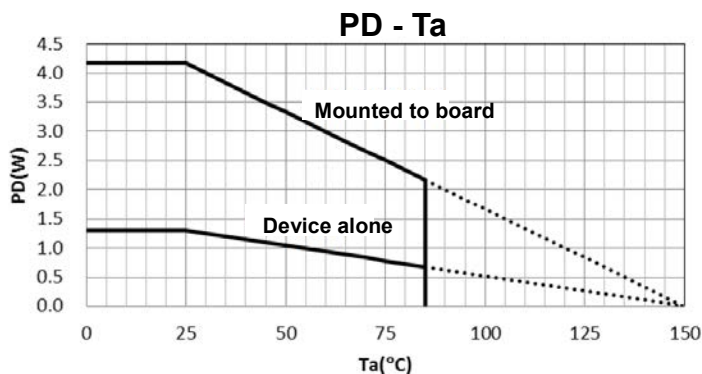
The absolute maximum ratings of a semiconductor device are a set of ratings that must not be exceeded, even for a moment. Do not exceed any of these ratings.

Exceeding the rating (s) may cause device breakdown, damage or deterioration, and may result in injury by explosion or combustion.

The value of even one parameter of the absolute maximum ratings should not be exceeded under any circumstances. The TB67S512FTAG does not have overvoltage detection circuit. Therefore, the device is damaged if a voltage exceeding its rated maximum is applied.

All voltage ratings, including supply voltages, must always be followed. The other notes and considerations described later should also be referred to.

PD-Ta graph (Device alone / Mounted to board) (For reference only)



Board conditions
 4-layer glass epoxy board
 Cu thickness: 1 layer and 4 layers: 55µm, 2 layers and 3 layers: 35µm
 Board size: 100 mm × 110 mm × 1.6 mm

Operation Ranges (Ta = -20 to 85°C)

| Characteristics | Symbol | Min | Typ. | Max | Unit | Remarks |
|----------------------|---------------|-----|------|-----|------|------------------------|
| Motor power supply | VM | 10 | 24 | 35 | V | — |
| Motor output current | IOUT | — | 0.8 | 1.2 | A | (Note1) |
| Logic input voltage | VIN (H) | 2.0 | — | 5.5 | V | Logic input High Level |
| | VIN (L) | 0 | — | 0.8 | V | Logic input Low Level |
| MO output voltage | VMO | — | 3.3 | 5.0 | V | — |
| CLK input frequency | fCLK | — | — | 100 | kHz | — |
| Chopping frequency | fchop (range) | 40 | 70 | 150 | kHz | — |
| Vref input voltage | Vref | 0.5 | 2.0 | 3.6 | V | — |

Note1: Maximum current for actual usage may be limited by the operating circumstances such as operating conditions (exciting mode, operating time, and so on), ambient temperature, and heat conditions (board condition and so on). Please confirm the maximum usage current by thermal calculation under the usage circumstances.

Electrical characteristics 1 (Ta = 25°C and VM = 24 V, unless specified otherwise)

| Characteristics | | Symbol | Test condition | Min | Typ. | Max | Unit |
|---|-------|----------|---|-----|------|------|------|
| Logic input voltage | HIGH | VIN(H) | Logic input (Note) | 2.0 | — | 5.5 | V |
| | LOW | VIN(L) | Logic input (Note) | 0 | — | 0.8 | V |
| Logic input hysteresis voltage | | VIN(HYS) | Logic input (Note) | 100 | — | 300 | mV |
| Logic input current | HIGH | IIN(H) | VIN(H) = 3.3 V | — | 33 | — | μA |
| | LOW | IIN(L) | VIN(L) = 0 V | — | — | 1 | μA |
| MO output voltage | LOW | VOL(MO) | IOL = 24 mA, Output: Low | — | 0.2 | 0.5 | V |
| Power consumption | | IM1 | Output pins = open STANDBY = L | — | 2.5 | 3.5 | mA |
| | | IM2 | Output pins = open STANDBY = H | — | 4.0 | 5.5 | mA |
| | | IM3 | Output pins = open (Full step resolution) | — | 5 | 7 | mA |
| Output leakage current | Upper | IOH | VRS = VM = 40 V, Vout = 0 V | — | — | 1 | μA |
| | Lower | IOL | VRS = VM = Vout = 40 V | 1 | — | — | μA |
| Motor current channel differential | | ΔIOUT1 | Current differential between Ch Iout = 1.0 A | -5 | 0 | 5 | % |
| Motor current setting accuracy | | ΔIOUT2 | IOUT = 1.0 A | -5 | 0 | 5 | % |
| RS pin current | | IRS | VRS = VM = 24 V | 0 | — | 27 | μA |
| Motor output ON-resistance between drain and source (Upper-side + Lower-side) | | Ron(H+L) | Tj = 25°C, Forward direction (Upper-side + Lower-side) Design value | — | 0.8 | 0.88 | Ω |

Note: VIN(H) is defined as the VIN voltage that makes the outputs (OUTA and OUTB) change when the test pin voltage is gradually raised from 0 V. VIN(L) is defined as the VIN voltage that makes the outputs (OUTA and OUTB) change when the test pin voltage is gradually lowered from 5 V. The difference between VIN (H) and VIN (L) is defined as the VIN (HYS).

Note: When the logic signal is input to the device while the VM is not supplied, the device is designed not to generate EMF and the leakage current. However, for safe usage, please control the logic signal to prevent motor operation by VM resupply.

Electrical characteristics 2 (Ta =25°C and VM = 24 V, unless specified otherwise)

| Characteristics | Symbol | Test condition | Min | Typ. | Max | Unit |
|--|------------|----------------|-------|-------|-------|------|
| Vref input current | Iref | VREF = 2.0 V | — | 0 | 1 | μA |
| VCC voltage | VCC | ICC = 5.0 mA | 4.75 | 5.0 | 5.25 | V |
| VCC current | ICC | VCC = 5.0 V | — | 2.5 | 5 | mA |
| Vref gain rate | Vref(gain) | VREF = 2.0 V | 1/5.2 | 1/5.0 | 1/4.8 | — |
| Thermal shutdown (TSD) threshold (Note1) | TjTSD | — | 145 | 160 | 175 | °C |
| VM recovery voltage | VMR | — | 7.0 | 8.0 | 9.0 | V |
| Over current detection (ISD) threshold (Note2) | ISD | Design value | 2.5 | 3.2 | 4.0 | A |

Note 1: Thermal shutdown circuit (TSD)

When the junction temperature of the device reaches the TSD threshold, the TSD circuit is triggered; the internal reset circuit then turns off the output transistors. Noise rejection blanking time is built-in to avoid misdetection. Once the TSD circuit is triggered, the device will be set to standby mode, and can be cleared by reasserting the VM power source, or setting the DMODE pins to standby mode. The TSD circuit is a backup function to detect a thermal error, therefore is not recommended to be used aggressively.

Note 2: Over current detection (ISD)

When the output current reaches the threshold, the ISD circuit is triggered; the internal reset circuit then turns off the output transistors. Noise rejection blanking time is built-in to avoid misdetection occurred by switching. Once the ISD circuit is triggered, the device keeps the output off until power-on reset (POR), is reasserted or the device is set to standby mode by DMODE pins. For fail-safe, please insert a fuse to avoid secondary trouble.

Back-EMF

While a motor is rotating, there is a timing at which power is fed back to the power supply. At that timing, the motor current recirculates back to the power supply due to the effect of the motor back-EMF.

If the power supply does not have enough sink capability, the power supply and output pins of the device might rise above the rated voltages. The magnitude of the motor back-EMF varies with usage conditions and motor characteristics.

Cautions on Overcurrent detection (ISD) and Thermal shutdown (TSD)

The ISD and TSD circuits are only intended to provide temporary protection against irregular conditions such as an output short-circuits; they do not necessarily guarantee the complete IC safety.

If the device is used beyond the specified operating ranges, these circuits may not operate properly; then the device may be damaged due to an output short-circuit.

The ISD circuit is only intended to provide a temporary protection against an output short-circuit. If such a condition persists for a long time, the device may be damaged due to overstress. Overcurrent conditions must be removed immediately by external hardware.

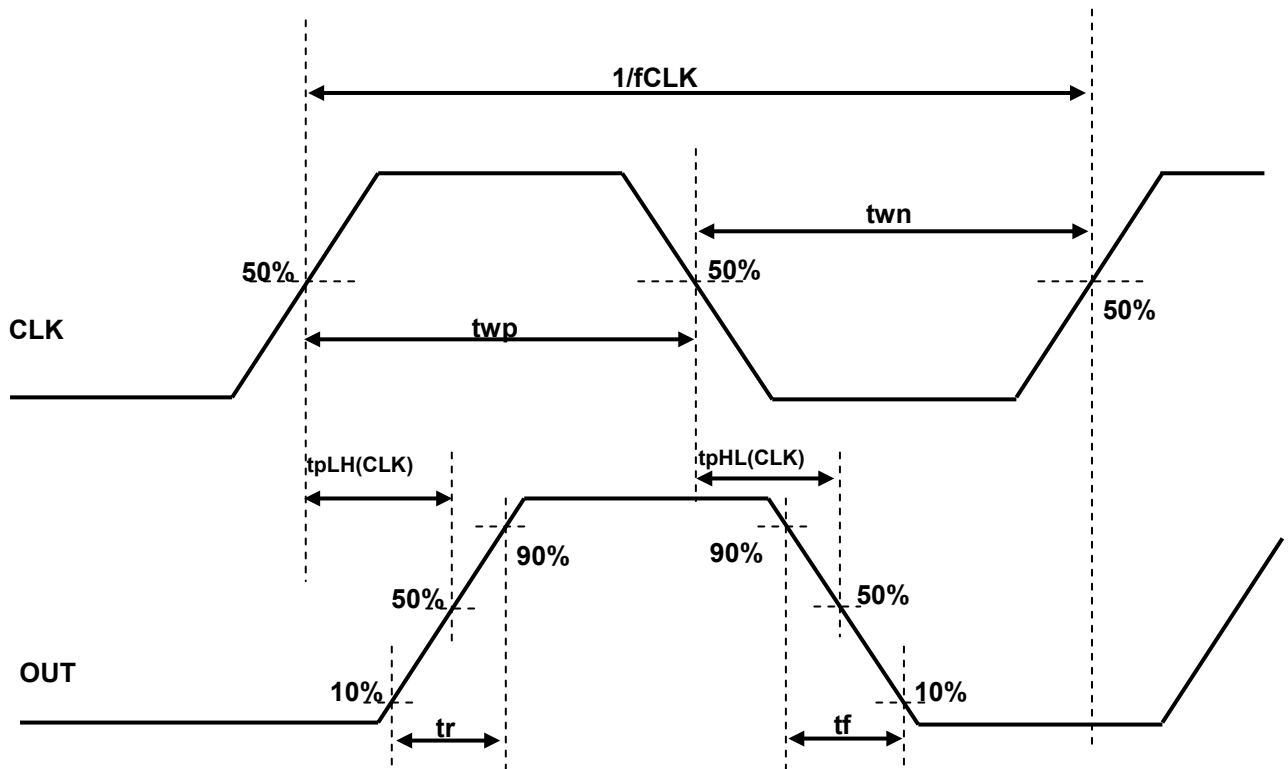
IC Mounting

Do not insert devices incorrectly or in the wrong orientation. Otherwise, it may cause breakdown, damage and/or deterioration of the device.

AC electrical characteristics (Ta = 25°C, VM = 24 V, and 6.8 mH/5.7 Ω)

| Characteristics | Symbol | Test condition | Min | Typ. | Max | Unit |
|---|-----------|---|------|------|------|------|
| CLK (clock) input frequency | fCLK | fOSC = 1600 kHz | — | — | 100 | kHz |
| Minimum width of internal filter for CLK input (output: High) | TCLK(H) | Minimum input term for High output | 300 | — | — | ns |
| Minimum width of internal filter for CLK input (output: Low) | TCLK(L) | Minimum input term for Low output | 250 | — | — | |
| Output transistor switching characteristics | tr | — | 150 | 200 | 250 | ns |
| | tf | — | 100 | 150 | 200 | |
| | tpLH(CLK) | Between CLK and output voltage | — | 1000 | — | |
| | tpHL(CLK) | Between CLK and output voltage | — | 1500 | — | |
| Blanking time for noise reduction | AtBLK | VM = 24 V, IOU = 1.5 A Analog tblank | 450 | 700 | 950 | ns |
| OSCM oscillation frequency | fOSCM | COSC = 270 pF, ROSC = 3.6 kΩ | 1200 | 1600 | 2000 | kHz |
| Chopping frequency | fchop | Output: Active (IOU = 1.5 A), fOSCM = 1600 kHz | — | 100 | — | kHz |

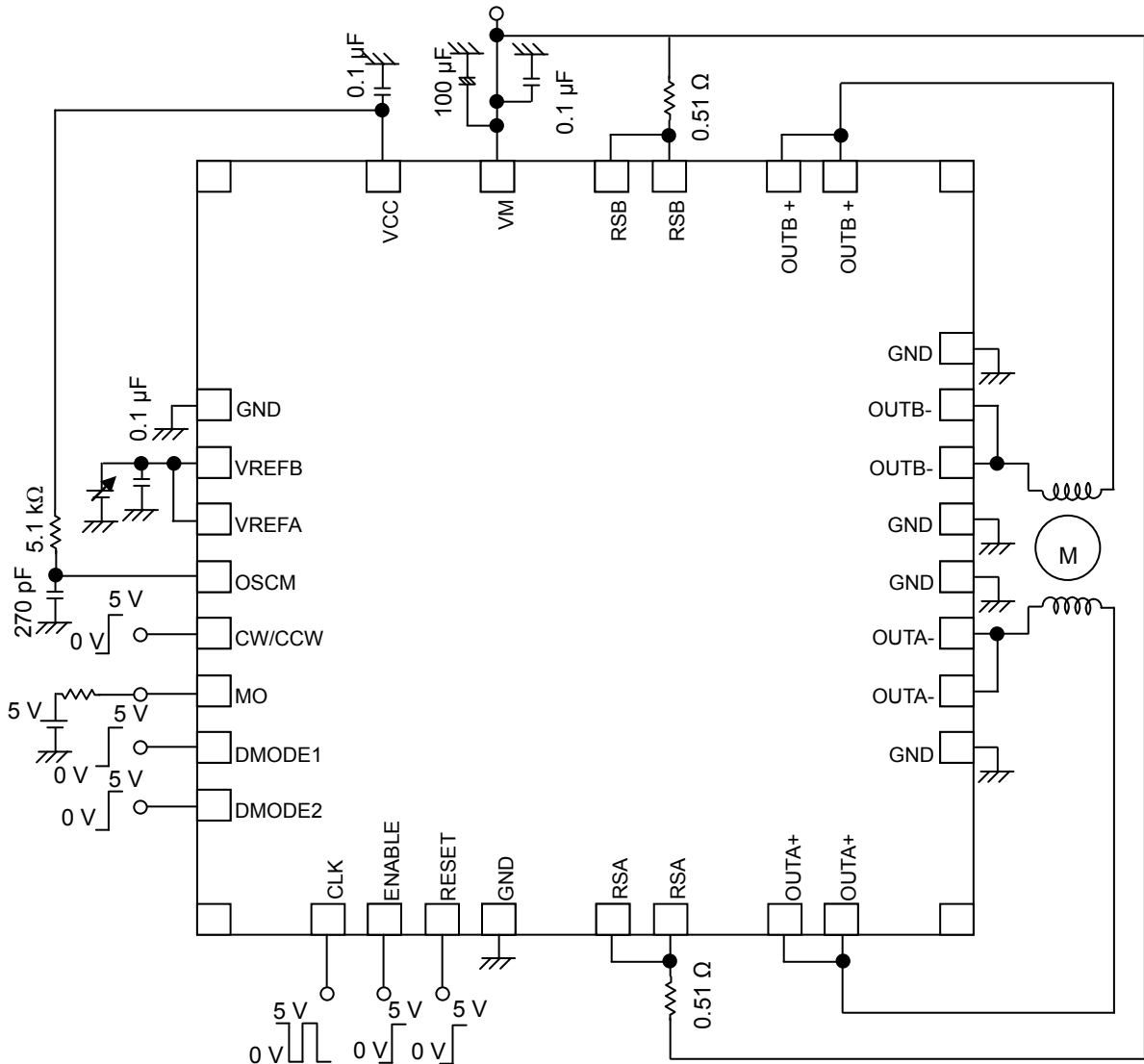
AC characteristics timing chart



Timing charts may be simplified for explanatory purpose.

Application circuit example (TB67S512FTAG) (in case chopping frequency = 70 kHz)

The values in the following figure are recommended values.



Note: The addition of a bypass capacitor is recommended if necessary. The GND wiring should be connected to one point as much as possible.

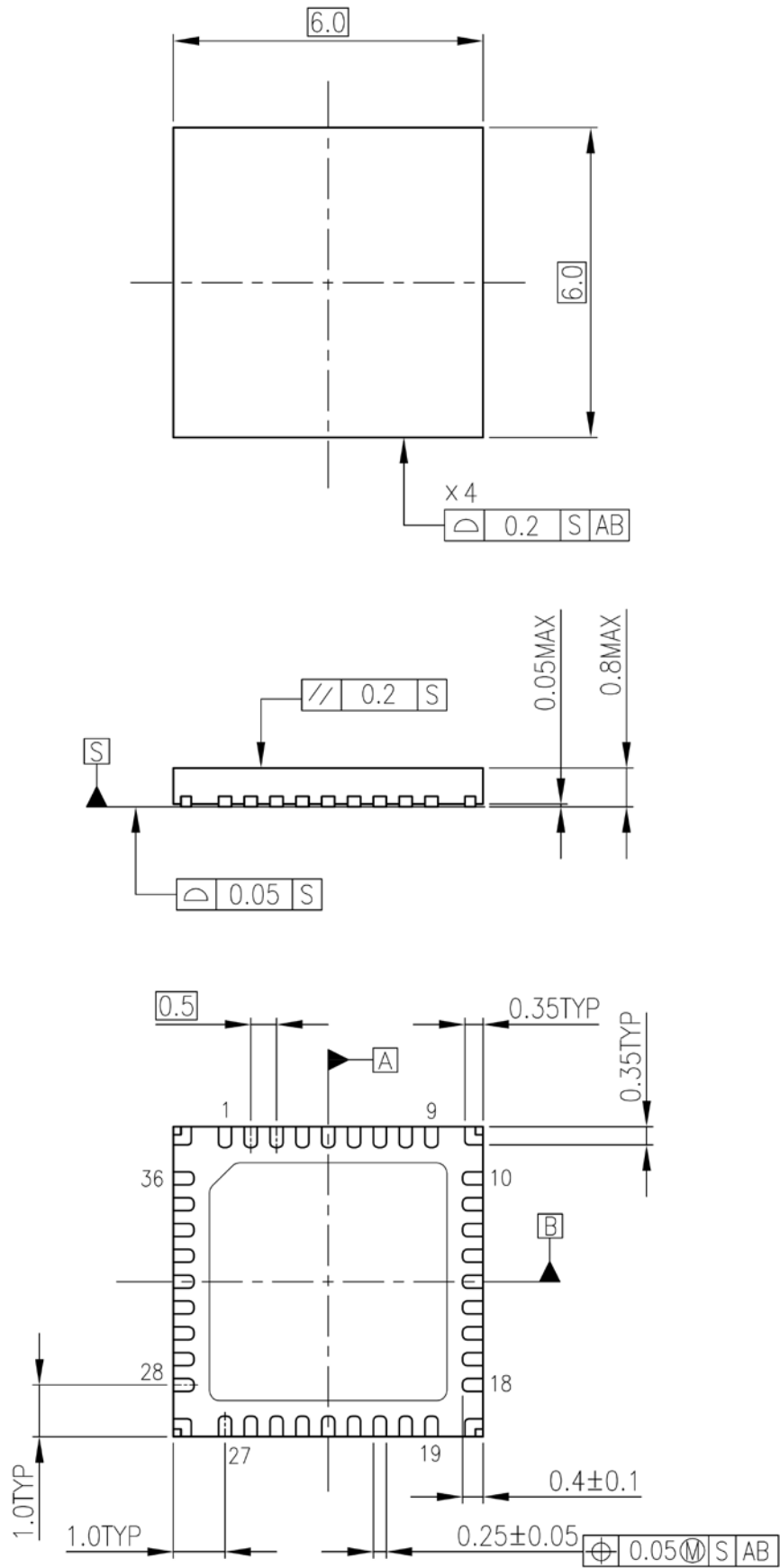
The application circuit shown above is provided for reference purposes only. Thorough evaluation is required, especially at the mass production design stage.

Toshiba does not grant any license to any industrial property rights by providing these examples of application circuits.

Package dimensions

P-WQFN36-0606-0.50-002

unit: mm



Weight: 0.10 g (typ.)

Notes on Contents

1. Block Diagrams

Some of the functional blocks, circuits, or constants in the block diagram may be omitted or simplified for explanatory purposes.

2. Equivalent Circuits

The equivalent circuit diagrams may be simplified or some parts of them may be omitted for explanatory purposes.

3. Timing Charts

Timing charts may be simplified for explanatory purposes.

4. Application Circuits

The application circuits shown in this document are provided for reference purposes only. Thorough evaluation is required, especially at the mass-production design stage.

Toshiba does not grant any license to any industrial property rights by providing these examples of application circuits.

5. Test Circuits

Components in the test circuits are used only to obtain and confirm the device characteristics. These components and circuits are not guaranteed to prevent malfunction or failure from occurring in the application equipment.

IC Usage Considerations

Notes on handling of ICs

- (1) The absolute maximum ratings of a semiconductor device are a set of ratings that must not be exceeded, even for a moment. Do not exceed any of these ratings. Exceeding the rating(s) may cause device breakdown, damage or deterioration, and may result in injury by explosion or combustion.
- (2) Do not insert devices in the wrong orientation or incorrectly. Make sure that the positive and negative terminals of power supplies are connected properly.
Otherwise, the current or power consumption may exceed the absolute maximum rating, and exceeding the rating(s) may cause device breakdown, damage or deterioration, and may result in injury by explosion or combustion.
In addition, do not use any device inserted in the wrong orientation or incorrectly to which current is applied even just once.
- (3) Use an appropriate power supply fuse to ensure that a large current does not continuously flow in the case of overcurrent and/or IC failure. The IC will fully break down when used under conditions that exceed its absolute maximum ratings, when the wiring is routed improperly or when an abnormal pulse noise occurs from the wiring or load, causing a large current to continuously flow and the breakdown can lead to smoke or ignition. To minimize the effects of the flow of a large current in the case of breakdown, appropriate settings, such as fuse capacity, fusing time and insertion circuit location, are required.
- (4) If your design includes an inductive load such as a motor coil, incorporate a protection circuit into the design to prevent device malfunction or breakdown caused by the current resulting from the inrush current at power ON or the negative current resulting from the back electromotive force at power OFF. IC breakdown may cause injury, smoke or ignition. Use a stable power supply with ICs with built-in protection functions. If the power supply is unstable, the protection function may not operate, causing IC breakdown. IC breakdown may cause injury, smoke or ignition.
- (5) Carefully select external components (such as inputs and negative feedback capacitors) and load components (such as speakers), for example, power amp and regulator.
If there is a large amount of leakage current such as from input or negative feedback capacitor, the IC output DC voltage will increase. If this output voltage is connected to a speaker with low input withstand voltage, overcurrent or IC failure may cause smoke or ignition. (The overcurrent may cause smoke or ignition from the IC itself.) In particular, please pay attention when using a Bridge Tied Load (BTL) connection-type IC that inputs output DC voltage to a speaker directly.

Points to remember on handling of ICs

Overcurrent detection Circuit

Overcurrent detection circuits (referred to as current limiter circuits) do not necessarily protect ICs under all circumstances. If the overcurrent detection circuits operate against the overcurrent, clear the overcurrent status immediately.

Depending on the method of use and usage conditions, exceeding absolute maximum ratings may cause the overcurrent detection circuit to operate improperly or IC breakdown may occur before operation. In addition, depending on the method of use and usage conditions, if overcurrent continues to flow for a long time after operation, the IC may generate heat resulting in breakdown.

Thermal Shutdown Circuit

Thermal shutdown circuits do not necessarily protect ICs under all circumstances. If the thermal shutdown circuits operate against the over-temperature, clear the heat generation status immediately.

Depending on the method of use and usage conditions, exceeding absolute maximum ratings may cause the thermal shutdown circuit to operate improperly or IC breakdown to occur before operation.

Heat Radiation Design

When using an IC with large current flow such as power amp, regulator or driver, design the device so that heat is appropriately radiated, in order not to exceed the specified junction temperature (T_J) at any time or under any condition. These ICs generate heat even during normal use. An inadequate IC heat radiation design can lead to decrease in IC life, deterioration of IC characteristics or IC breakdown. In addition, when designing the device, take into consideration the effect of IC heat radiation with peripheral components.

Back-EMF

When a motor rotates in the reverse direction, stops or slows abruptly, current flows back to the motor's power supply owing to the effect of back-EMF. If the current sink capability of the power supply is small, the device's motor power supply and output pins might be exposed to conditions beyond the absolute maximum ratings. To avoid this problem, take the effect of back-EMF into consideration in system design.

RESTRICTIONS ON PRODUCT USE

- Toshiba Corporation, and its subsidiaries and affiliates (collectively "TOSHIBA"), reserve the right to make changes to the information in this document, and related hardware, software and systems (collectively "Product") without notice.
- This document and any information herein may not be reproduced without prior written permission from TOSHIBA. Even with TOSHIBA's written permission, reproduction is permissible only if reproduction is without alteration/omission.
- Though TOSHIBA works continually to improve Product's quality and reliability, Product can malfunction or fail. Customers are responsible for complying with safety standards and for providing adequate designs and safeguards for their hardware, software and systems which minimize risk and avoid situations in which a malfunction or failure of Product could cause loss of human life, bodily injury or damage to property, including data loss or corruption. Before customers use the Product, create designs including the Product, or incorporate the Product into their own applications, customers must also refer to and comply with (a) the latest versions of all relevant TOSHIBA information, including without limitation, this document, the specifications, the data sheets and application notes for Product and the precautions and conditions set forth in the "TOSHIBA Semiconductor Reliability Handbook" and (b) the instructions for the application with which the Product will be used with or for. Customers are solely responsible for all aspects of their own product design or applications, including but not limited to (a) determining the appropriateness of the use of this Product in such design or applications; (b) evaluating and determining the applicability of any information contained in this document, or in charts, diagrams, programs, algorithms, sample application circuits, or any other referenced documents; and (c) validating all operating parameters for such designs and applications. **TOSHIBA ASSUMES NO LIABILITY FOR CUSTOMERS' PRODUCT DESIGN OR APPLICATIONS.**
- **PRODUCT IS NEITHER INTENDED NOR WARRANTED FOR USE IN EQUIPMENTS OR SYSTEMS THAT REQUIRE EXTRAORDINARILY HIGH LEVELS OF QUALITY AND/OR RELIABILITY, AND/OR A MALFUNCTION OR FAILURE OF WHICH MAY CAUSE LOSS OF HUMAN LIFE, BODILY INJURY, SERIOUS PROPERTY DAMAGE AND/OR SERIOUS PUBLIC IMPACT ("UNINTENDED USE").** Except for specific applications as expressly stated in this document, Unintended Use includes, without limitation, equipment used in nuclear facilities, equipment used in the aerospace industry, medical equipment, equipment used for automobiles, trains, ships and other transportation, traffic signaling equipment, equipment used to control combustions or explosions, safety devices, elevators and escalators, devices related to electric power, and equipment used in finance-related fields. **IF YOU USE PRODUCT FOR UNINTENDED USE, TOSHIBA ASSUMES NO LIABILITY FOR PRODUCT.** For details, please contact your TOSHIBA sales representative.
- Do not disassemble, analyze, reverse-engineer, alter, modify, translate or copy Product, whether in whole or in part.
- Product shall not be used for or incorporated into any products or systems whose manufacture, use, or sale is prohibited under any applicable laws or regulations.
- The information contained herein is presented only as guidance for Product use. No responsibility is assumed by TOSHIBA for any infringement of patents or any other intellectual property rights of third parties that may result from the use of Product. No license to any intellectual property right is granted by this document, whether express or implied, by estoppel or otherwise.
- **ABSENT A WRITTEN SIGNED AGREEMENT, EXCEPT AS PROVIDED IN THE RELEVANT TERMS AND CONDITIONS OF SALE FOR PRODUCT, AND TO THE MAXIMUM EXTENT ALLOWABLE BY LAW, TOSHIBA (1) ASSUMES NO LIABILITY WHATSOEVER, INCLUDING WITHOUT LIMITATION, INDIRECT, CONSEQUENTIAL, SPECIAL, OR INCIDENTAL DAMAGES OR LOSS, INCLUDING WITHOUT LIMITATION, LOSS OF PROFITS, LOSS OF OPPORTUNITIES, BUSINESS INTERRUPTION AND LOSS OF DATA, AND (2) DISCLAIMS ANY AND ALL EXPRESS OR IMPLIED WARRANTIES AND CONDITIONS RELATED TO SALE, USE OF PRODUCT, OR INFORMATION, INCLUDING WARRANTIES OR CONDITIONS OF MERCHANTABILITY, FITNESS FOR A PARTICULAR PURPOSE, ACCURACY OF INFORMATION, OR NONINFRINGEMENT.**
- Do not use or otherwise make available Product or related software or technology for any military purposes, including without limitation, for the design, development, use, stockpiling or manufacturing of nuclear, chemical, or biological weapons or missile technology products (mass destruction weapons). Product and related software and technology may be controlled under the applicable export laws and regulations including, without limitation, the Japanese Foreign Exchange and Foreign Trade Law and the U.S. Export Administration Regulations. Export and re-export of Product or related software or technology are strictly prohibited except in compliance with all applicable export laws and regulations.
- Please contact your TOSHIBA sales representative for details as to environmental matters such as the RoHS compatibility of Product. Please use Product in compliance with all applicable laws and regulations that regulate the inclusion or use of controlled substances, including without limitation, the EU RoHS Directive. **TOSHIBA ASSUMES NO LIABILITY FOR DAMAGES OR LOSSES OCCURRING AS A RESULT OF NONCOMPLIANCE WITH APPLICABLE LAWS AND REGULATIONS.**

X-ON Electronics

Largest Supplier of Electrical and Electronic Components

Click to view similar products for [Motor/Motion/Ignition Controllers & Drivers](#) category:

Click to view products by [Toshiba](#) manufacturer:

Other Similar products are found below :

[FSB50550TB2](#) [FSBF15CH60BTH](#) [MSVCPM2-63-12](#) [MSVGW45-14-2](#) [MSVGW54-14-3](#) [MSVGW54-14-5](#) [NTE7043](#) [LA6565VR-TLM-E](#)
[LB11650-E](#) [LB1837M-TLM-E](#) [LB1845DAZ-XE](#) [LC898300XA-MH](#) [SS30-TE-L-E](#) [26700](#) [LV8281VR-TLM-H](#) [BA5839FP-E2](#) [IRAM236-1067A](#) [LA6584JA-AH](#) [LB11847L-E](#) [NCV70501DW002R2G](#) [AH293-PL-B](#) [STK672-630CN-E](#) [TND315S-TL-2H](#) [FNA23060](#) [FSB50250AB](#)
[FNA41060](#) [MSVB54](#) [MSVBTC50E](#) [MSVCPM3-54-12](#) [MSVCPM3-63-12](#) [MSVCPM4-63-12](#) [MSVTA120](#) [FSB50550AB](#)
[NCV70501DW002G](#) [LC898301XA-MH](#) [LV8413GP-TE-L-E](#) [MSVGW45-14-3](#) [MSVGW45-14-4](#) [MSVGW45-14-5](#) [MSVGW54-14-4](#)
[STK984-091A-E](#) [MP6519GQ-Z](#) [LB11651-E](#) [IRSM515-025DA4](#) [LV8127T-TLM-H](#) [MC33812EKR2](#) [NCP81382MNTXG](#) [TDA21801](#)
[LB11851FA-BH](#) [NCV70627DQ001R2G](#)