

# TLP250H, TLP250HF

## 1. Applications

- Industrial Inverters
- Air Conditioner Inverters
- IGBT Gate Drivers
- MOSFET Gate Drivers
- Induction Cooktop and Home Appliances

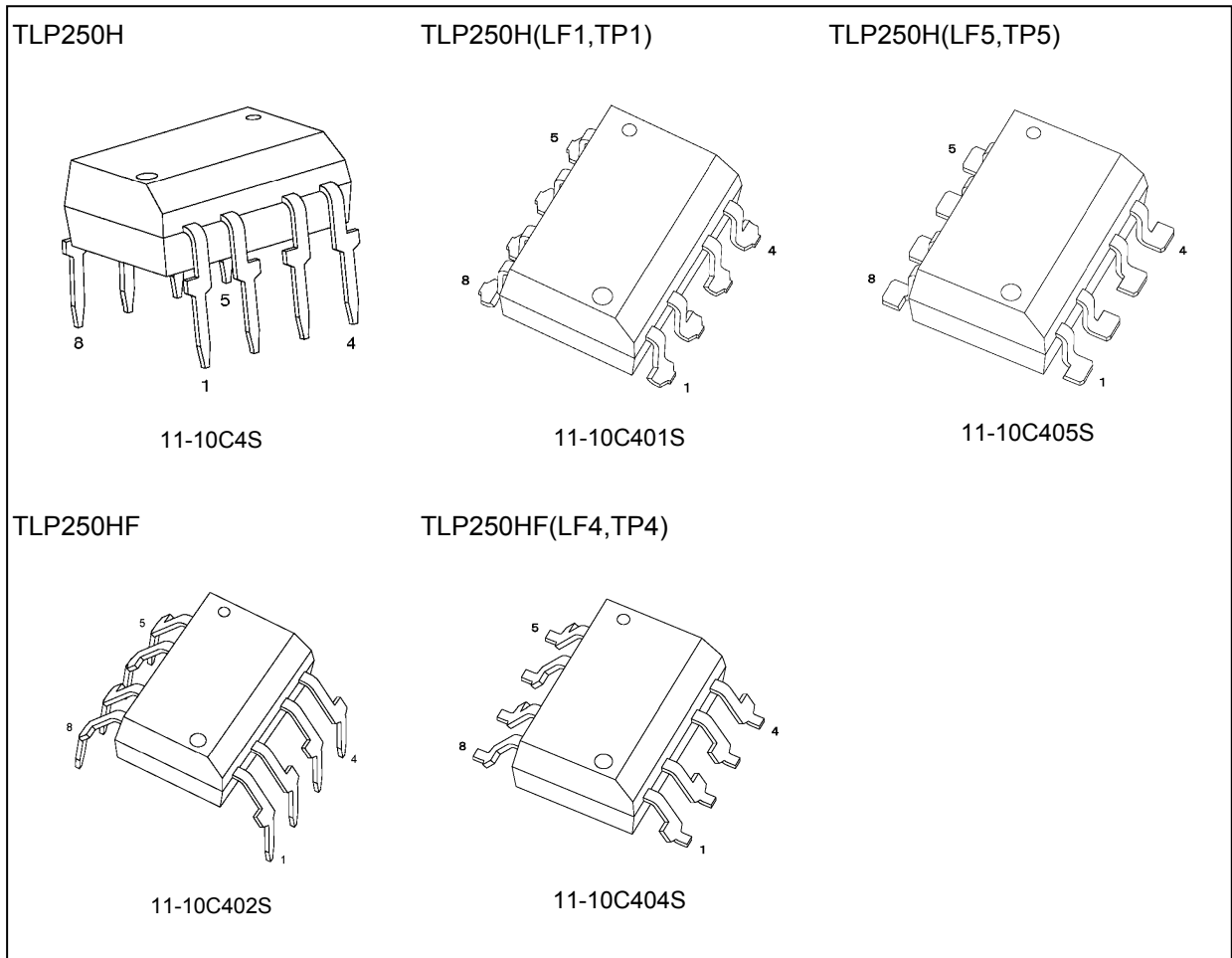
## 2. General

The TLP250H is a photocoupler in a DIP8 package that consists of a GaAs infrared light-emitting diode (LED) optically coupled to an integrated high-gain, high-speed photodetector IC chip. It provides guaranteed performance and specifications at temperatures up to 125 °C. The TLP250H has an internal Faraday shield that provides a guaranteed Common-mode transient immunity of  $\pm 40$  kV/ $\mu$ s. It has a totem-pole output that can both sink and source current. The TLP250H is ideal for IGBT and power MOSFET gate drive.

## 3. Features

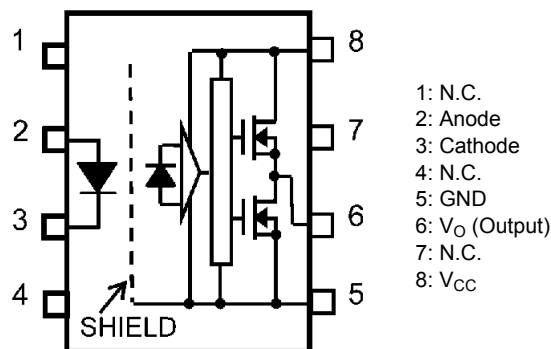
- (1) Buffer logic type (totem pole output)
  - (2) Output peak current:  $\pm 2.5$  A (max)
  - (3) Operating temperature: -40 to 125 °C
  - (4) Supply current: 3 mA (max)
  - (5) Supply voltage: 10 to 30 V
  - (6) Threshold input current: 5 mA (max)
  - (7) Propagation delay time: 500 ns (max)
  - (8) Common-mode transient immunity:  $\pm 40$  kV/ $\mu$ s (min)
  - (9) Isolation voltage: 3750 Vrms (min)
  - (10) Safety standards
    - UL-approved: UL1577, File No.E67349
    - cUL-approved: CSA Component Acceptance Service No.5A File No.E67349
    - VDE-approved: EN60747-5-5, EN60065 or EN60950-1 (**Note 1**)
- Note 1: When a VDE approved type is needed, please designate the **Option (D4)**.

**4. Packaging (Note)**



Note: Through-hole type: TLP250H, TLP250HF  
 Lead forming option: (LF1), (LF4), (LF5)  
 Taping option: (TP1), (TP4), (TP5)

**5. Pin Assignment**



**6. Internal Circuit (Note)**



Note: A 0.1- $\mu$ F bypass capacitor must be connected between pin 8 and pin 5.

**7. Principle of Operation**

**7.1. Truth Table**

| Input | LED | M1  | M2  | Output |
|-------|-----|-----|-----|--------|
| H     | ON  | ON  | OFF | H      |
| L     | OFF | OFF | ON  | L      |

**7.2. Mechanical Parameters**

| Characteristics              | 7.62-mm Pitch<br>TLP250H | 10.16-mm Pitch<br>TLP250HF | Unit |
|------------------------------|--------------------------|----------------------------|------|
| Creepage distances           | 7.0 (min)                | 8.0 (min)                  | mm   |
| Clearance distances          | 7.0 (min)                | 8.0 (min)                  |      |
| Internal isolation thickness | 0.4 (min)                | 0.4 (min)                  |      |

**8. Absolute Maximum Ratings (Note) (Unless otherwise specified,  $T_a = 25\text{ °C}$ )**

|          | Characteristics  | Symbol                        | Note     | Rating     | Unit  |
|----------|--|-------------------------------|----------|------------|-------|
| LED      | Input forward current  | $I_F$                         |          | 20         | mA    |
|          | Input forward current derating ( $T_a \geq 110\text{ °C}$ )                | $\Delta I_F / \Delta T_a$     |          | -0.54      | mA/°C |
|          | Peak transient input forward current                                       | $I_{FPT}$                     | (Note 1) | 1          | A     |
|          | Peak transient input forward current derating ( $T_a \geq 110\text{ °C}$ ) | $\Delta I_{FPT} / \Delta T_a$ |          | -25        | mA/°C |
|          | Input reverse voltage  | $V_R$                         |          | 6          | V     |
|          | Input power dissipation  | $P_D$                         |          | 40         | mW    |
|          | Input power dissipation derating ( $T_a \geq 110\text{ °C}$ )              | $\Delta P_D / \Delta T_a$     |          | -1.0       | mW/°C |
| Detector | Peak high-level output current ( $T_a = -40\text{ to }125\text{ °C}$ )     | $I_{OPH}$                     | (Note 2) | -2.5       | A     |
|          | Peak low-level output current ( $T_a = -40\text{ to }125\text{ °C}$ )      | $I_{OPL}$                     | (Note 2) | +2.5       |       |
|          | Output voltage   | $V_O$                         |          | 35         | V     |
|          | Supply voltage   | $V_{CC}$                      |          | 35         |       |
|          | Output power dissipation   | $P_O$                         |          | 260        | mW    |
|          | Output power dissipation derating ( $T_a \geq 110\text{ °C}$ )             | $\Delta P_O / \Delta T_a$     |          | -2.0       | mW/°C |
| Common   | Operating temperature  | $T_{opr}$                     |          | -40 to 125 | °C    |
|          | Storage temperature  | $T_{stg}$                     |          | -55 to 150 |       |
|          | Lead soldering temperature (10 s)  | $T_{sol}$                     | (Note 3) | 260        |       |
|          | Isolation voltage AC, 60 s, R.H. $\leq 60\%$                               | $BV_S$                        | (Note 4) | 3750       |       |

Note: Using continuously under heavy loads (e.g. the application of high temperature/current/voltage and the significant change in temperature, etc.) may cause this product to decrease in the reliability significantly even if the operating conditions (i.e. operating temperature/current/voltage, etc.) are within the absolute maximum ratings.

Please design the appropriate reliability upon reviewing the Toshiba Semiconductor Reliability Handbook ("Handling Precautions"/"Derating Concept and Methods") and individual reliability data (i.e. reliability test report and estimated failure rate, etc).

Note 1: Pulse width (PW)  $\leq 1\ \mu\text{s}$ , 300 pps

Note 2: Exponential waveform. Pulse width  $\leq 0.2\ \mu\text{s}$ ,  $f \leq 15\ \text{kHz}$ ,  $V_{CC} = 20\ \text{V}$ ,  $T_a = -40\text{ to }125\text{ °C}$   
 Exponential waveform. Pulse width  $\leq 0.08\ \mu\text{s}$ ,  $f \leq 25\ \text{kHz}$ ,  $V_{CC} = 15\ \text{V}$ ,  $T_a = -40\text{ to }125\text{ °C}$

Note 3:  $\geq 2\ \text{mm}$  below seating plane.

Note 4: This device is considered as a two-terminal device: Pins 1, 2, 3 and 4 are shorted together, and pins 5, 6, 7 and 8 are shorted together.

## 9. Recommended Operating Conditions (Note)

| Characteristics                | Symbol       | Note     | Min | Typ. | Max  | Unit |
|--------------------------------|--------------|----------|-----|------|------|------|
| Input on-state current         | $I_{F(ON)}$  | (Note 1) | 6.5 | —    | 10   | mA   |
| Input off-state voltage        | $V_{F(OFF)}$ |          | 0   | —    | 0.8  | V    |
| Supply voltage                 | $V_{CC}$     | (Note 2) | 10  | —    | 30   |      |
| Peak high-level output current | $I_{OPH}$    |          | —   | —    | -2.0 | A    |
| Peak low-level output current  | $I_{OPL}$    |          | —   | —    | +2.0 |      |
| Operating frequency            | f            | (Note 3) | —   | —    | 250  | kHz  |

Note: The recommended operating conditions are given as a design guide necessary to obtain the intended performance of the device. Each parameter is an independent value. When creating a system design using this device, the electrical characteristics specified in this datasheet should also be considered.

Note: A ceramic capacitor (0.1  $\mu$ F) should be connected between pin 8 and pin 5 to stabilize the operation of a high-gain linear amplifier. Otherwise, this photocoupler may not switch properly. The bypass capacitor should be placed within 1 cm of each pin.

Note: If the rising slope of the supply voltage ( $V_{CC}$ ) for the detector is steep, stable operation of the internal circuits cannot be guaranteed.

Be sure to set 3.0 V/ $\mu$ s or less for a rising slope of the  $V_{CC}$ .

Note 1: The rise and fall times of the input on-current should be less than 0.5  $\mu$ s.

Note 2: Denotes the operating range, not the recommended operating condition.

Note 3: Exponential waveform.  $I_{OPH} \geq -0.65$  A ( $\leq 80$  ns),  $I_{OPL} \leq 0.65$  A ( $\leq 80$  ns),  $T_a = 125$  °C,  $V_{CC} = 20$  V

**10. Electrical Characteristics (Note)(Unless otherwise specified,  $T_a = -40$  to  $125$  °C)**

| Characteristics                               | Symbol                    | Note     | Test Circuit | Test Condition   | Min  | Typ.  | Max   | Unit  |
|---|---------------------------|----------|--------------|--|------|-------|-------|-------|
| Input forward voltage                         | $V_F$                     |          |              | $I_F = 10$ mA, $T_a = 25$ °C                                       | 1.4  | 1.57  | 1.8   | V     |
| Input forward voltage temperature coefficient | $\Delta V_F / \Delta T_a$ |          |              | $I_F = 10$ mA  | —    | -1.8  | —     | mV/°C |
| Input reverse current                         | $I_R$                     |          |              | $V_R = 5$ V, $T_a = 25$ °C   | —    | —     | 10    | μA    |
| Input capacitance                             | $C_t$                     |          |              | $V = 0$ V, $f = 1$ MHz, $T_a = 25$ °C                              | —    | 45    | —     | pF    |
| Peak high-level output current                | $I_{OPH}$                 | (Note 1) | Fig. 12.1.1  | $I_F = 5$ mA, $V_{CC} = 30$ V, $V_{8-6} = -3.5$ V                  | —    | -2.2  | -1.0  | A     |
|   |                           |          |              | $I_F = 5$ mA, $V_{CC} = 15$ V, $V_{8-6} = -7.0$ V                  | —    | -3.4  | -2.0  |       |
| Peak low-level output current                 | $I_{OPL}$                 | (Note 1) | Fig. 12.1.2  | $I_F = 0$ mA, $V_{CC} = 30$ V, $V_{6-5} = 2.5$ V                   | 1.0  | 2.4   | —     | A     |
|   |                           |          |              | $I_F = 0$ mA, $V_{CC} = 15$ V, $V_{6-5} = 7.0$ V                   | 2.0  | 3.5   | —     |       |
| High-level output voltage                     | $V_{OH}$                  |          | Fig. 12.1.3  | $I_F = 5$ mA, $R_L = 200$ Ω, $V_{CC1} = +15$ V, $V_{EE1} = -15$ V  | 11.0 | 13.7  | —     | V     |
| Low-level output voltage                      | $V_{OL}$                  |          | Fig. 12.1.4  | $V_F = 0.8$ V, $R_L = 200$ Ω, $V_{CC1} = +15$ V, $V_{EE1} = -15$ V | —    | -14.9 | -12.5 |       |
| High-level supply current                     | $I_{CCH}$                 |          | Fig. 12.1.5  | $I_F = 10$ mA, $V_{CC} = 30$ V, $V_O = \text{Open}$                | —    | 1.9   | 3.0   | mA    |
| Low-level supply current                      | $I_{CCL}$                 |          | Fig. 12.1.6  | $I_F = 0$ mA, $V_{CC} = 30$ V, $V_O = \text{Open}$                 | —    | 1.8   | 3.0   |       |
| Threshold input current (L/H)                 | $I_{FLH}$                 |          |              | $V_{CC} = 15$ V, $V_O > 1$ V                                       | —    | 1.0   | 5     | V     |
| Threshold input voltage (H/L)                 | $V_{FHL}$                 |          |              | $V_{CC} = 15$ V, $V_O < 1$ V                                       | 0.8  | 1.47  | —     |       |
| Supply voltage                                | $V_{CC}$                  |          |              | —  | 10   | —     | 30    |       |
| UVLO threshold voltage                        | $V_{UVLO+}$               |          |              | $I_F = 5$ mA, $V_O > 2.5$ V  | 7.5  | 8.7   | 9.5   |       |
|   | $V_{UVLO-}$               |          |              | $I_F = 5$ mA, $V_O < 2.5$ V  | 7.5  | 8.4   | 9.5   |       |
| UVLO hysteresis                               | $UVLO_{HYS}$              |          |              | —  | —    | 0.3   | —     |       |

Note: All typical values are at  $T_a = 25$  °C.

Note: This device is designed for low power consumption, making it more sensitive to ESD than its predecessors. Extra care should be taken in the design of circuitry and pc board implementation to avoid ESD problems.

Note 1:  $I_O$  application time  $\leq 50$  μs, single pulse.

**11. Isolation Characteristics (Unless otherwise specified,  $T_a = 25$  °C)**

| Characteristics                     | Symbol | Note     | Test Condition                  | Min                | Typ.      | Max | Unit |
|-------------------------------------|--------|----------|---------------------------------|--------------------|-----------|-----|------|
| Total capacitance (input to output) | $C_S$  | (Note 1) | $V_S = 0$ V, $f = 1$ MHz        | —                  | 0.35      | —   | pF   |
| Isolation resistance                | $R_S$  | (Note 1) | $V_S = 500$ V, R.H. $\leq 60$ % | $1 \times 10^{12}$ | $10^{14}$ | —   | Ω    |
| Isolation voltage                   | $BV_S$ | (Note 1) | AC, 60 s                        | 3750               | —         | —   | Vrms |
|                                     |        |          | AC, 1 s in oil                  | —                  | 10000     | —   |      |
|                                     |        |          | DC, 60 s in oil                 | —                  | 10000     | —   | Vdc  |

Note 1: This device is considered as a two-terminal device: Pins 1, 2, 3 and 4 are shorted together, and pins 5, 6, 7 and 8 are shorted together.

**12. Switching Characteristics (Note)(Unless otherwise specified,  $T_a = -40$  to  $125$  °C)**

| Characteristics                               | Symbol                | Note               | Test Circuit | Test Condition  | Min      | Typ. | Max | Unit        |
|---|-----------------------|--------------------|--------------|---|----------|------|-----|-------------|
| Propagation delay time (L/H)                  | $t_{pLH}$             | (Note 1)           | Fig. 12.1.7  | $I_F = 0 \rightarrow 10$ mA, $V_{CC} = 30$ V, $R_g = 20$ $\Omega$ , $C_g = 10$ nF                     | 100      | —    | 500 | ns          |
| Propagation delay time (H/L)                  | $t_{pHL}$             | (Note 1)           |              | $I_F = 10 \rightarrow 0$ mA, $V_{CC} = 30$ V, $R_g = 20$ $\Omega$ , $C_g = 10$ nF                     | 100      | —    | 500 |             |
| Pulse width distortion                        | $ t_{pHL} - t_{pLH} $ | (Note 1)           |              | $I_F = 0 \leftrightarrow 10$ mA, $V_{CC} = 30$ V, $R_g = 20$ $\Omega$ , $C_g = 10$ nF                 | —        | —    | 50  |             |
| Propagation delay skew (device to device)     | $t_{psk}$             | (Note 1), (Note 4) |              | $I_F = 0 \leftrightarrow 10$ mA, $V_{CC} = 30$ V, $R_g = 20$ $\Omega$ , $C_g = 10$ nF                 | -150     | —    | 150 |             |
| Rise time                                     | $t_r$                 | (Note 1)           |              | $I_F = 0 \rightarrow 10$ mA, $V_{CC} = 30$ V, $R_g = 20$ $\Omega$ , $C_g = 10$ nF                     | —        | 50   | —   |             |
| Fall time                                     | $t_f$                 | (Note 1)           |              | $I_F = 10 \rightarrow 0$ mA, $V_{CC} = 30$ V, $R_g = 20$ $\Omega$ , $C_g = 10$ nF                     | —        | 50   | —   |             |
| Common-mode transient immunity at output high | $CM_H$                | (Note 2)           | Fig. 12.1.8  | $V_{CM} = 1000$ V <sub>p-p</sub> , $I_F = 10$ mA, $V_{CC} = 30$ V, $T_a = 25$ °C, $V_{O(min)} = 26$ V | $\pm 40$ | —    | —   | kV/ $\mu$ s |
| Common-mode transient immunity at output low  | $CM_L$                | (Note 3)           |              | $V_{CM} = 1000$ V <sub>p-p</sub> , $I_F = 0$ mA, $V_{CC} = 30$ V, $T_a = 25$ °C, $V_{O(max)} = 1$ V   | $\pm 40$ | —    | —   |             |

Note: All typical values are at  $T_a = 25$  °C.

Note 1: Input signal ( $f = 250$  kHz, duty = 50 %,  $t_r = t_f = 5$  ns or less).

$C_L$  is approximately 15 pF which includes probe and stray wiring capacitance.

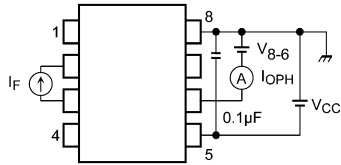
Note 2:  $CM_H$  is the maximum rate of rise of the common mode voltage that can be sustained with the output voltage in the logic high state ( $V_O > 26$  V).

Note 3:  $CM_L$  is the maximum rate of fall of the common mode voltage that can be sustained with the output voltage in the logic low state ( $V_O < 1$  V).

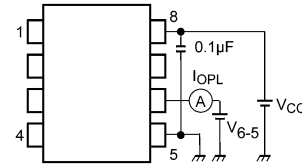
Note 4: The propagation delay skew,  $t_{psk}$ , is equal to the magnitude of the worst-case difference in  $t_{pHL}$  and/or  $t_{pLH}$  that will be seen between units at the same given conditions (supply voltage, input current, temperature, etc).

**13. Test Circuits and Characteristics Curves**

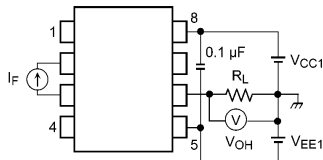
**13.1. Test Circuits**



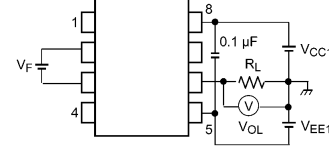
**Fig. 13.1.1 I<sub>OPH</sub> Test Circuit**



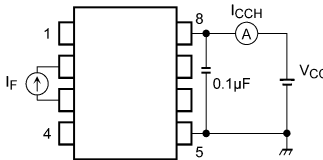
**Fig. 13.1.2 I<sub>OPL</sub> Test Circuit**



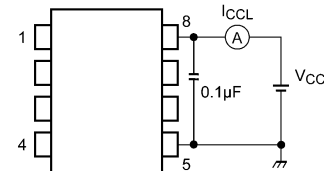
**Fig. 13.1.3 V<sub>OH</sub> Test Circuit**



**Fig. 13.1.4 V<sub>OL</sub> Test Circuit**



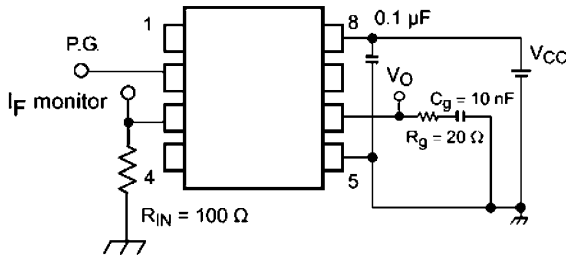
**Fig. 13.1.5 I<sub>CCH</sub> Test Circuit**



**Fig. 13.1.6 I<sub>CCL</sub> Test Circuit**

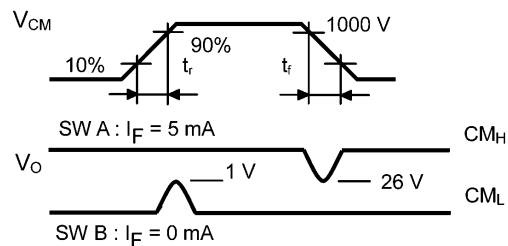
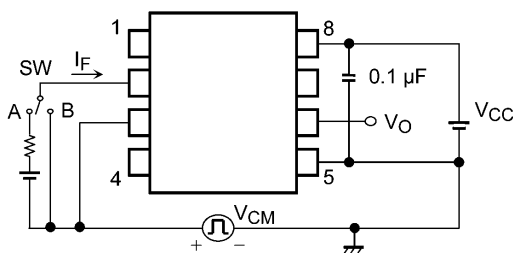
I<sub>F</sub> = 10 mA (P.G.)

(f = 250 kHz, duty = 50 %, t<sub>r</sub> = t<sub>f</sub> 5 ns or less)



P.G.: Pulse generator

**Fig. 13.1.7 Switching Time Test Circuit and Waveform**



$$CM_L = \frac{800(V)}{t_r(\mu s)} \quad CM_H = -\frac{800(V)}{t_f(\mu s)}$$

CM<sub>L</sub> (CM<sub>H</sub>) is the maximum rate of rise (fall) of the common mode voltage that can be sustained with the output voltage in the low (high) state.

**Fig. 13.1.8 Common-Mode Transient Immunity Test Circuit and Waveform**



## 14. Soldering and Storage

### 14.1. Precautions for Soldering

The soldering temperature should be controlled as closely as possible to the conditions shown below, irrespective of whether a soldering iron or a reflow soldering method is used.

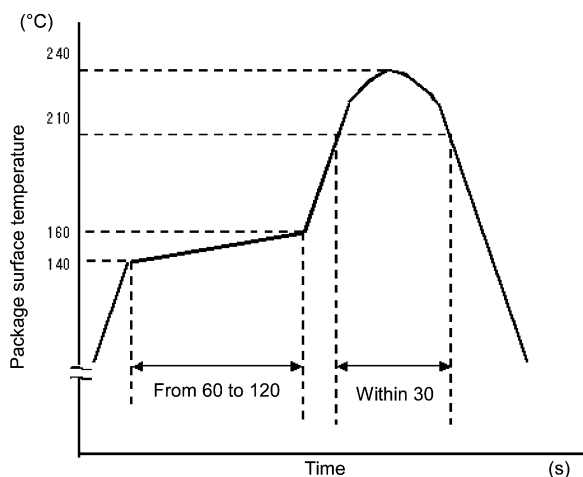
- When using soldering reflow.

The soldering temperature profile is based on the package surface temperature.

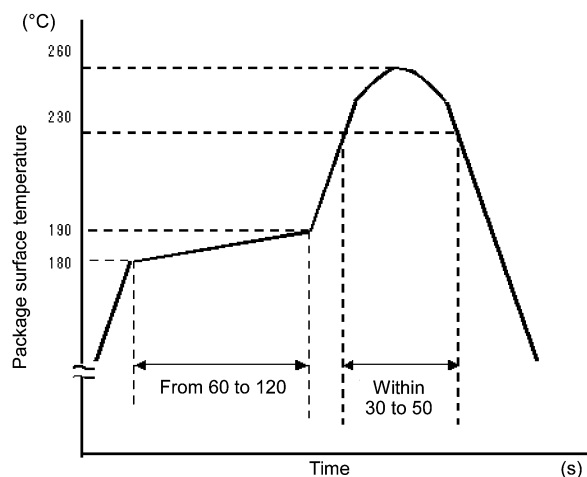
(See the figure shown below, which is based on the package surface temperature.)

Reflow soldering must be performed once or twice.

The mounting should be completed with the interval from the first to the last mountings being 2 weeks.



**Fig. 14.1.1 An Example of a Temperature Profile When Sn-Pb Eutectic Solder Is Used**



**Fig. 14.1.2 An Example of a Temperature Profile When Lead(Pb)-Free Solder Is Used**

- When using soldering flow (Applicable to both eutectic solder and Lead(Pb)-Free solder)  
Preheat the device at a temperature of 150 °C (package surface temperature) for 60 to 120 seconds.  
Mounting condition of 260 °C within 10 seconds is recommended.  
Flow soldering must be performed once.
- When using soldering Iron  
Complete soldering within 10 seconds for lead temperature not exceeding 260 °C or within 3 seconds not exceeding 350 °C  
Heating by soldering iron must be done only once per lead.

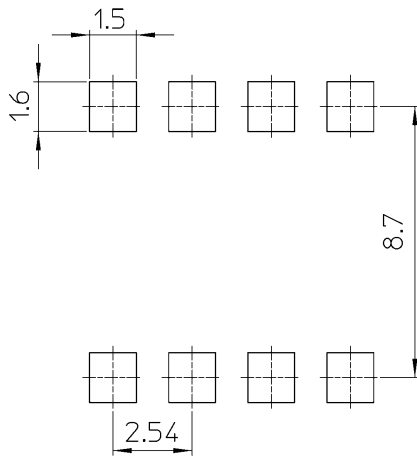
### 14.2. Precautions for General Storage

- Avoid storage locations where devices may be exposed to moisture or direct sunlight.
- Follow the precautions printed on the packing label of the device for transportation and storage.
- Keep the storage location temperature and humidity within a range of 5 °C to 35 °C and 45 % to 75 %, respectively.
- Do not store the products in locations with poisonous gases (especially corrosive gases) or in dusty conditions.
- Store the products in locations with minimal temperature fluctuations. Rapid temperature changes during storage can cause condensation, resulting in lead oxidation or corrosion, which will deteriorate the solderability of the leads.
- When restoring devices after removal from their packing, use anti-static containers.
- Do not allow loads to be applied directly to devices while they are in storage.
- If devices have been stored for more than two years under normal storage conditions, it is recommended that you check the leads for ease of soldering prior to use.

**15. Land Pattern Dimensions (for reference only)**

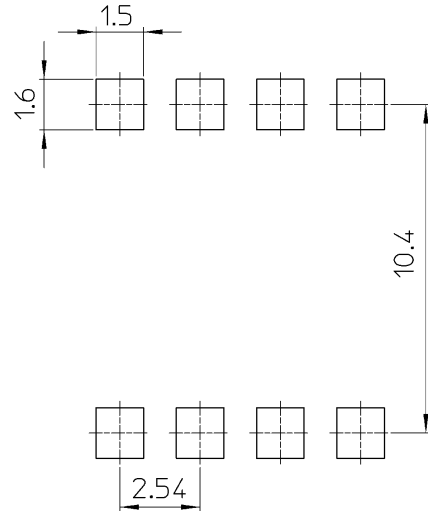
Unit: mm

TLP250H



**Fig. 15.1 Lead forming and taping option (LF1), (TP1), (LF5), (TP5)**

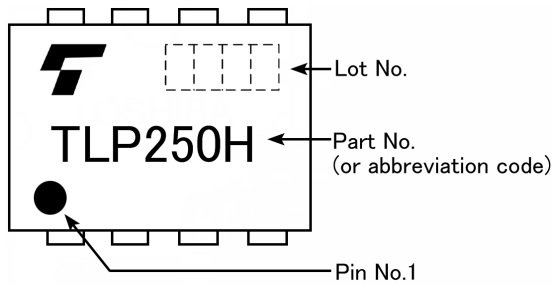
TLP250HF



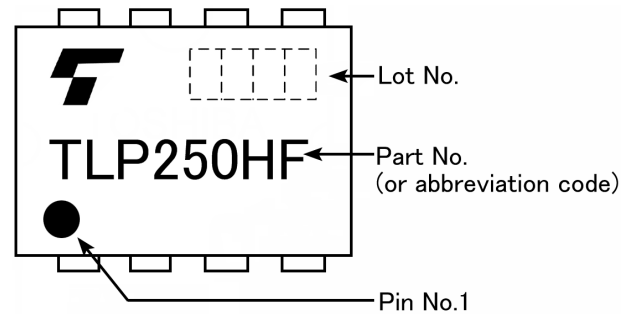
**Fig. 15.2 Lead forming and taping option (LF4), (TP4)**

**16. Marking (Note)**

TLP250H



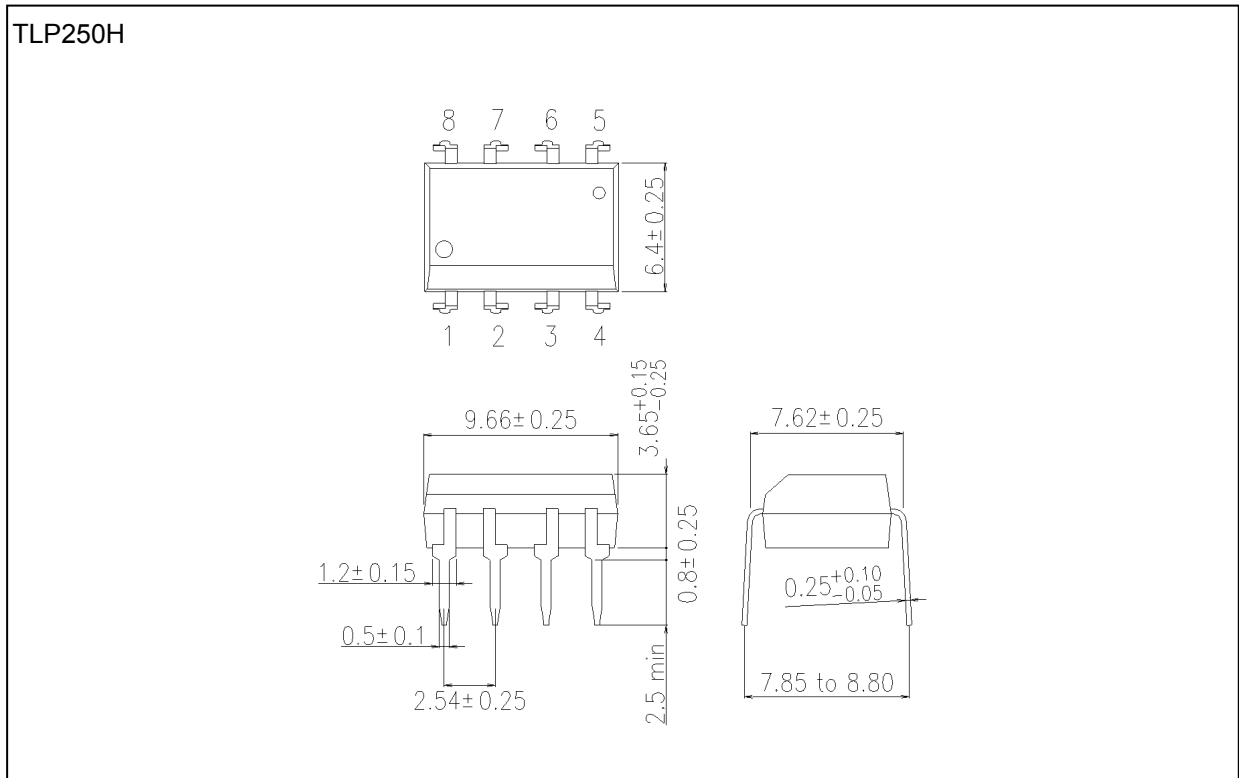
TLP250HF



Note: A different marking is used for photocouplers that have been qualified according to option (D4) of EN60747.

**Package Dimensions**

Unit: mm

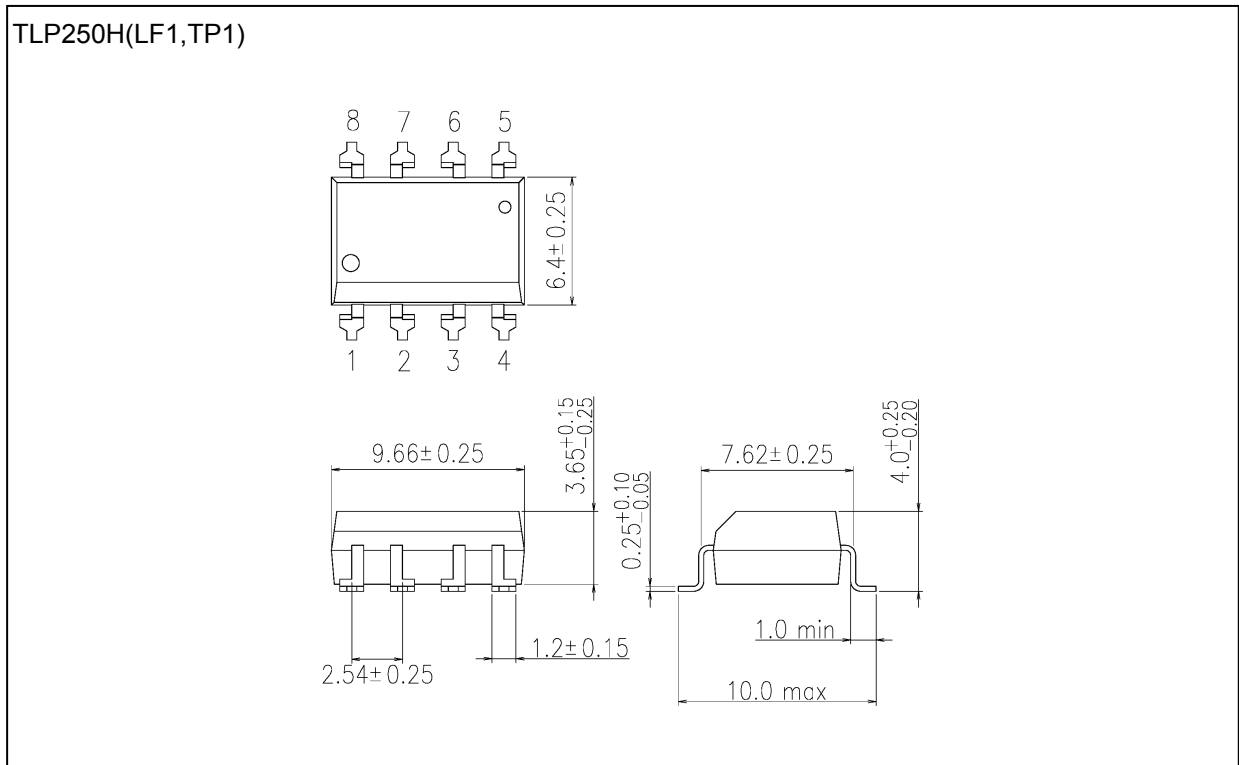


Weight: 0.54 g (typ.)

| Package Name(s)   |
|-------------------|
| TOSHIBA: 11-10C4S |

**Package Dimensions**

Unit: mm

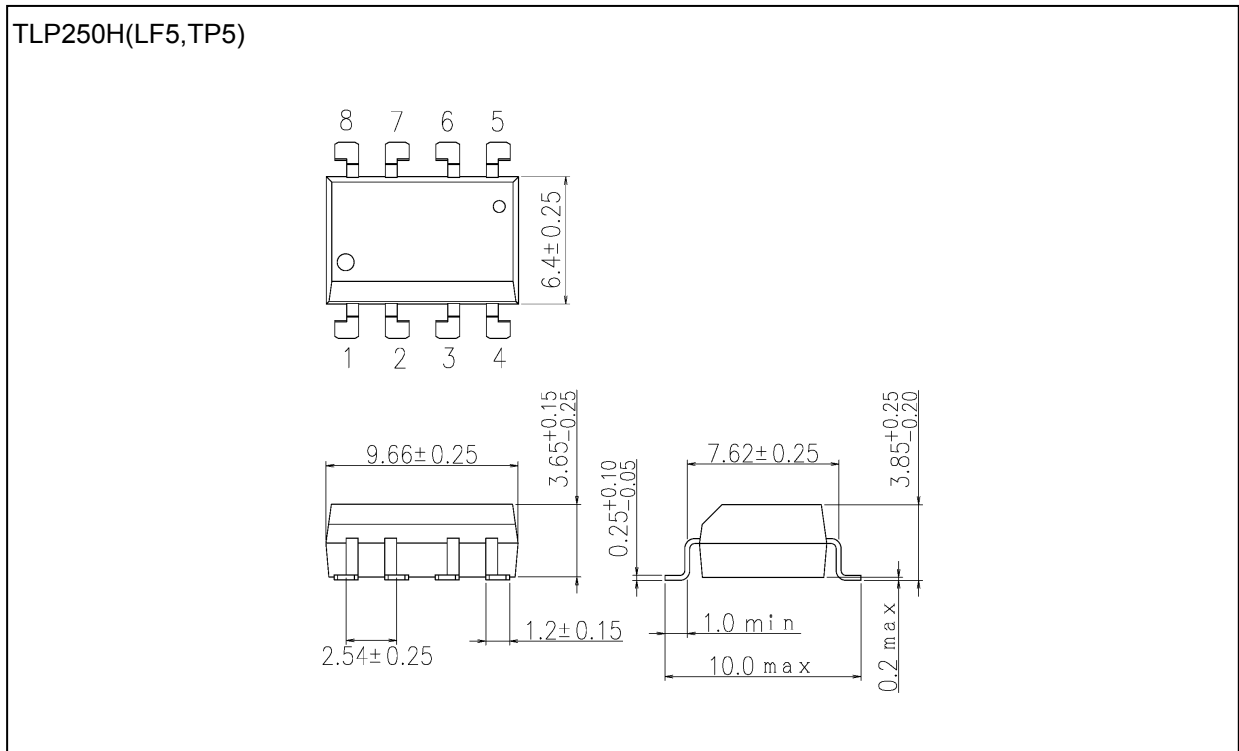


Weight: 0.53 g (typ.)

| Package Name(s)     |
|---------------------|
| TOSHIBA: 11-10C401S |

**Package Dimensions**

Unit: mm

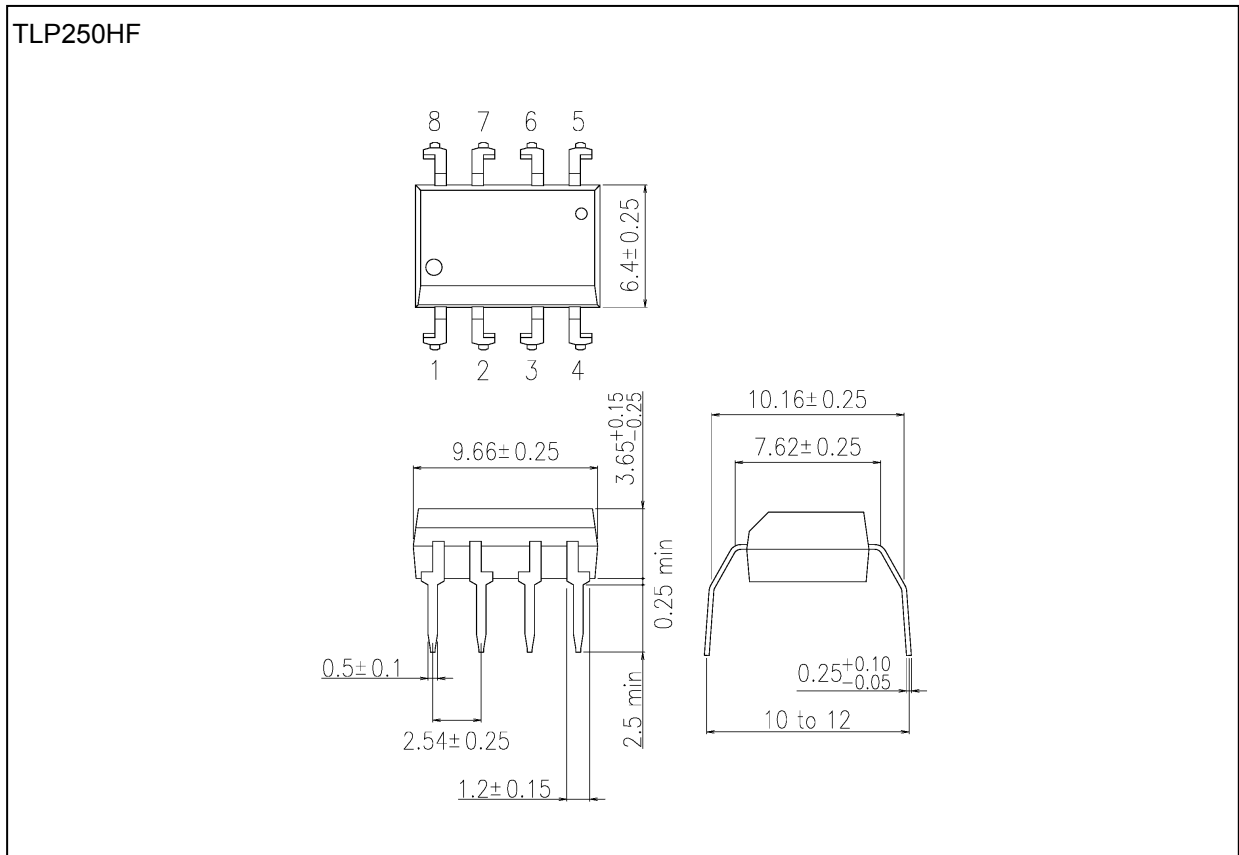


Weight: 0.53 g (typ.)

| Package Name(s)     |
|---------------------|
| TOSHIBA: 11-10C405S |

**Package Dimensions**

Unit: mm

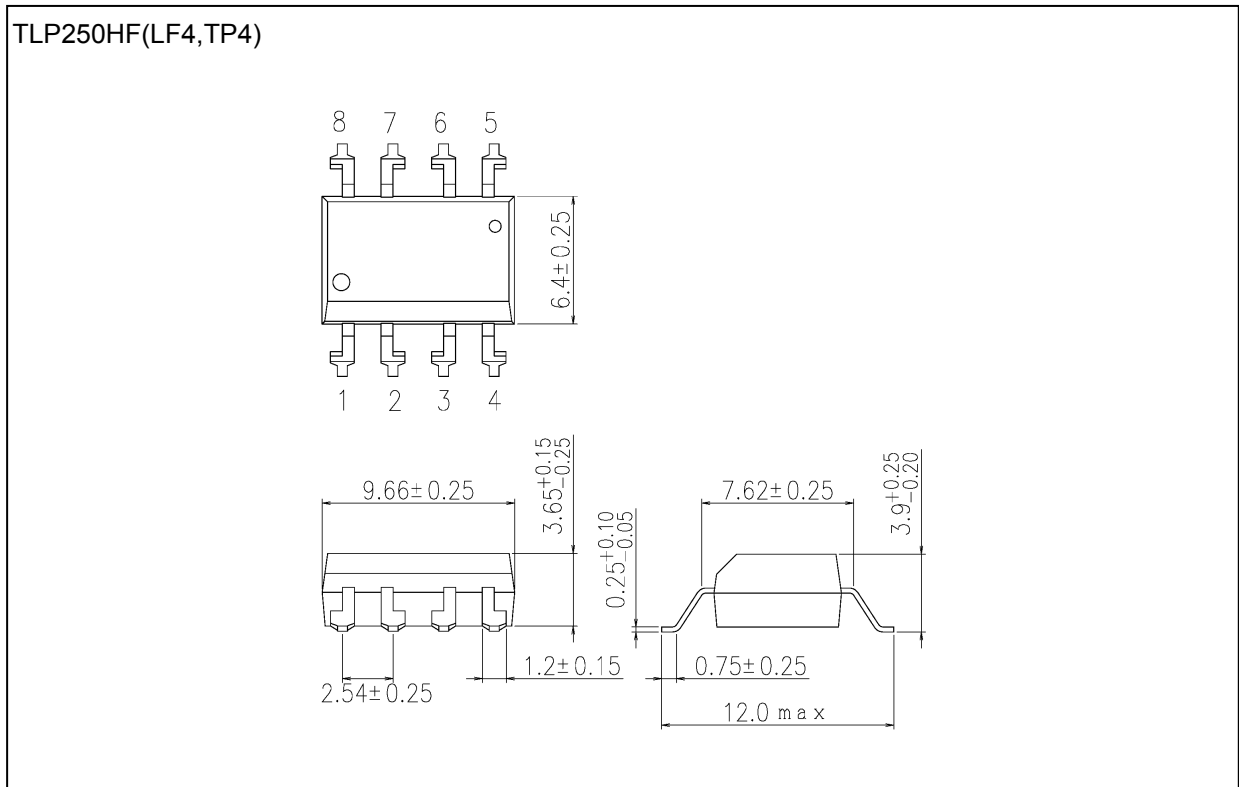


Weight: 0.54 g (typ.)

| Package Name(s)     |
|---------------------|
| TOSHIBA: 11-10C402S |

**Package Dimensions**

Unit: mm



Weight: 0.53 g (typ.)

| Package Name(s)     |
|---------------------|
| TOSHIBA: 11-10C404S |

## RESTRICTIONS ON PRODUCT USE

- Toshiba Corporation, and its subsidiaries and affiliates (collectively "TOSHIBA"), reserve the right to make changes to the information in this document, and related hardware, software and systems (collectively "Product") without notice.
- This document and any information herein may not be reproduced without prior written permission from TOSHIBA. Even with TOSHIBA's written permission, reproduction is permissible only if reproduction is without alteration/omission.
- Though TOSHIBA works continually to improve Product's quality and reliability, Product can malfunction or fail. Customers are responsible for complying with safety standards and for providing adequate designs and safeguards for their hardware, software and systems which minimize risk and avoid situations in which a malfunction or failure of Product could cause loss of human life, bodily injury or damage to property, including data loss or corruption. Before customers use the Product, create designs including the Product, or incorporate the Product into their own applications, customers must also refer to and comply with (a) the latest versions of all relevant TOSHIBA information, including without limitation, this document, the specifications, the data sheets and application notes for Product and the precautions and conditions set forth in the "TOSHIBA Semiconductor Reliability Handbook" and (b) the instructions for the application with which the Product will be used with or for. Customers are solely responsible for all aspects of their own product design or applications, including but not limited to (a) determining the appropriateness of the use of this Product in such design or applications; (b) evaluating and determining the applicability of any information contained in this document, or in charts, diagrams, programs, algorithms, sample application circuits, or any other referenced documents; and (c) validating all operating parameters for such designs and applications. **TOSHIBA ASSUMES NO LIABILITY FOR CUSTOMERS' PRODUCT DESIGN OR APPLICATIONS.**
- **PRODUCT IS NEITHER INTENDED NOR WARRANTED FOR USE IN EQUIPMENTS OR SYSTEMS THAT REQUIRE EXTRAORDINARILY HIGH LEVELS OF QUALITY AND/OR RELIABILITY, AND/OR A MALFUNCTION OR FAILURE OF WHICH MAY CAUSE LOSS OF HUMAN LIFE, BODILY INJURY, SERIOUS PROPERTY DAMAGE AND/OR SERIOUS PUBLIC IMPACT ("UNINTENDED USE").** Except for specific applications as expressly stated in this document, Unintended Use includes, without limitation, equipment used in nuclear facilities, equipment used in the aerospace industry, medical equipment, equipment used for automobiles, trains, ships and other transportation, traffic signaling equipment, equipment used to control combustions or explosions, safety devices, elevators and escalators, devices related to electric power, and equipment used in finance-related fields. **IF YOU USE PRODUCT FOR UNINTENDED USE, TOSHIBA ASSUMES NO LIABILITY FOR PRODUCT.** For details, please contact your TOSHIBA sales representative.
- Do not disassemble, analyze, reverse-engineer, alter, modify, translate or copy Product, whether in whole or in part.
- Product shall not be used for or incorporated into any products or systems whose manufacture, use, or sale is prohibited under any applicable laws or regulations.
- The information contained herein is presented only as guidance for Product use. No responsibility is assumed by TOSHIBA for any infringement of patents or any other intellectual property rights of third parties that may result from the use of Product. No license to any intellectual property right is granted by this document, whether express or implied, by estoppel or otherwise.
- **ABSENT A WRITTEN SIGNED AGREEMENT, EXCEPT AS PROVIDED IN THE RELEVANT TERMS AND CONDITIONS OF SALE FOR PRODUCT, AND TO THE MAXIMUM EXTENT ALLOWABLE BY LAW, TOSHIBA (1) ASSUMES NO LIABILITY WHATSOEVER, INCLUDING WITHOUT LIMITATION, INDIRECT, CONSEQUENTIAL, SPECIAL, OR INCIDENTAL DAMAGES OR LOSS, INCLUDING WITHOUT LIMITATION, LOSS OF PROFITS, LOSS OF OPPORTUNITIES, BUSINESS INTERRUPTION AND LOSS OF DATA, AND (2) DISCLAIMS ANY AND ALL EXPRESS OR IMPLIED WARRANTIES AND CONDITIONS RELATED TO SALE, USE OF PRODUCT, OR INFORMATION, INCLUDING WARRANTIES OR CONDITIONS OF MERCHANTABILITY, FITNESS FOR A PARTICULAR PURPOSE, ACCURACY OF INFORMATION, OR NONINFRINGEMENT.**
- GaAs (Gallium Arsenide) is used in Product. GaAs is harmful to humans if consumed or absorbed, whether in the form of dust or vapor. Handle with care and do not break, cut, crush, grind, dissolve chemically or otherwise expose GaAs in Product.
- Do not use or otherwise make available Product or related software or technology for any military purposes, including without limitation, for the design, development, use, stockpiling or manufacturing of nuclear, chemical, or biological weapons or missile technology products (mass destruction weapons). Product and related software and technology may be controlled under the applicable export laws and regulations including, without limitation, the Japanese Foreign Exchange and Foreign Trade Law and the U.S. Export Administration Regulations. Export and re-export of Product or related software or technology are strictly prohibited except in compliance with all applicable export laws and regulations.
- Please contact your TOSHIBA sales representative for details as to environmental matters such as the RoHS compatibility of Product. Please use Product in compliance with all applicable laws and regulations that regulate the inclusion or use of controlled substances, including without limitation, the EU RoHS Directive. **TOSHIBA ASSUMES NO LIABILITY FOR DAMAGES OR LOSSES OCCURRING AS A RESULT OF NONCOMPLIANCE WITH APPLICABLE LAWS AND REGULATIONS.**



## X-ON Electronics

Largest Supplier of Electrical and Electronic Components

*Click to view similar products for [Logic Output Opto-couplers](#) category:*

*Click to view products by [Toshiba](#) manufacturer:*

Other Similar products are found below :

[CPC1590P](#) [TLP705A\(F\)](#) [TLP700A\(F\)](#) [FOD3150](#) [VO3120-X001](#) [ACPL-W343-560E](#) [ACPL-W340-560E](#) [H11L2S\(TA\)-V](#) [ACNW3410-500E](#)  
[ACPL-P347-500E](#) [ACPL-P347-560E](#) [ACNT-H343-500E](#) [H11L1S\(TA\)](#) [H11L3SR2M](#) [HCPL3700SD](#) [HCPL-J312-000E](#) [TLP155E\(TPL,E\)](#)  
[TLP2345\(E,T\)](#) [TLP2348\(E,T\)](#) [TLP350H\(F\)](#) [TLP701AF\(F\)](#) [FOD8333](#) [TLP351H\(F\)](#) [TLP5214\(TP,E,O\)](#) [TLP5702\(TP,E\)](#) [TLP351H\(TP1,F\)](#)  
[FOD3120SDV](#) [FOD8160](#) [FOD3184TSR2V](#) [6N140A#300](#) [6N140A/883B](#) [HCPL-0466-500E](#) [HCPL-6750](#) [TLP700AF\(F\)](#) [TLP152\(TPL,E\)](#)  
[HCPL-5730](#) [OPIA804DTUE](#) [8302401EA](#) [H11L1](#) [HCPL-3700](#) [TLP251\(F\)](#) [TLP250\(F\)](#) [VO3150A-X017T](#) [TLP5214A\(D4-TP,E\)](#) [ACPL-P314-000E](#) [FOD8333R2](#) [ACNW3190-300E](#) [ACPL-32JT-500E](#) [ACPL-3130-000E](#) [ACPL-331J-500E](#)