

FIBER OPTIC RECEIVING MODULE

TORX1355(V,F)

GENERAL PURPOSE OPTICAL RECEIVING MODULE

- For JIS F05 Optical Connector
- CMOS level Interface
- +5 V Single Power Supply
- ATC (Automatic Threshold Control) circuit built-in
- Low current consumption 1.5 mA max (Active) / 70 μ A max (Standby)
- Vertical mounting type

1. Absolute Maximum Ratings (Ta = 25°C)

Characteristics	Symbol	Rating	Unit
Storage Temperature	T _{stg}	-40 to 95	°C
Operating Temperature	T _{opr}	-40 to 85	°C
Supply Voltage	V _{CC}	-0.5 to 6	V
High Level Output Current	I _{OH}	-5	mA
Low Level Output Current	I _{OL}	5	mA
Soldering Temperature	T _{sol}	260 (Note 1)	°C

Note 1: Soldering time \leq 10 s (More than 1 mm apart from the package).

Using continuously under heavy loads (e.g. the application of high temperature/current/voltage and the significant change in temperature, etc.) may cause this product to decrease in the reliability significantly even if the operating conditions (i.e. operating temperature/ current/ voltage, etc.) are within the absolute maximum ratings. Please design the appropriate reliability upon reviewing the Toshiba Semiconductor Reliability Handbook ("Handling Precautions"/"derating Concept and Methods") and individual reliability data (i.e. reliability test report and estimated failure rate, etc.).

2. Operating Ranges

Characteristics	Symbol	Min	Typ.	Max	Unit
Supply Voltage	V _{CC}	4.75	5.0	5.25	V
Data Rate		DC	-	10	Mb / s
High Level Output Current	I _{OH}	-	-	-0.4	mA
Low Level Output Current	I _{OL}	-	-	0.4	mA

Start of commercial production
2015-05

3. Electrical and Optical Characteristics (Ta = 25°C, Vcc = 5 V)

Characteristics		Symbol	Test Condition	Min	Typ.	Max	Unit
Data Rate			NRZ Code (Note 2)	DC	-	10	Mb / s
Transmission Distance (Note 4)			Using APF (Note 3) and TOTX1350(V,F)	0.2	-	10	m
Transmission Distance (Note 5)			Using TOTX1350(V,F) and TOCA1300	-	23.6	-	mm
			Using TOTX1350(V,F) and TOCA1301	-	34.0	-	mm
Pulse Width Distortion (Note 4) (Note 6)		Δtw		-30	-	30	%
Maximum Receivable Power (Note 7)		P _{MAX}	Using APF (Note 3), DC to 10 Mb / s	0	-	-	dBm
Minimum Receivable Power (Note 7)		P _{MIN}	Using APF (Note 3), DC to 10 Mb / s	-	-	-19	dBm
Current Consumption	Active (Optical flux on)	I _{CC(1)}	V _{CC} = 5.25 V, C _L = 10 pF	-	0.6	1.5	mA
	Standby (No optical flux on)	I _{CC(2)}	V _{CC} = 5.25 V, C _L = 10 pF	-	-	70	μA
High Level Output Voltage		V _{OH}	V _{CC} = 4.75 V, I _{OH} = -0.4 mA	4.2	4.6	-	V
Low Level Output Voltage		V _{OL}	V _{CC} = 4.75 V, I _{OL} = 0.4 mA	-	0.1	0.4	V

Note 2: High level output when optical flux is received. Low level output when it is not received.

Note 3: All Plastic Fiber (980 μm core / 1000 μm cladding, NA = 0.5), Polished surface.

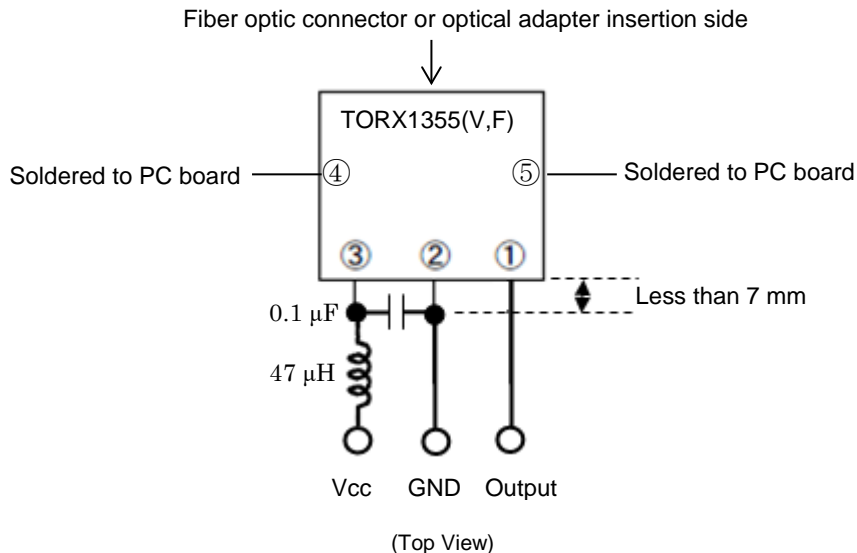
Note 4: A value changes with LED drive circuits.

Note 5: A distance between fixing pin of TOTX1350(V,F) and fixing pin of TORX1355(V,F) when they connect with optical adapter (TOCA1300 or TOCA1301).

Note 6: Between input of driver circuit of TOTX1350(V,F) and output of TORX1355(V,F).

Note 7: BER ≤ 10⁻⁹, Valued by peak.

4. Application Circuit



5. Applicable Optical Fiber with Fiber Optic Connectors

All Plastic Fiber (980 μm core / 1000 μm cladding, NA = 0.5).

F05 type optical connector with polished surface.

6. Applicable Optical Adapters

TOCA1300, TOCA1301

7. Precautions during use

- (1) **Absolute maximum rating**

The absolute maximum ratings are the limit values which must not be exceeded during operation of device. Any rating value must not be exceeded. If the maximum rating value is exceeded, the characteristics of devices may never be recovered properly. In extreme cases, the device may be permanently damaged.
- (2) **Operating Range**

The operating range is the range of conditions necessary for the device to operate as specified in individual technical datasheets and data books. Care must be exercised in the design of the equipment. If a device is used under conditions that do not exceed absolute maximum ratings but exceed the operating range, the specifications related to device operation and electrical characteristics may not be met, resulting in a decrease in reliability.

If greater reliability is required, derate the device's operating ranges for voltage, current, power and temperature before use.
- (3) **Soldering**

Optical modules are comprised of internal semiconductor devices. However, in principle, optical modules are optical components. During soldering, ensure that flux does not contact with the emitting surface or detecting surface. Also ensure that proper flux removal is conducted after soldering.

This optical module comes with a protective cap. The protective cap is used to avoid malfunction when the optical module is not in use. Note that it is not dust or waterproof.

As mentioned before, optical modules are optical component. Thus, in principle, soldering where there may be flux residue or flux removal after soldering are not recommended. Toshiba recommends that soldering be performed without the optical module mounted on the board. Then, after the board is cleaned, solder the optical module manually. Do not perform any further cleaning.

If the optical module cannot be soldered manually, use non-halogen (chlorine-free) flux and make sure, without cleaning, there is no residue such as chlorine.
- (4) **Noise resistance**

Use a simple noise filter on the fiber optic receiving module power line. If the ripple in power supply used is high, further reinforce the filter.

When locating the optical module in an area susceptible to radiated noise, increase shielding by covering the optical module and the power line filter using a metallic cover.
- (5) **Vibration and shock**

This module is resin-molded construction with wire fixed by resin. This structure is relatively resistant to vibration or shock. In actual equipment, there are some cases where vibration, shock, or stress is applied to soldered parts or connected parts, resulting in line cut. Attention must be paid to the design of the mechanism for applications which are subject to large amounts of vibration.
- (6) **Fixing fiber optical receiving module**

Solder the fixing pin (pins 4 and 5) of fiber optic receiving module TORX1355(V,F) to the printed circuit board to fix the module to the board.
- (7) **Solvent**

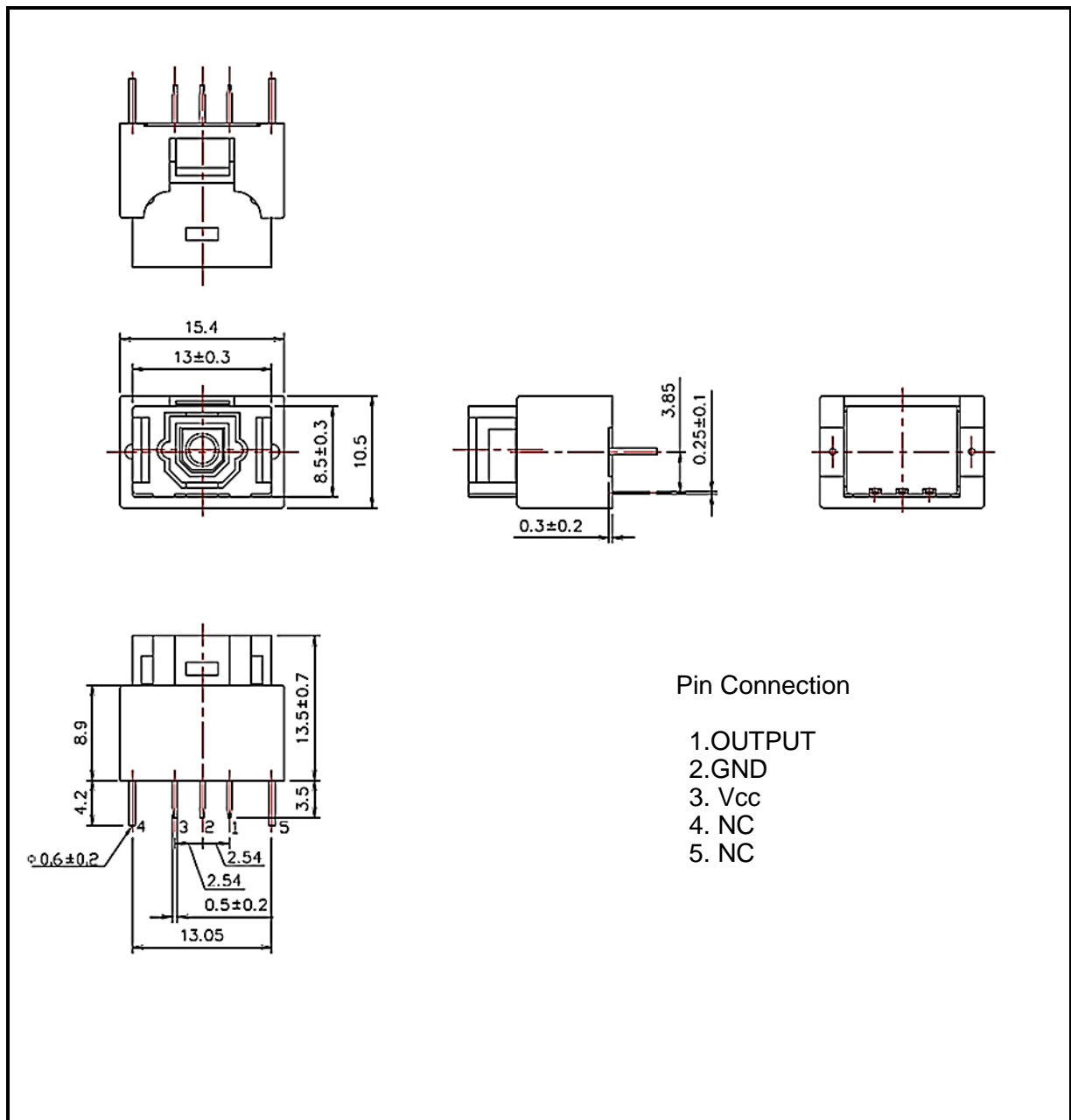
When using solvent for flux removal, do not use a high acid or high alkali solvent. Be careful not to pour solvent into the optical connector ports. If solvent is inadvertently poured into them, clean it off using cotton tips.
- (8) **Protective cap**

When the fiber optic receiving module TORX1355(V,F) is not in use, use the protective cap.

- (9) Supply voltage
Use the supply voltage within the operating ranges ($V_{CC} = 5 \pm 0.25 \text{ V}$). Make sure that supply voltage does not exceed the absolute maximum rating value of 6 V, even instantaneously.
- (10) Output
When the receiver output is at low level and connected to the power supply, or when the output is at high level and connected to GND, the internal IC may be destroyed.
- (11) Soldering condition
Solder at 260°C or less within ten seconds.
- (12) An influence of flash or strong light
Do not emit a flash or a strong light to the optical module directly. They may cause an error in data transmission.
- (13) Precaution on waste
When discarding devices and packing materials, follow procedures stipulated by local regulations in order to protect the environment against contamination.

8. Package Outline drawing

Unit: mm



Weight: 2.4g (typ.)

RESTRICTIONS ON PRODUCT USE

Toshiba Corporation and its subsidiaries and affiliates are collectively referred to as "TOSHIBA". Hardware, software and systems described in this document are collectively referred to as "Product".

- TOSHIBA reserves the right to make changes to the information in this document and related Product without notice.
- This document and any information herein may not be reproduced without prior written permission from TOSHIBA. Even with TOSHIBA's written permission, reproduction is permissible only if reproduction is without alteration/omission.
- Though TOSHIBA works continually to improve Product's quality and reliability, Product can malfunction or fail. Customers are responsible for complying with safety standards and for providing adequate designs and safeguards for their hardware, software and systems which minimize risk and avoid situations in which a malfunction or failure of Product could cause loss of human life, bodily injury or damage to property, including data loss or corruption. Before customers use the Product, create designs including the Product, or incorporate the Product into their own applications, customers must also refer to and comply with (a) the latest versions of all relevant TOSHIBA information, including without limitation, this document, the specifications, the data sheets and application notes for Product and the precautions and conditions set forth in the "TOSHIBA Semiconductor Reliability Handbook" and (b) the instructions for the application with which the Product will be used with or for. Customers are solely responsible for all aspects of their own product design or applications, including but not limited to (a) determining the appropriateness of the use of this Product in such design or applications; (b) evaluating and determining the applicability of any information contained in this document, or in charts, diagrams, programs, algorithms, sample application circuits, or any other referenced documents; and (c) validating all operating parameters for such designs and applications. **TOSHIBA ASSUMES NO LIABILITY FOR CUSTOMERS' PRODUCT DESIGN OR APPLICATIONS.**
- **PRODUCT IS NEITHER INTENDED NOR WARRANTED FOR USE IN EQUIPMENTS OR SYSTEMS THAT REQUIRE EXTRAORDINARILY HIGH LEVELS OF QUALITY AND/OR RELIABILITY, AND/OR A MALFUNCTION OR FAILURE OF WHICH MAY CAUSE LOSS OF HUMAN LIFE, BODILY INJURY, SERIOUS PROPERTY DAMAGE AND/OR SERIOUS PUBLIC IMPACT ("UNINTENDED USE").** Except for specific applications as expressly stated in this document, Unintended Use includes, without limitation, equipment used in nuclear facilities, equipment used in the aerospace industry, lifesaving and/or life supporting medical equipment, equipment used for automobiles, trains, ships and other transportation, traffic signaling equipment, equipment used to control combustions or explosions, safety devices, elevators and escalators, and devices related to power plant. **IF YOU USE PRODUCT FOR UNINTENDED USE, TOSHIBA ASSUMES NO LIABILITY FOR PRODUCT.** For details, please contact your TOSHIBA sales representative or contact us via our website.
- Do not disassemble, analyze, reverse-engineer, alter, modify, translate or copy Product, whether in whole or in part.
- Product shall not be used for or incorporated into any products or systems whose manufacture, use, or sale is prohibited under any applicable laws or regulations.
- The information contained herein is presented only as guidance for Product use. No responsibility is assumed by TOSHIBA for any infringement of patents or any other intellectual property rights of third parties that may result from the use of Product. No license to any intellectual property right is granted by this document, whether express or implied, by estoppel or otherwise.
- **ABSENT A WRITTEN SIGNED AGREEMENT, EXCEPT AS PROVIDED IN THE RELEVANT TERMS AND CONDITIONS OF SALE FOR PRODUCT, AND TO THE MAXIMUM EXTENT ALLOWABLE BY LAW, TOSHIBA (1) ASSUMES NO LIABILITY WHATSOEVER, INCLUDING WITHOUT LIMITATION, INDIRECT, CONSEQUENTIAL, SPECIAL, OR INCIDENTAL DAMAGES OR LOSS, INCLUDING WITHOUT LIMITATION, LOSS OF PROFITS, LOSS OF OPPORTUNITIES, BUSINESS INTERRUPTION AND LOSS OF DATA, AND (2) DISCLAIMS ANY AND ALL EXPRESS OR IMPLIED WARRANTIES AND CONDITIONS RELATED TO SALE, USE OF PRODUCT, OR INFORMATION, INCLUDING WARRANTIES OR CONDITIONS OF MERCHANTABILITY, FITNESS FOR A PARTICULAR PURPOSE, ACCURACY OF INFORMATION, OR NONINFRINGEMENT.**
- Do not use or otherwise make available Product or related software or technology for any military purposes, including without limitation, for the design, development, use, stockpiling or manufacturing of nuclear, chemical, or biological weapons or missile technology products (mass destruction weapons). Product and related software and technology may be controlled under the applicable export laws and regulations including, without limitation, the Japanese Foreign Exchange and Foreign Trade Law and the U.S. Export Administration Regulations. Export and re-export of Product or related software or technology are strictly prohibited except in compliance with all applicable export laws and regulations.
- Please contact your TOSHIBA sales representative for details as to environmental matters such as the RoHS compatibility of Product. Please use Product in compliance with all applicable laws and regulations that regulate the inclusion or use of controlled substances, including without limitation, the EU RoHS Directive. **TOSHIBA ASSUMES NO LIABILITY FOR DAMAGES OR LOSSES OCCURRING AS A RESULT OF NONCOMPLIANCE WITH APPLICABLE LAWS AND REGULATIONS.**

X-ON Electronics

Largest Supplier of Electrical and Electronic Components

Click to view similar products for [Fibre Optic Transmitters, Receivers, Transceivers](#) category:

Click to view products by [Toshiba](#) manufacturer:

Other Similar products are found below :

[HFBR-1532ETZ](#) [STV.2413-574-00262](#) [TRPRG1VA1C000E2G](#) [TOTX1350\(V,F\)](#) [FTLX3813M349](#) [SCN-1428SC](#) [LTK-ST11MB](#) [HFD8003-002/XBA](#) [HFD3020-500-ABA](#) [FTLF1429P3BCVA](#) [S6846](#) [SCN-2638SC](#) [FTL410QE4N](#) [FTLC9555FEPM](#) [TQS-QG4H9-J83](#) [SCN-1570SC](#) [SCN-1601SC](#) [SCN-1338SC](#) [SFPPT-SR3-01](#) [HFD8003-500-XBA](#) [SCN-1383SC](#) [2333569-1](#) [LNK-ST11HB-R6](#) [FTL4C1QL3L](#) [FTL4C1QE3L](#) [FTL4C1QL3C](#) [1019682](#) [1019683](#) [1019705](#) [HFBR-1415Z](#) [OPF693-2](#) [AFBR-5803ATQZ](#) [AFBR-5803ATZ](#) [PLR135/T9](#) [TGW-Q14BB-FCQ](#) [AFBR-5803AZ](#) [TQS-Q1LH8-XCA03](#) [TQS-Q1LH8-XCA05](#) [TQS-Q1LH8-XCA10](#) [TQS-Q1LH9-2CA](#) [HFBR-1414Z](#) [HFBR-1528Z](#) [HFBR-2406Z](#) [HFBR-2505AZ](#) [HFBR-1532Z](#) [HFBR-1531Z](#) [HFBR-1505AZ](#) [HFBR-1415TZ](#) [HFBR-1404Z](#) [PLT133/T10W](#)