

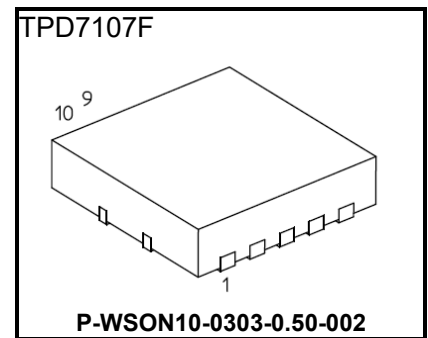
TOSHIBA Intelligent Power Device Silicon Power MOS Integrated Circuit

TPD7107F

1 channel High-Side N channel Power MOSFET Gate Driver

1. Description

TPD7107F is a 1channel high-side N channel power MOSFET gate driver. This IC contains a charge pump circuit, allowing easy configuration of a high-side switch for large-current applications.



2. Uses

- Junction Boxes for Automotive.
- Power distribution modules for Automotive.
- Semiconductor relays.

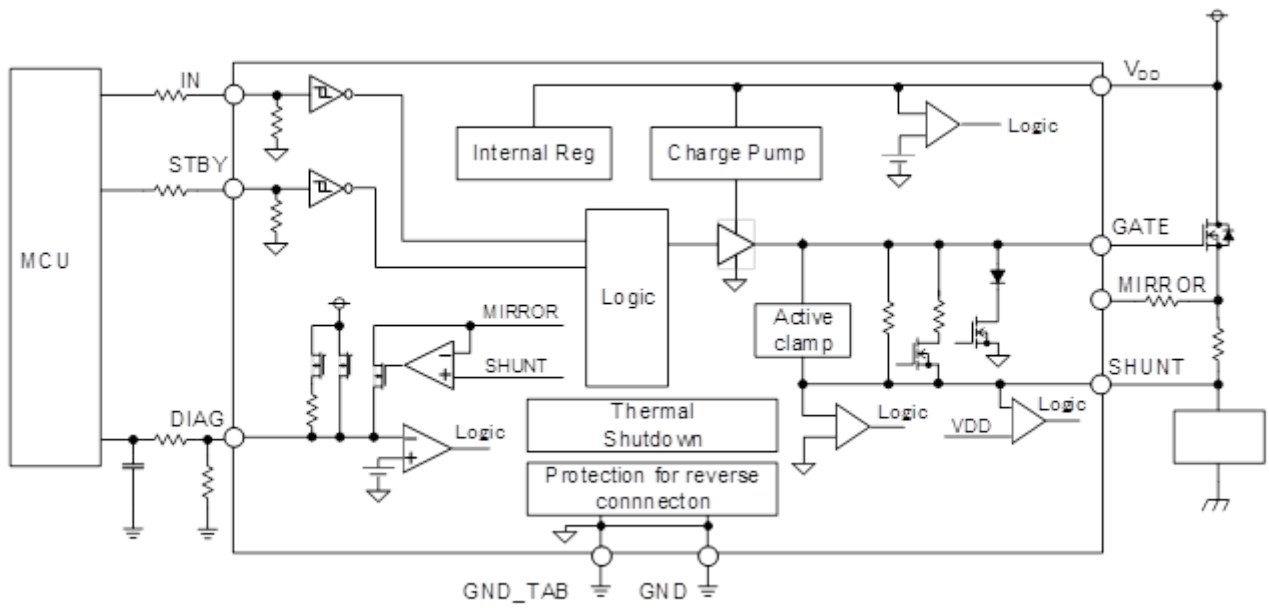
3. Features

- AEC-Q100 qualified.
- Built in the charge pump circuit.
- Built in the various protection feature and diagnostic output function.
 - The abnormalities in power supply voltage (a voltage fall, excess voltage, reverse connection of power supply)
 - Current sense of load line.
 - Over current (short circuit of load line)
 - Overheating
 - The abnormalities in Drain-source voltage of external FET
 - Active clamp of external FET
 - Protection for disconnection of GND terminal.
 - V_{DD} short of load line (Short circuit between source of external FET and V_{DD})
 - Disconnection of load line (open).
- WSON10A package for surface mounting.

Note: Due to its MOS structure. This product is sensitive to static electricity.

Start of commercial production
2020-03

4. Block Diagram



Note: Since a function is explained, it may have omitted in part and may have simplified the functional block in a block, the circuit, the constant, etc.

Figure 4.1 Block Diagram

5. Pin Assignments

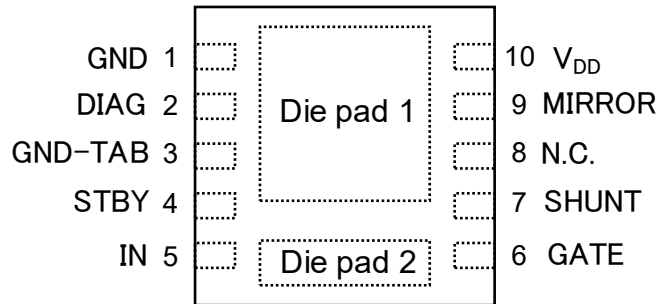


Figure 5.1 Pin Assignments (top view)

6. Pin Description

Table 6.1 Pin Description

Pin No	Symbol	Description
1	GND	Ground pin.
2	DIAG	Current sense output and diagnostic output.
3	GND-TAB	Ground pin.
4	STBY	Standby mode control pin.
5	IN	Input pin. Built in pull down resistor.
6	GATE	Output pin for an external FET drive
7	SHUNT	Input pin for shunt resistance connection.
8	N.C.	No-Connect pin.
9	MIRROR	An external FET source pin and a shunt resistance connect pin.
10	V _{DD}	Power supply pin.

7. Operational Description

7.1. Protection for reverse connection of power supply

Reverse connection circuit turns on external FET via M1 in the figure and reduces external FET loss to prevent thermal destruction.

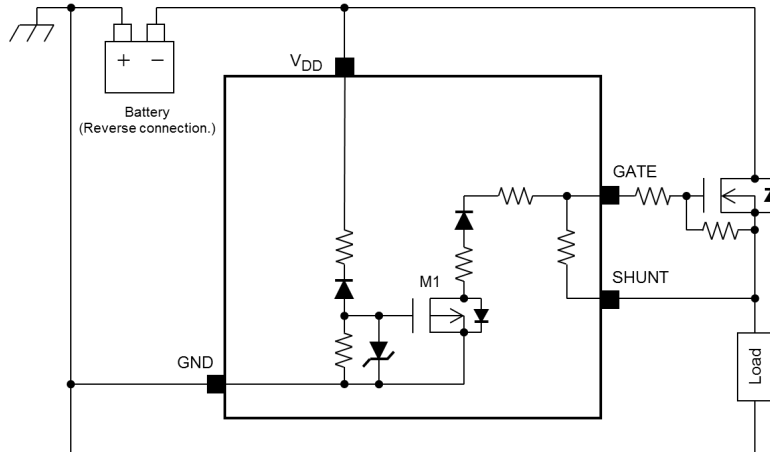


Figure 7.1 Reverse connection circuit.

7.2. Active clamp

Active clamp is a function that keeps the voltage between drain and source of external FET below at the break down voltage. When the surge voltage is generated by the inductive load, the voltage between V_{DD} and SHUNT increases and the active clamp circuit in Figure 7.2 outputs the voltage to the GATE pin. Therefore, the external FET will be in ON state and the voltage between drain and source of external FET will be clamped.

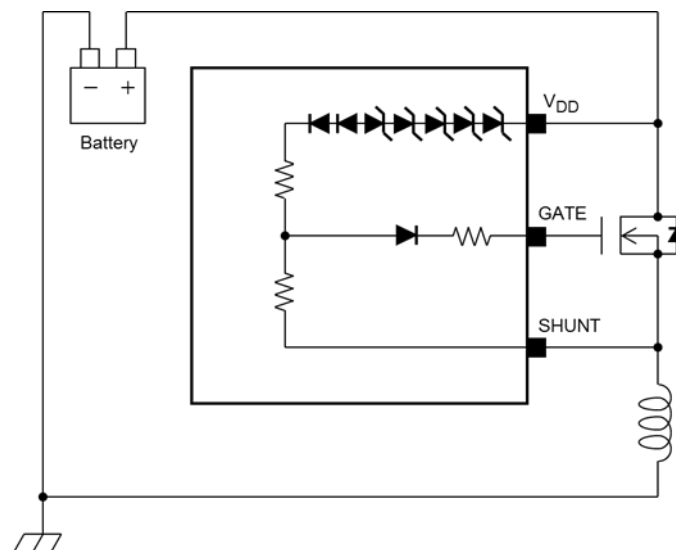
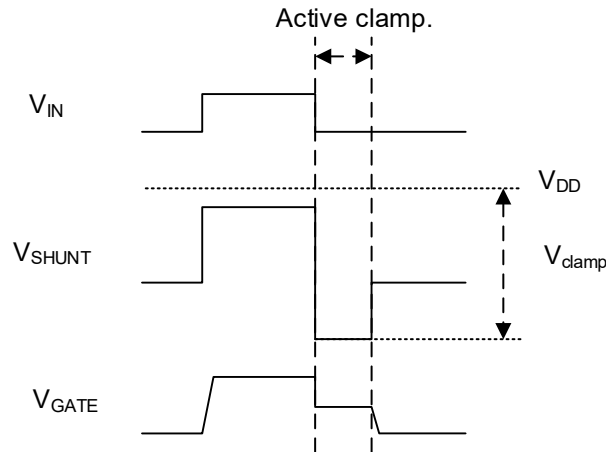


Figure 7.2 Active clamp circuit.



- V_{IN} : IN pin input voltage
- V_{SHUNT} : SHUNT pin input voltage
- V_{GATE} : GATE pin output voltage
- V_{clamp} : Active clamp voltage

Figure 7.3 Timing chart of Active clamp operation.

7.3. Gate drive of Power MOSFET (Off driver)

Three kinds of drive circuits which control the turn-off of external FET exist in this products. Operation of each drive is explained below.

7.3.1. Normal off, rapid off

The normal off driver makes the external FET an OFF state via the IN pin. The rapid off driver operates and draws out the gate charge of the external FET quickly, when the latch is stopped by the anomaly detection. Whenever the rapid off driver operates, the normal off driver operates in parallel.

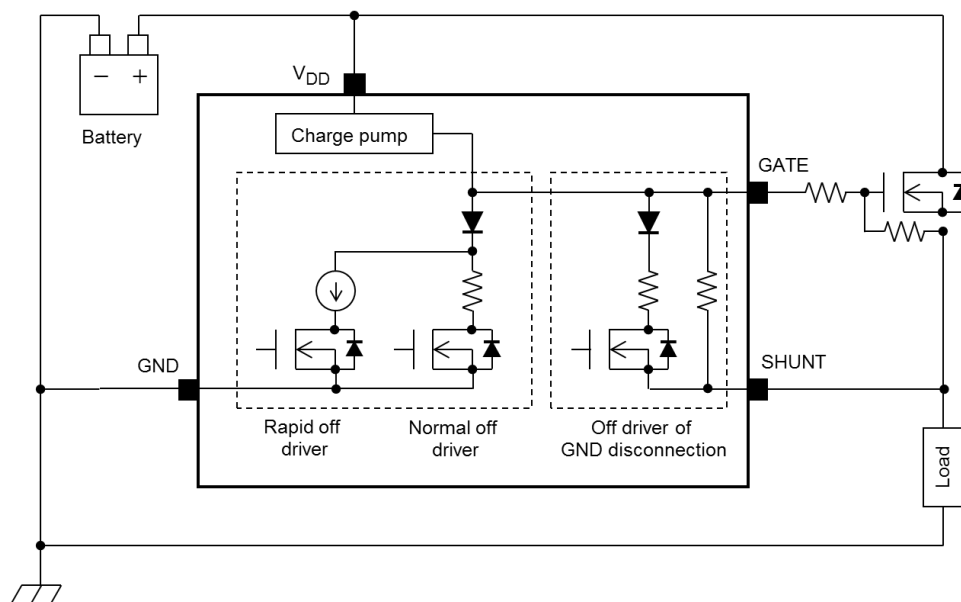


Figure 7.4 Off driver circuit.

7.3.2. Protection for disconnection of GND terminal

GND disconnection protection is a function that keeps an OFF state in order to prevent a malfunction of the external FET, when GND terminal wiring of a unit is disconnected. In OPEN state as shown in Figure 7.5, the off driver of GND disconnection operates, and turn off the external FET regardless of the condition of an input signal.

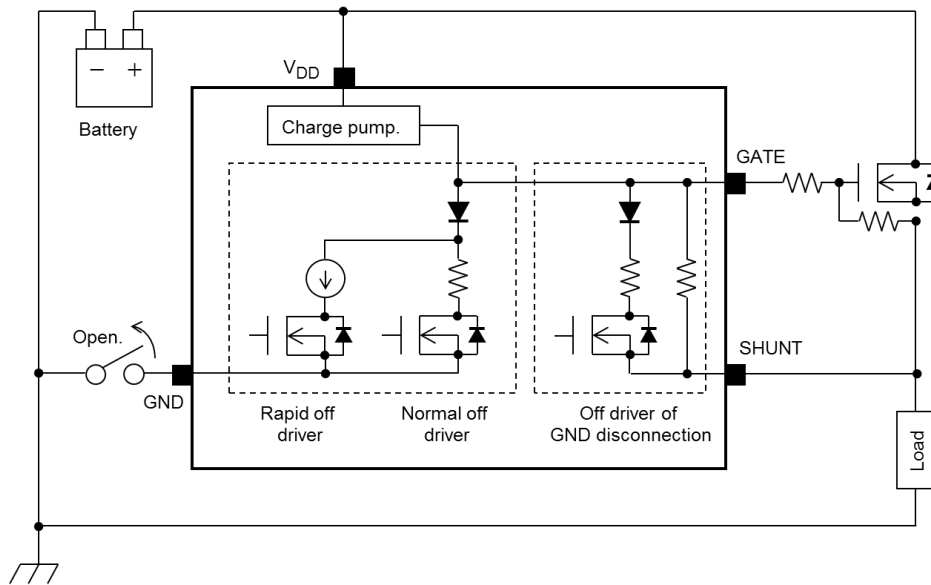
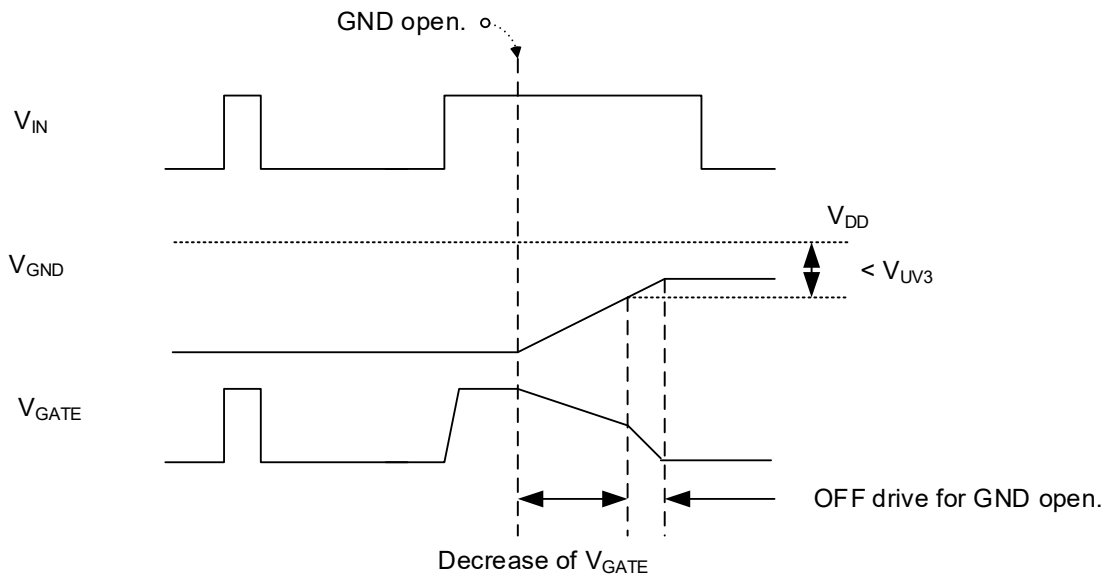


Figure 7.5 Protection circuit for disconnection of GND terminal.



- V_{IN} : IN pin input voltage
- V_{GND} : GND pin voltage
- V_{GATE} : GATE pin output voltage
- V_{UV3} : Low voltage latch threshold

Figure 7.6 Protect operation of disconnection of GND terminal.

7.4. Load current sense at time of Power MOSFET drive

For A/D-converter detection via the DIAG pin, the current sense amplifier and the pull up for diagnosis circuit in Figure 7.7 carry out the conversion from the current which flows into the shunt resistance R_s to the voltage.

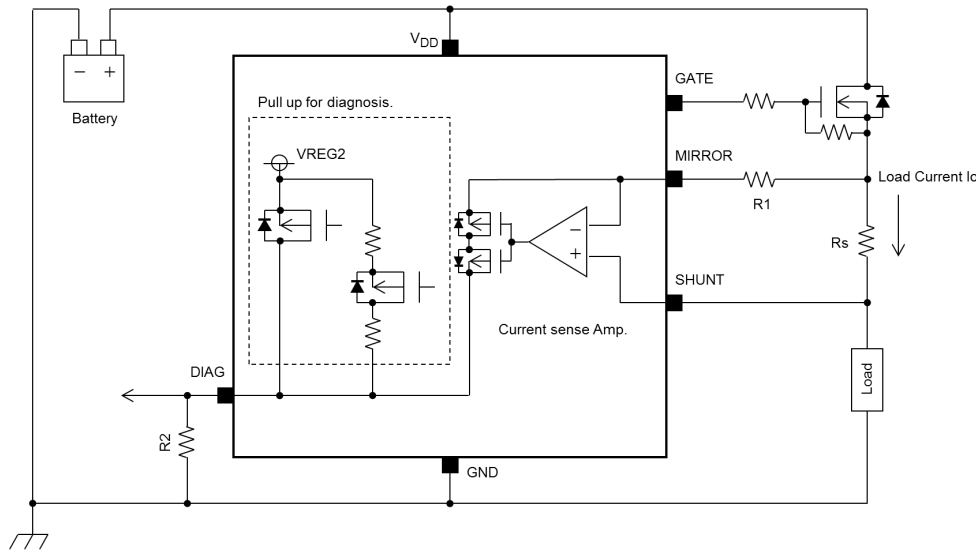


Figure 7.7 Current sense amp circuit.

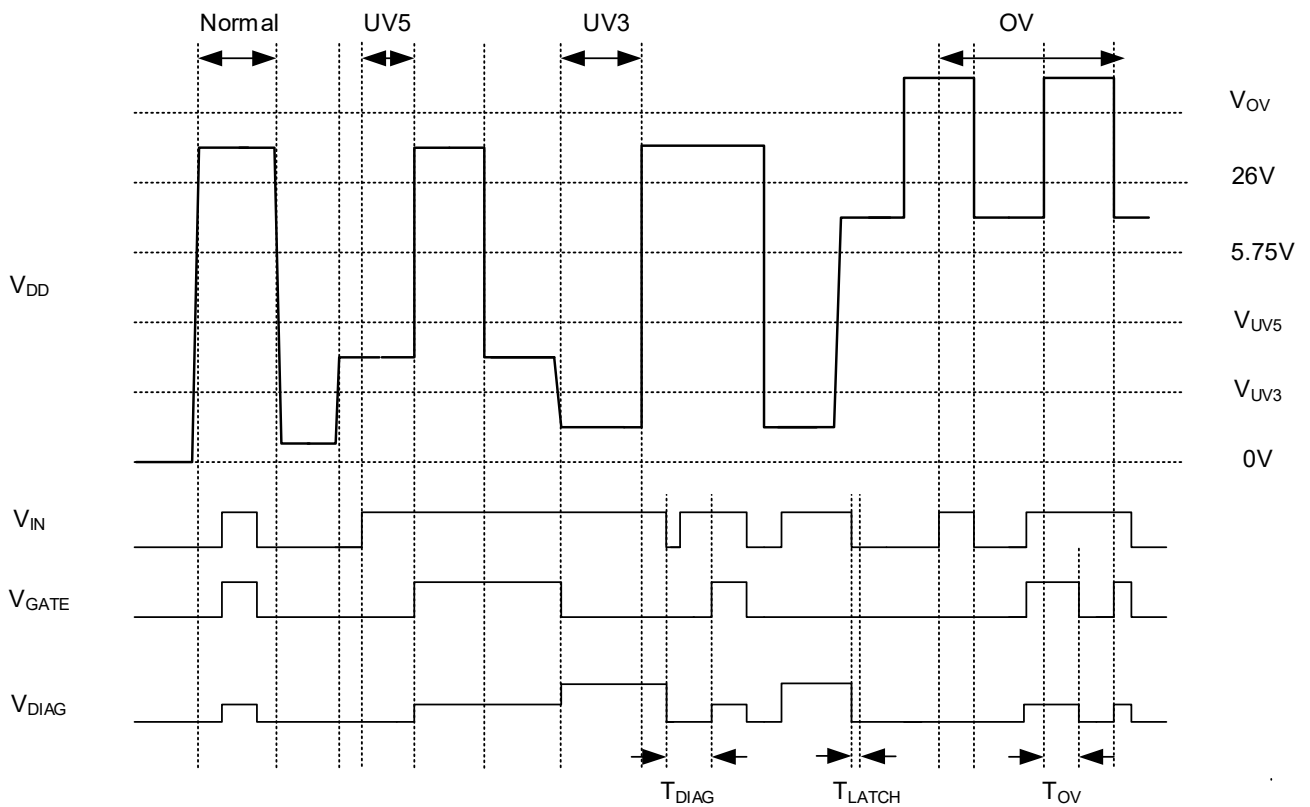
Load current sense output voltage is calculated as below. In addition, when abnormalities are detected, a load current sense output mode is changes to a diagnostic output mode. And the fixed voltage according to the diagnosis results is outputted.

$$V_{DIAG} = \frac{R2}{R1} \times (R_s \times I_o + V_{IO})$$

- V_{DIAG} : DIAG pin output voltage
- I_o : load current
- V_{IO} : Input offset voltage

7.5. The abnormalities in power supply voltage (V_{DD} over voltage, V_{DD} under voltage)

- When the voltage of a V_{DD} terminal is more than the over voltage detection threshold (V_{OV}), the off-driver usually operates and the external FET turns off. After that, if the V_{DD} terminal voltage is less than the over voltage threshold voltage, the external FET is driven again.
 - In the case of $V_{IN}=H$ and $V_{DD}>V_{OV}$, the off-driver operates after the mask time of T_{OV} (200us max) ($V_{GATE}=H$ to L).
 - In the case of $V_{DD}>V_{OV}$ and $V_{IN}=L$ to H, it keeps $V_{GATE}=L$.
- When V_{DD} terminal voltage is less than V_{UV3} (2.7V (typ.)), the rapid off-driver operates, carry out latch-off of the external FET, and outputs H state to DIAG.
- In case $V_{DD}<V_{UV5}$, the off-driver operates and V_{DD} goes up. After that, if V_{DD} is more than V_{UV5} , the off-driver will change to normal operation.
- Even if V_{DD} terminal voltage falls under the conditions of $V_{GATE}=H$, V_{GATE} keeps H state, and external FET will be ON in $V_{DD}>V_{UV3}$. (Low-voltage extension operation)

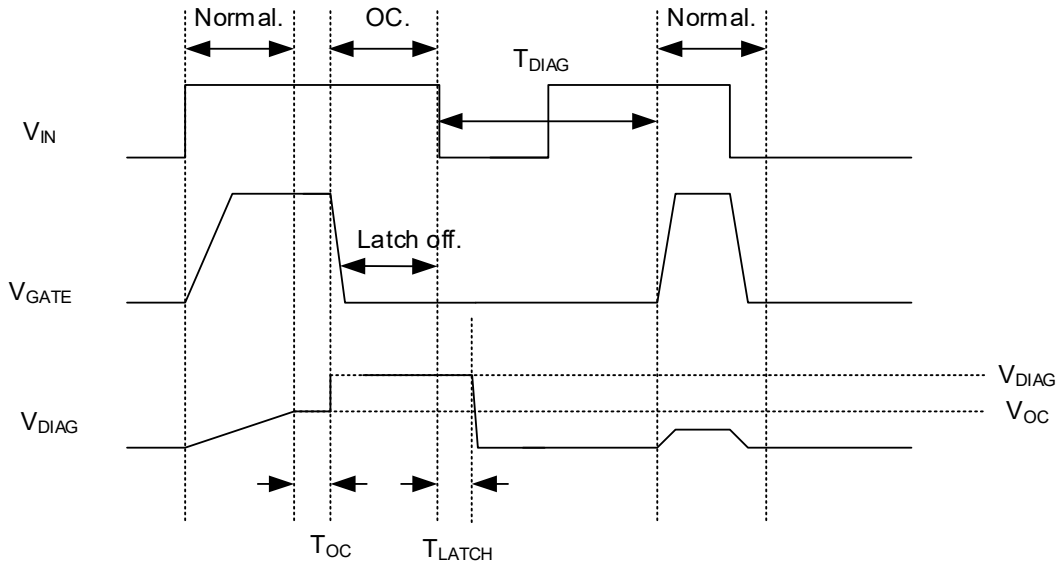


- V_{IN} : IN pin input voltage
- V_{GATE} : GATE pin output voltage
- V_{DIAG} : DIAG pin output voltage
- V_{UV3} : Low voltage latch threshold
- V_{UV5} : Low voltage detection threshold
- V_{OV} : Over voltage detection voltage
- T_{DIAG} : DIAG clear standby time
- T_{LATCH} : Latch clear standby time
- T_{OV} : Over voltage detection mask time

Figure 7.8 The abnormalities in power supply voltage

7.6. Over current protection

- When the current sense voltage (V_{DIAG}) turns into more than over-current detecting voltage (V_{OC}), the rapid off-driver operates to protect the external FET. After that, it becomes an OFF & latch state and outputs diagnostic contents.
- The filter (Over current detection delay time 2.5us (typ.)) is built in so that the over-current caused by a power supply variation may not be detected incorrectly.
- In case $V_{IN}=H$ to L, the over current protection releases latches. When a latch of DIAG is released, the clear standby time from the falling edge of $V_{IN}(T_{DIAG})$ is set to 10ms (minimum). In a period of the standby time, the IN terminal cannot control the GATE terminal.



- V_{IN} : IN pin input voltage
- V_{GATE} : GATE pin output voltage
- V_{DIAG} : DIAG pin output voltage
- V_{OC} : Over current detection voltage
- V_{DIAG1} : DIAG output voltage (High Level)
- T_{OC} : Over current detection delay time
- T_{LATCH} : Latch release mask time
- T_{DIAG} : DIAG clear standby time

Figure 7.9 Over current protection

- The over current threshold voltage changes according to the power supply voltage and the junction temperature.
 - V_{OC1} : $V_{DD}=3V, T_j=25^\circ C$
 - V_{OC2} : $T_j=25^\circ C$
 - V_{OC3} : $V_{DD}=3V, T_j=125^\circ C$
 - V_{OC4} : $T_j=125^\circ C$
- The over current detecting voltage falls to 66% (typ.) of V_{OC2} and V_{OC4} , when the abnormalities in voltage between drain and source of the external FET occur.
- The over current detection voltage falls to 50% (typ.) of V_{OC2} and V_{OC4} , when the under voltage detection (UV5) occurs.

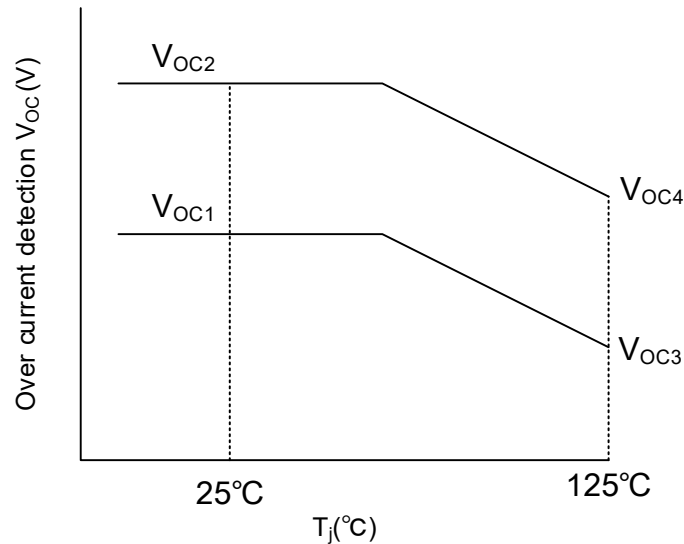
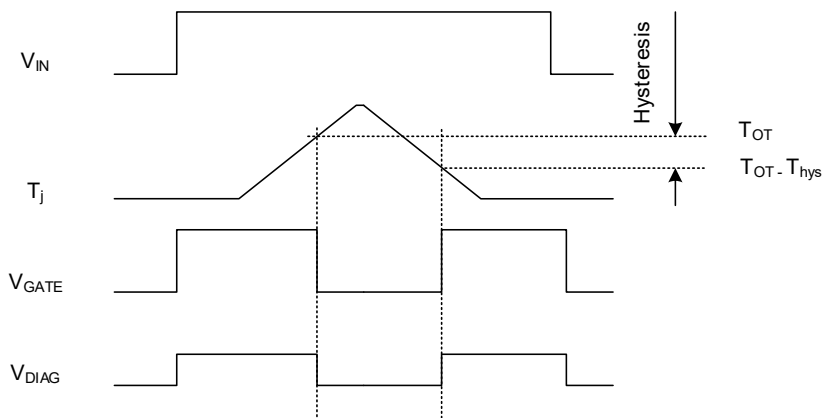


Figure 7.10 Junction Temperature dependency of over current detection

7.7. Over temperature protection.

The over temperature protection prevents destruction due to the temperature rise of this product and MOSFET, so if junction temperature exceeds Thermal detection temperature, normal off driver operates and turns the external FET off. When junction temperature drops below hysteresis set temperature, this product returns to normal operation.

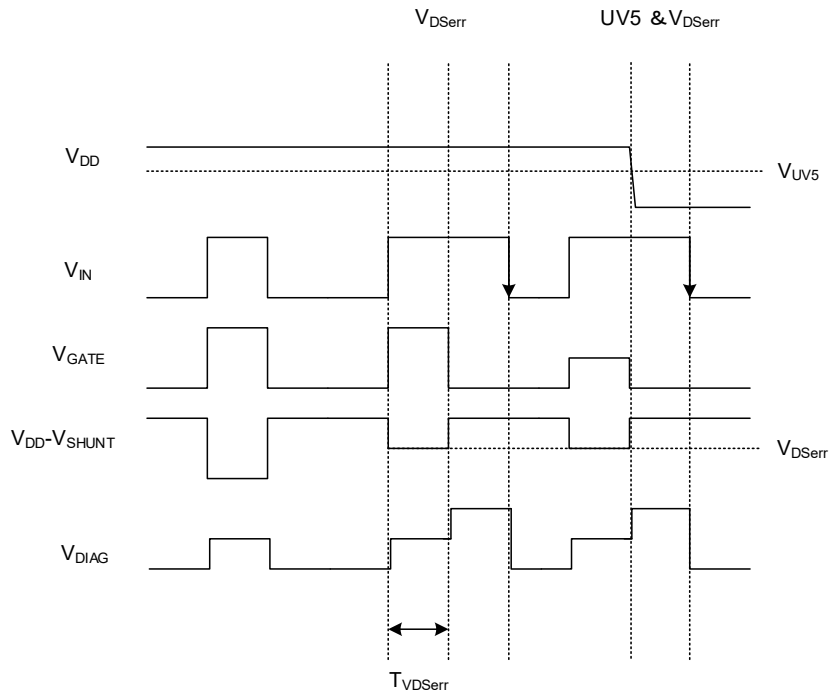


- V_{IN} : IN pin input voltage
- V_{GATE} : GATE pin output voltage
- V_{DIAG} : DIAG pin output voltage
- T_{OT} : Over heat detection temperature
- T_{hys} : Hysteresis of thermal detection

Figure 7.11 Over temperature protection

7.8. Abnormalities in voltage between Drain and source of the external FET (VDS error)

- The voltage between drain and source of the external FET supervises the differential voltage between the V_{DD} pin and the SHUNT pin. If the voltage between drain source exceeds the VDS error detection threshold (1.5V (typ.)), the rapid off-driver operates and changes the external FET into the OFF & latch state. Therefore, the diagnostic output will be in H state.
- When a low-voltage (UV5) state occurs simultaneously with the abnormalities of the voltage between Drain and source, the rapid off-driver operates and makes the external FET into an OFF & latch state because of no detection time. The diagnostic output will become the H state.
- GATE pin and DIAG pin latches are released by $V_{IN}=H$ to L.
- When an error is detected, it is judged as abnormal after the detection time (T_{VDSerr}) to prevent malfunction due to noise.



- V_{IN} : IN pin input voltage
- V_{GATE} : GATE pin output voltage
- $V_{DD}-V_{SHUNT}$: Voltage between V_{DD} pin and SHUNT pin
- V_{DIAG} : DIAG pin output voltage
- T_{VDSerr} : VDS error detection time

Figure 7.12 Abnormalities in voltage between Drain and source of external FET

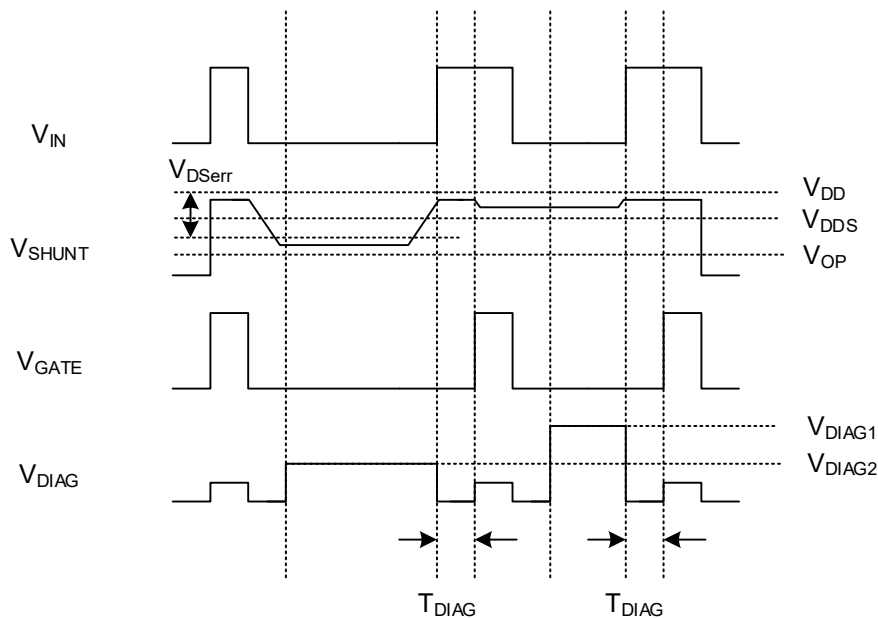
7.9. Load open / V_{DD} short of load line and diagnosis output

The load open detects the disconnection of the load connected to SHUNT pin. The V_{DD} short of load line detects the V_{DD} short of the load connected to SHUNT pin. A circuit example is shown below (figure 7.14). The detection condition and DIAG pin output voltage for each item are as shown in the table below.

Table 7.1 Load open detection / V_{DD} short of load line detection

item	Detection condition	DIAG output voltage
Load open detection	$V_{OP} < V_{SHUNT}$ $V_{DSerr} < V_{DD} - V_{SHUNT}$	2.3V(minimum)
V _{DD} short of load line	$V_{DDS} < V_{SHUNT}$ $V_{DD} - V_{SHUNT} < V_{DSerr}$	4.3V(minimum)

- The DIAG output voltage changes from rise edge of V_{IN} to normal operation after a DIAG clear waiting time (T_{DIAG}). See the timing chart below.



- V_{IN}: IN pin input voltage
- V_{SHUNT}: SHUNT pin input voltage
- V_{GATE}: GATE pin output voltage
- V_{DIAG}: DIAG pin output voltage
- V_{DIAG1}: DIAG output voltage (High level)
- V_{DIAG2}: DIAG output voltage (Load open)
- V_{OP}: Load open detection voltage
- V_{DDS}: V_{DD} short detection voltage
- T_{DIAG}: DIAG clear standby time

Figure 7.13 Load open / V_{DD} short detection

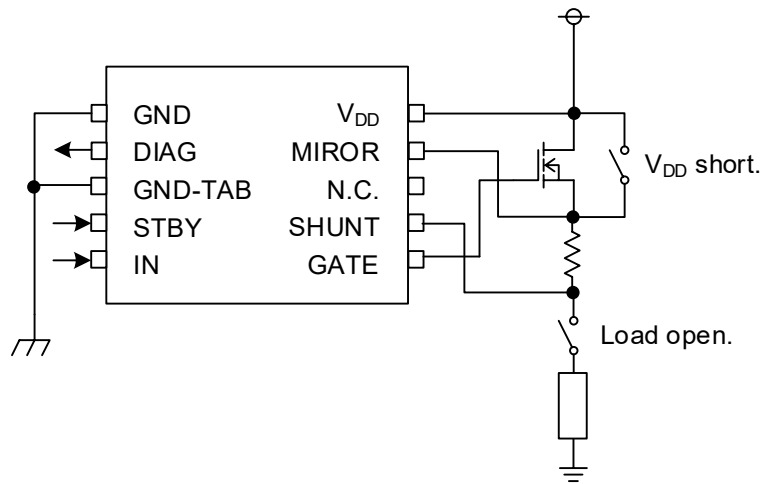


Figure 7.14 Load open / V_{DD} short circuit example

7.10. Truth Table

Table 7.2 Truth Table

Operation.	STBY	IN	SHUNT,MIRROR	GATE	DIAG
Normal operation (Standby)	L	X	X	L	L
Normal operation	H	H	H ($\approx V_{DD}$)	H	analog
Over voltage detection (1) ($V_{OV} < V_{DD}$)	H	L	L	L	L
Over voltage detection (2) ($V_{OV} < V_{DD}$)	H	H	H ($\approx V_{DD}$)	L (Note1)	L (Note1)
Over temperature	H	X	X	L	L
UV5 ($V_{DD} < V_{UV5}$)	H	X	X	L	L
UV3 ($V_{DD} < V_{UV3}$)	H	X	X	L (Latch off)	H (Latch)
Over current detection	H	X	X	L (Latch off)	H (Latch)
VDS abnormal	H	X	$V_{DSerr} > (V_{DD}-V_{SHUNT})$	L (Note2) (Latch off)	H (Note2) (Latch)
VDS abnormal && UV5 ($V_{DD} < V_{UV5}$)	H	X	$V_{DSerr} > (V_{DD}-V_{SHUNT})$	L (Latch off)	H (Latch)
Load open detection.	H	L	$V_{OP} > V_{SHUNT}$	L	V_{DIAG2}
VDD short.	H	L	H ($\approx V_{DD}$)	L	H

Note1. Mask time 400 μ s (typ.)

Note2. Mask time 13ms (typ.)

7.11. State Transition Diagram

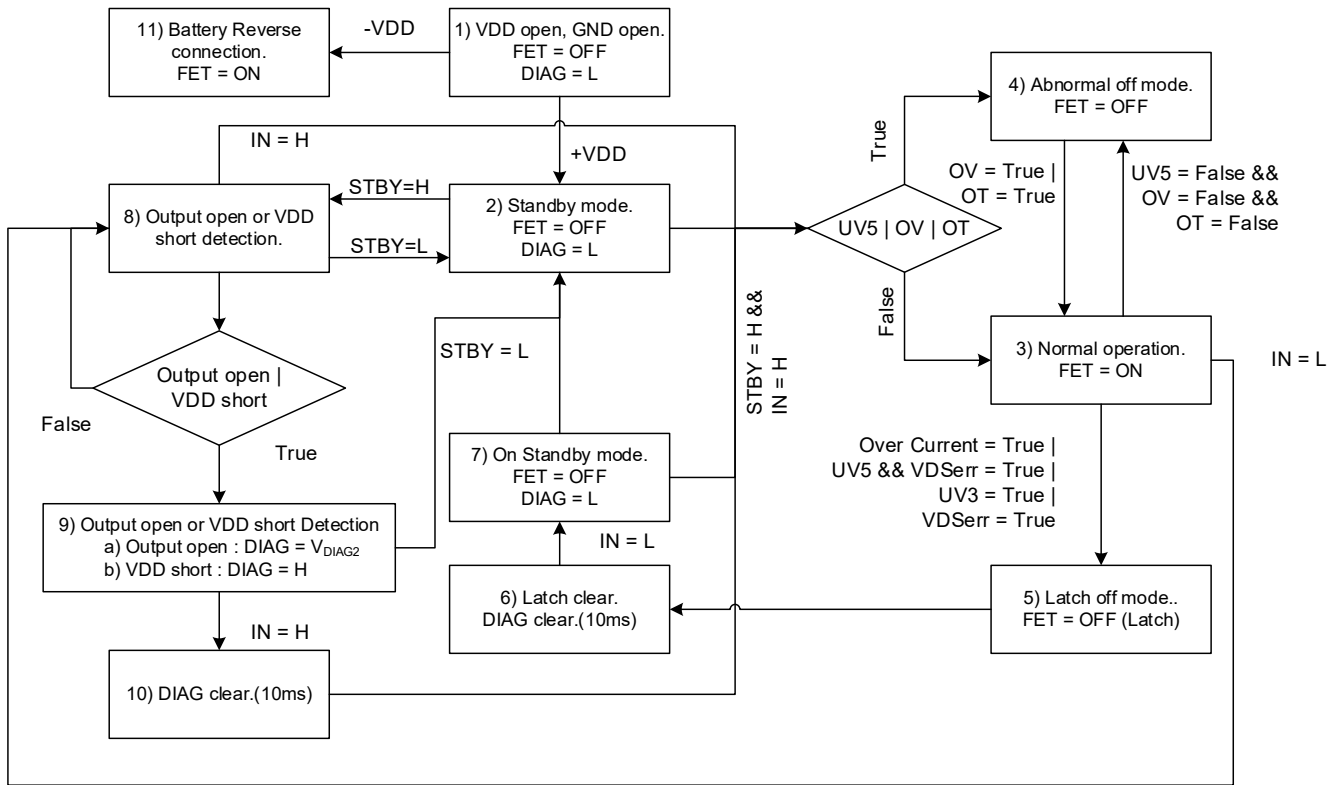


Figure 7.15 State Transition Diagram

8. Absolute Maximum Ratings

Table 8.1 Absolute Maximum Ratings

(T_a = 25°C unless otherwise specified)

Characteristics	Symbol	Rating	Unit	Comment(s)
Supply voltage	V _{DD(1)}	-16 to 26	V	Supply voltage
	V _{DD(2)}	-36 to 36	V	t≤400ms
	V _{DD(3)}	-40 to 40	V	t≤20ms
Input voltage	V _{IN(1)}	-16 to 26	V	IN,STBY,SHUNT,MIRROR
	V _{IN(2)}	-36 to 36	V	IN,STBY,SHUNT,MIRROR t≤400ms
	V _{IN(3)}	-40 to 40	V	IN,STBY,SHUNT,MIRROR t≤20ms
Output source current	I _{GATE(+)}	Internal ability	mA	GATE
Output sink current	I _{GATE(-)}	5	mA	GATE
Output voltage	V _{GATE}	-0.3 to 40	V	GATE
DIAG Output voltage	V _{DIAG}	-0.3 to 6	V	DIAG
DIAG Output current	I _{DIAG}	5	mA	DIAG
Power dissipation	P _{D(1)}	1.84	W	-
Operating temperature	T _{opr}	-40 to 125	°C	-
Junction temperature	T _j	150	°C	-
Storage temperature	T _{stg}	-55 to 150	°C	-

Note: Using continuously under heavy loads (e.g. the application of high temperature/current/voltage and the significant change in temperature, etc.) may cause this product to decrease in the reliability significantly even if the operating conditions (i.e. operating temperature/current/voltage, etc.) are within the absolute maximum ratings and the operating ranges.

Please design the appropriate reliability upon reviewing the Toshiba Semiconductor Reliability Handbook (“Handling Precautions”/“Derating Concept and Methods”) and individual reliability data (i.e. reliability test report, estimated failure rate, etc.)

8.1. Thermal Resistance

Table 8.2 Thermal resistance

Charateristics	Symbol	Rating	unit
Thermal resistance, junction to ambient	R _{th(j-a)}	67.6	°C / W

Note: Glass epoxy board

Material: FR-4(4 layer) Board size: 76.2mmx114.3mmx1.6mm

Via: φ0.3mm(2 points)

9. Operating Ranges

Table 9.1 Operating Ranges

Characteristics	Symbol	Condition	Min	Typ.	Max	Unit
Operating supply voltage	V_{DD}	$T_j = -40$ to 125°C	5.75	12.00	26.00	V

10. Electrical Characteristics

10.1. Electrical characteristics 1

Table 10.1 Electrical Characteristics 1

(Unless otherwise specified, $T_j = -40$ to 125°C , $V_{DD} = 5.75$ to 26V)

Characteristics	Symbol	Pin	Test Condition	Min	Typ.	Max	Unit
Operating supply voltage	$V_{DD(\text{opr})}$	V_{DD}	-	5.75	12.00	26.00	V
Supply current	$I_{DD(\text{off})}$	V_{DD}	$V_{DD} = 16\text{V}$, Standby, $T_j = 25^\circ\text{C}$	-	-	3	μA
	$I_{DD(\text{on})}$	V_{DD}	$V_{DD} = 12\text{V}$, $V_{IN} = V_{IH}$, $T_j = 25^\circ\text{C}$	-	2	3	mA
High level input voltage	V_{IH}	IN, STBY	-	2.4	-	-	V
Low level input voltage	V_{IL}	IN, STBY	-	-	-	0.6	
Hysteresis	V_{hys}	IN, STBY	-	-	0.5	-	V
Input current	I_{IH}	IN, STBY	$V_{IN} = 5\text{V}$	-	21	50	μA
	I_{IL}	IN, STBY	$V_{IN} = 0\text{V}$	-1	-	1	
High level output voltage(1)	V_{GATEH1}	GATE	$V_{DD} = 3\text{V}$, $V_{IN} = V_{IH}$, GATE-SHUNT = 200k Ω	V_{DD} +6.5	V_{DD} +8.6	-	V
High level output voltage(2)	V_{GATEH2}	GATE	$V_{DD} = 5.75$ to 26V , $V_{IN} = V_{IH}$, GATE-SHUNT = 200k Ω	V_{DD} +7.5	V_{DD} +10.0	V_{DD} +12.5	V
High level output voltage(3)	V_{GATEH3}	GATE	$V_{DD} = -12\text{V}$ Measurement 1	6	-	-	V
Low level output voltage	V_{GATEL}	GATE	$V_{IN} = V_{IL}$	-	-	0.5	V
Active clamp voltage	V_{clamp}	V_{DD} , SHUNT	$V_{IN} = V_{IL}$, $V_{\text{GATE}} = 2\text{V}$, $V_{\text{SHUNT}} = 0\text{V}$	35	39	-	V
Latch release mask time	T_{LATCH}	-	$V_{IN} = V_{IL}$	-	50	-	μs
Switching time	$T_{\text{d-ON}}$	GATE	Measurement 2, $T_j = 25^\circ\text{C}$	-	35	55	μs
	$T_{\text{d-OFF}}$			-	154	195	
	T_r			-	321	460	
	T_f			-	138	176	

10.2. Electrical characteristics 2

Table 10.2 Electrical Characteristics 2

(Unless otherwise specified, $T_j = -40$ to 125°C , $V_{DD} = 5.75$ to 26V)

Characteristics	Symbol	Pin	Test Condition	Min	Typ.	Max	Unit
Off impedance at GND open	R_{GO}	GATE	Measurement 3	25	51	80	k Ω
GATE-SHUNT resistance	R_{GSH}	GATE	-	500	1000	2000	k Ω
Rapid off state current	I_{GL}	GATE	Latch off state.	100	237	500	mA
Over current detection (1)	V_{OC1}	DIAG	$V_{DD}=3\text{V}, T_j=25^\circ\text{C}$	-	1.75	-	V
Over current detection (2)	V_{OC2}	DIAG	$T_j=25^\circ\text{C}$	3.25	3.45	3.65	V
Over current detection (3)	V_{OC3}	DIAG	$V_{DD}=3\text{V}, T_j=125^\circ\text{C}$	-	1.4	-	V
Over current detection (4)	V_{OC4}	DIAG	$T_j=125^\circ\text{C}$	2.6	2.8	3.2	V
Over current threshold down rate at VDS error	-	-	V_{DSerr} detection.	-	66	-	%
Over current threshold down rate at Low voltage	-	-	UV5 detection.	-	50	-	%
Over current detection delay time	T_{OC}	-	-	-	2.5	10.0	μs
Over heat detection temperature	T_{OT}	-	$V_{STBY} = V_{IH}$	150	169	200	$^\circ\text{C}$
Hysteresis of thermal detection	T_{hys}	-	-	-	16	-	$^\circ\text{C}$
Low voltage latch threshold (UV3)	V_{UV3}	V_{DD}	$V_{STBY} = V_{IH}$	2.5	2.7	3.0	V
Low voltage detection threshold (UV5)	V_{UV5}	V_{DD}	$V_{STBY} = V_{IH}$	4.15	4.40	4.65	V
UV5 release voltage	V_{UV5R}	V_{DD}	$V_{STBY} = V_{IH}$	4.9	5.1	5.4	V
Over voltage detection voltage (OV)	V_{OV}	V_{DD}	$V_{STBY} = V_{IH}$	26.0	27.4	30.0	V
Over voltage detection mask time	T_{OV}	V_{DD}	$V_{STBY} = V_{IH}$	150	400	650	μs
VDS error detection threshold	V_{DSerr}	V_{DD} SHUNT	$V_{STBY} = V_{IH}, V_{IN} = V_{IH}$	1.0	1.4	2.0	V
VDS error detection time	T_{VDSerr}	V_{DD} SHUNT	$V_{STBY} = V_{IH}, V_{IN} = V_{IH}$	10	13	20	ms
SHUNT leakage current	I_{SHUNTS}	SHUNT	$V_{IN} = V_{STBY} = L,$ $V_{SHUNT} = 0\text{V}, V_{DD} = 16\text{V}$	-	-	1.5	μA
Load open detection resistance	R_{OP}	SHUNT	-	5	11	20	k Ω
Load open detection voltage	V_{OP}	SHUNT	$V_{STBY} = V_{IH}, V_{IN} = V_{IL}$	2.0	2.6	-	V
V_{DD} short detection voltage	V_{DDS}	SHUNT	$V_{STBY} = V_{IH}, V_{IN} = V_{IL}$	$V_{DD}-2$	-	V_{DD}	V
DIAG clear standby time	T_{DIAG}	DIAG	$V_{STBY} = V_{IH},$ Error detection is canceled	10	-	20	ms
DIAG output voltage (High level)	V_{DIAG1}	DIAG	Abnormality is detected DIAG-GND = 10k Ω	4.3	-	5.0	V
DIAG output voltage (Load open)	V_{DIAG2}	DIAG	Open is detected. DIAG-GND = 10k Ω	2.3	-	3.8	V

10.3. Current sense amp Electrical Characteristics

Table 10.3 Current sense amp Electrical Characteristics

(Unless otherwise specified, $T_j = -40$ to 125°C , $V_{DD} = 5.25$ to 26V)

Characteristics	Symbol	Pin	Test Condition	Min	Typ.	Max	Unit
Common mode input voltage range	CMV_{IN}	SHUNT, MIRROR	-	2.5	-	V_{DD}	V
Input offset voltage	V_{IO}	SHUNT, MIRROR	$V_{DD}=13.5\text{V}, T_j=25^\circ\text{C}$ Measurement 4	-2	-	2	mV
Input offset voltage temperature drift	V_{IOT}	SHUNT, MIRROR	$V_{DD}=13.5\text{V}, T_j=25^\circ\text{C}$ Measurement 4	-10	-	10	$\mu\text{V}/^\circ\text{C}$
SHUNT terminal current	I_{SHUNT}	SHUNT	$V_{SHUNT}=V_{DD},$ $V_{IN}=5\text{V}$	-	-	5	μA
MIRROR terminal current	I_{MIRROR}	MIRROR	$V_{MIRROR}=V_{DD},$ $V_{IN}=5\text{V}$	-	-	5	μA

11. Test Circuit

11.1. Test circuit 1 High level output voltage (3)

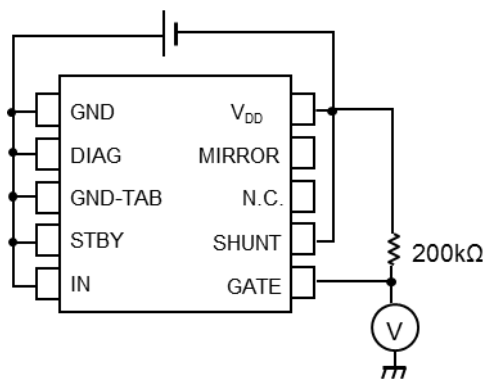


Figure 11.1 Test circuit 1

11.2. Test circuit 2 Switching time (T_{d-ON} , T_{d-OFF} , T_r , T_f)

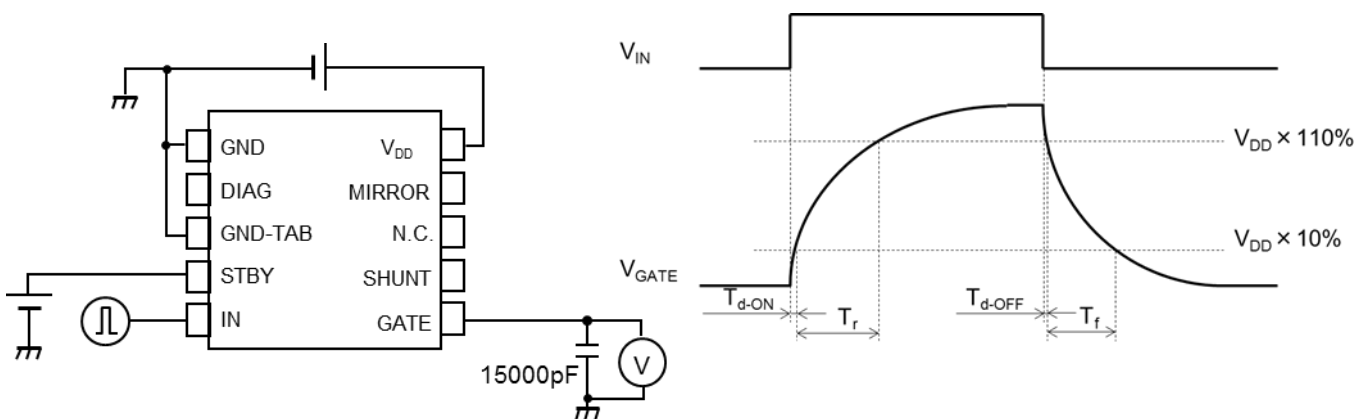


Figure 11.2 Test circuit 2

11.3. Test circuit 3 Off impedance at GND open

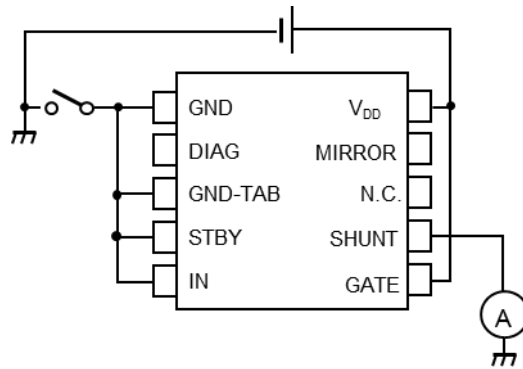


Figure 11.3 Test Circuit 3

11.4. Test circuit 4 Input offset voltage

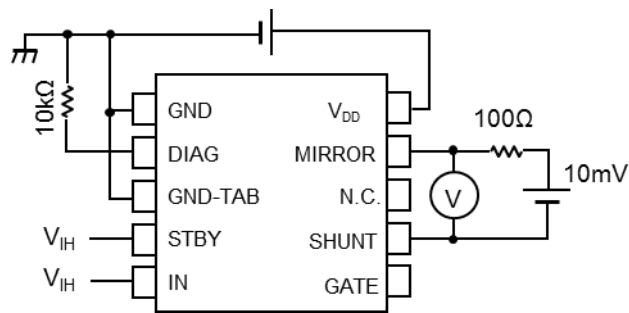
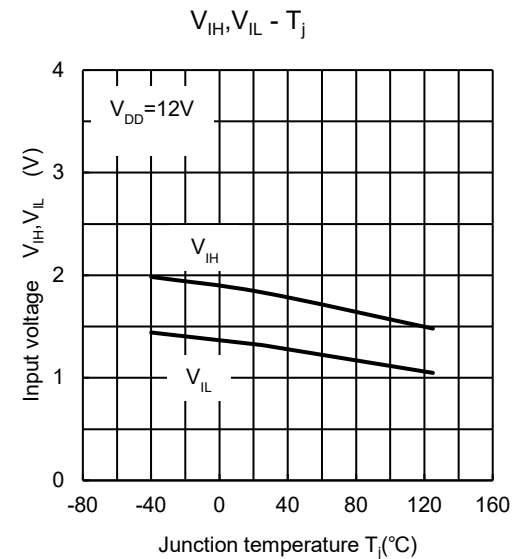
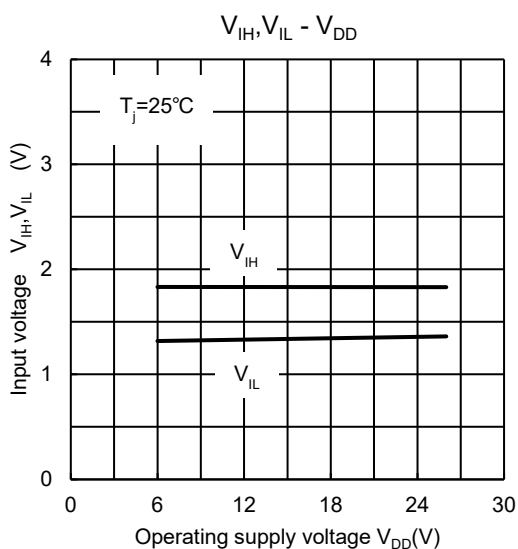
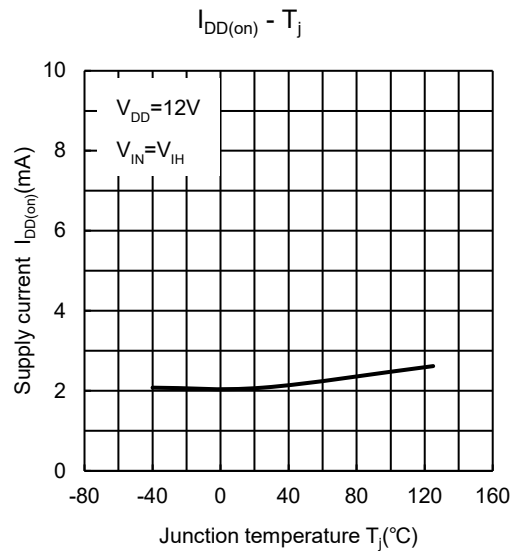
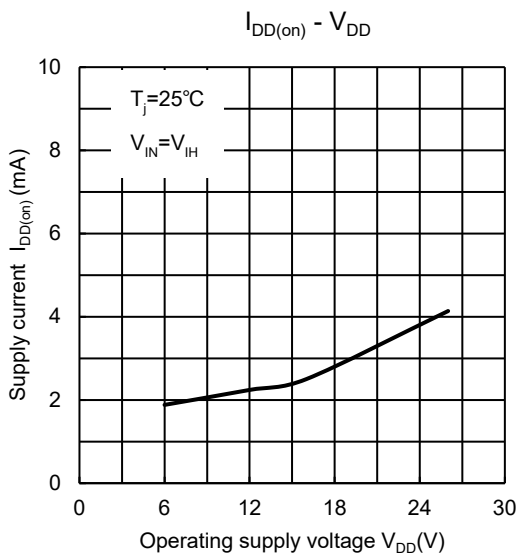
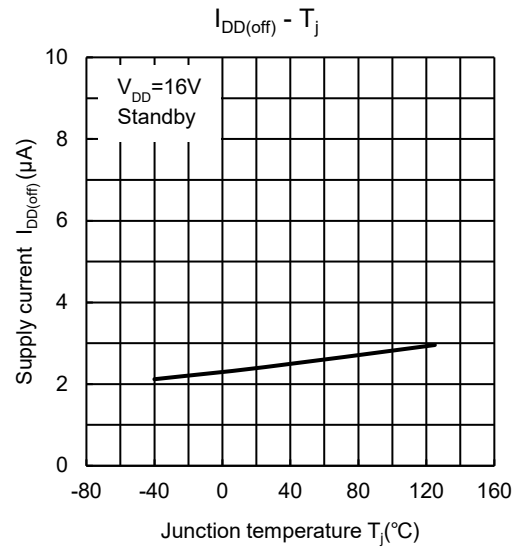
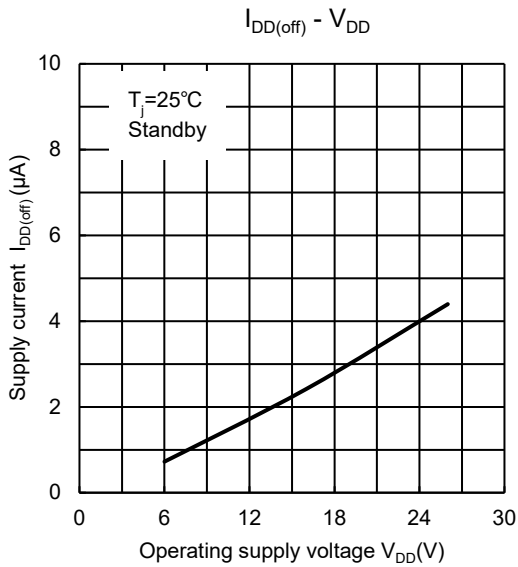
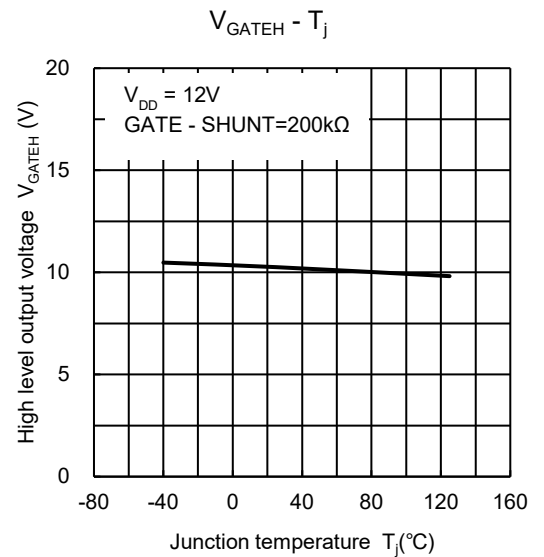
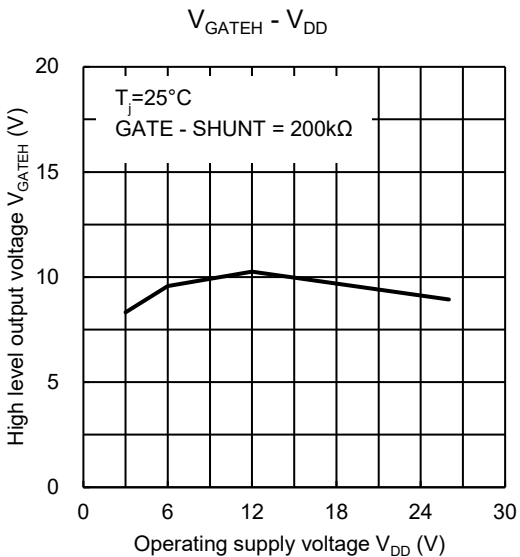
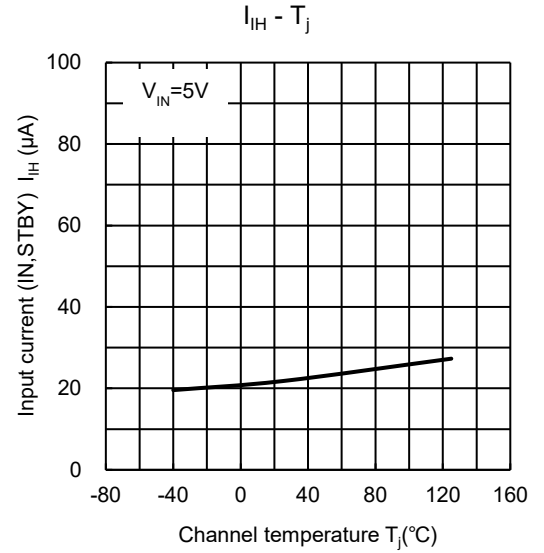
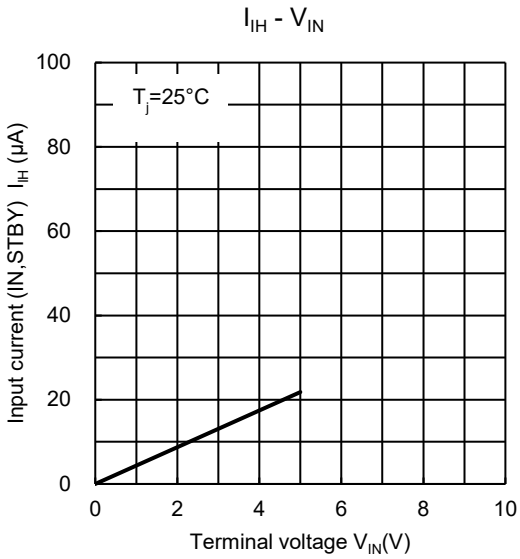
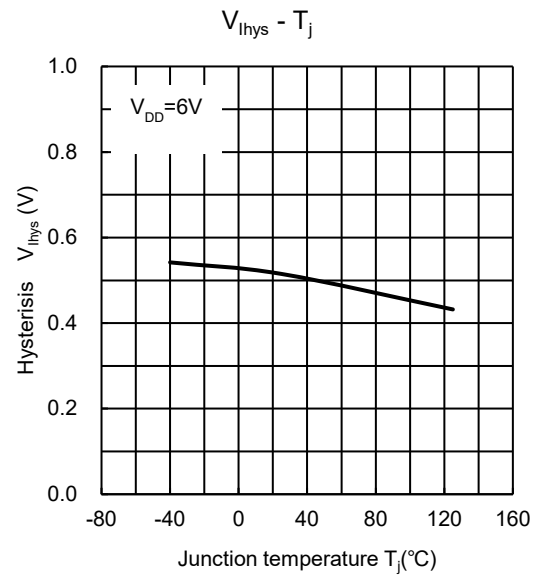
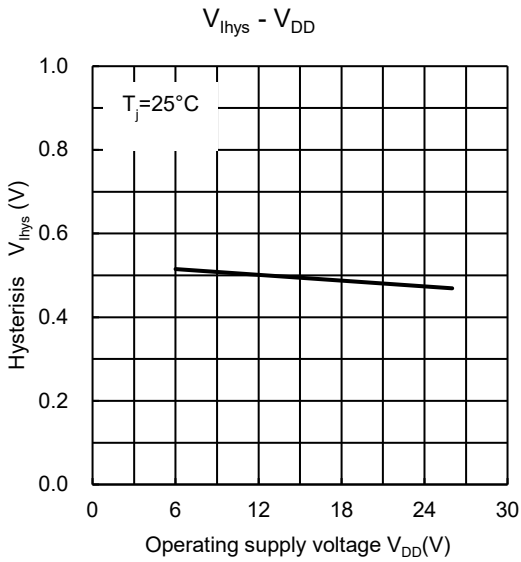


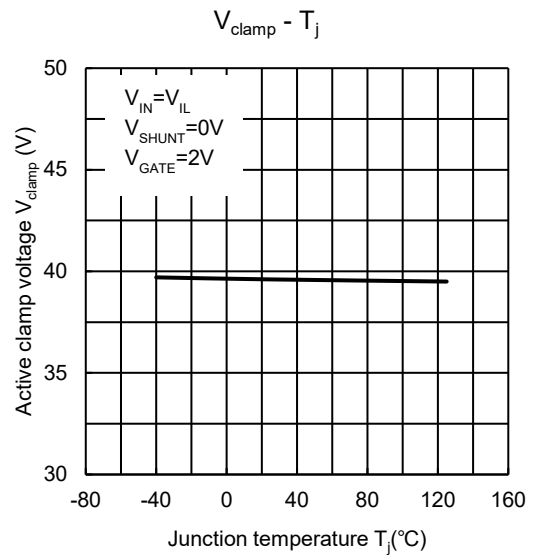
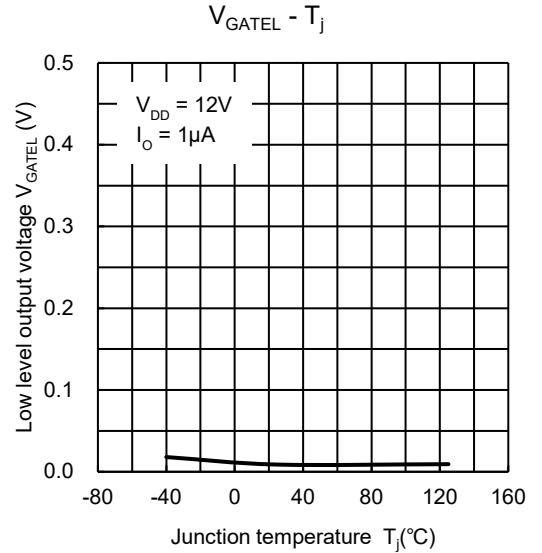
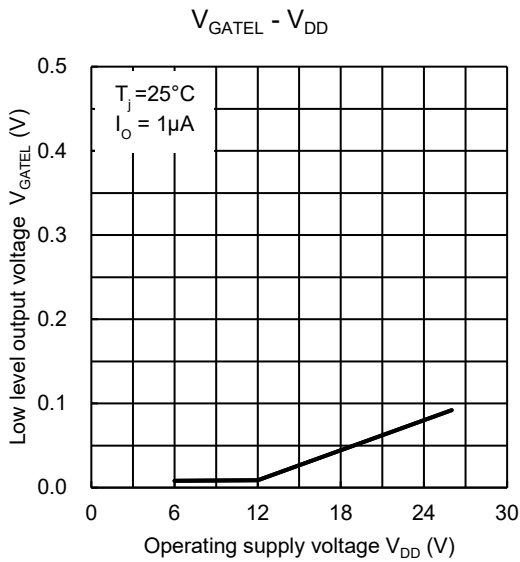
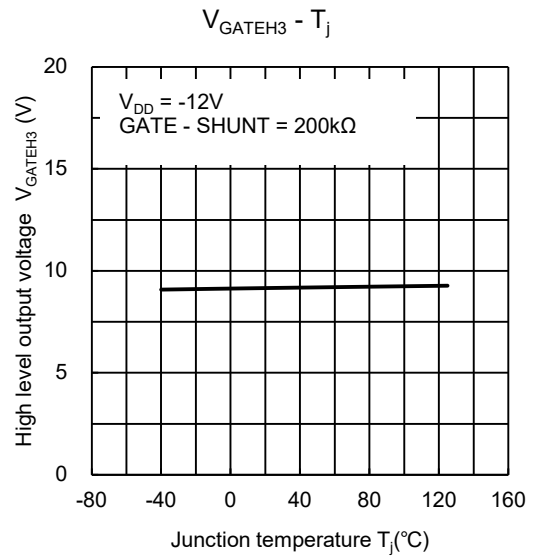
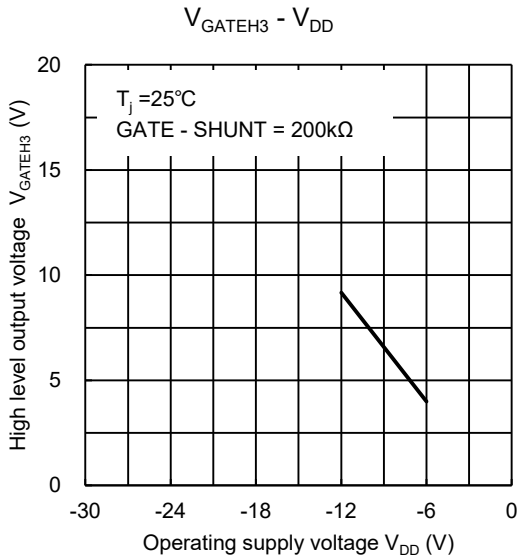
Figure 11.4 Test Circuit 4

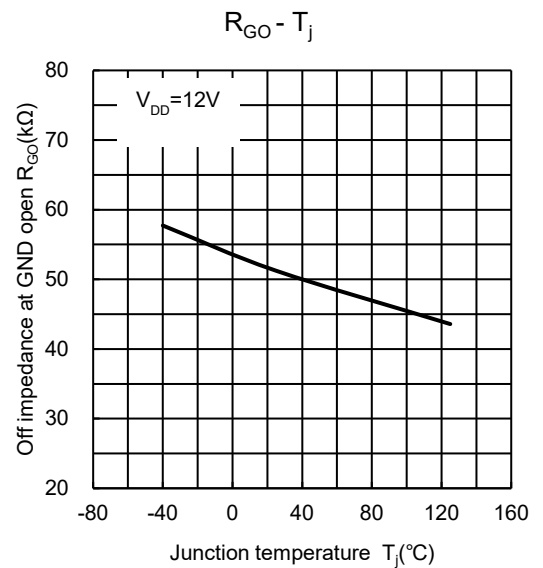
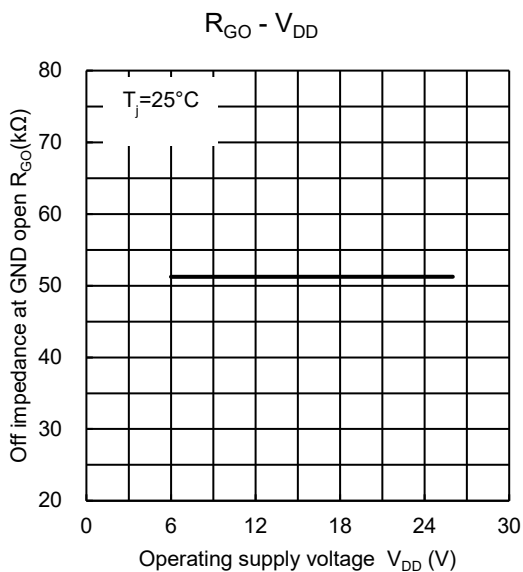
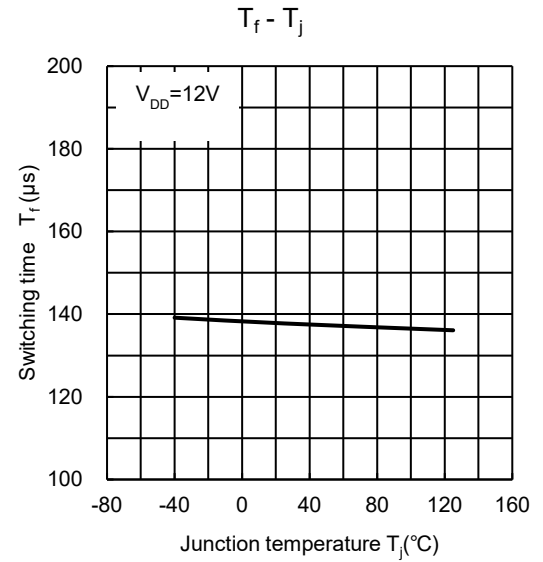
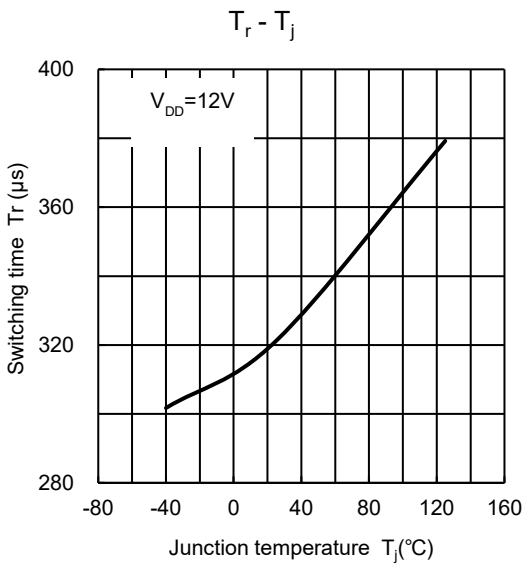
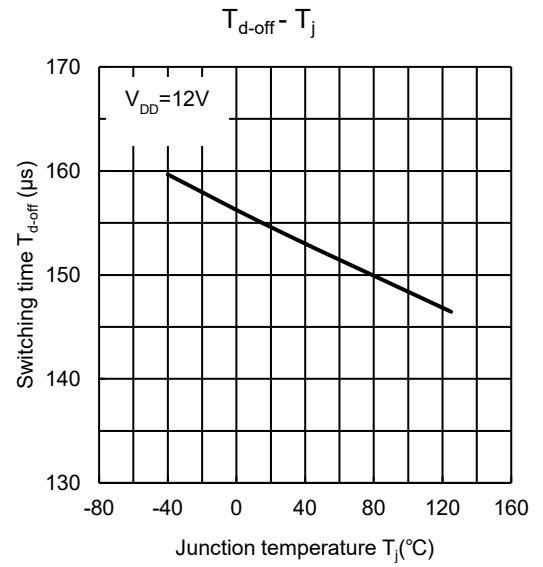
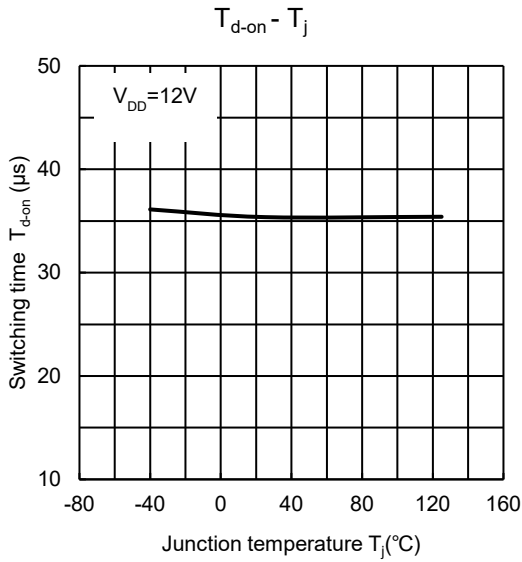
12. Characteristic curves

The below characteristics curves are presented for reference only and not guaranteed by production test, unless otherwise noted.

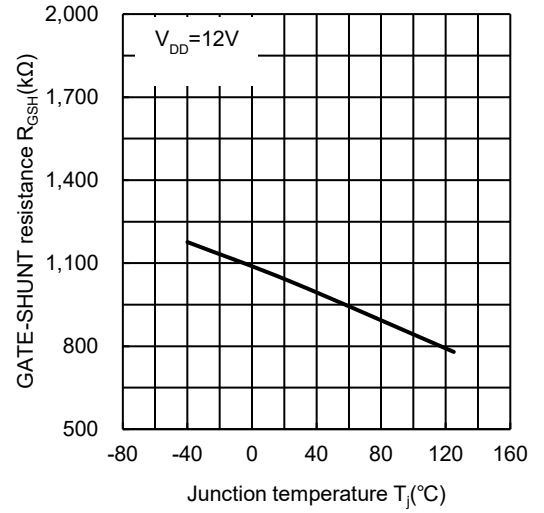




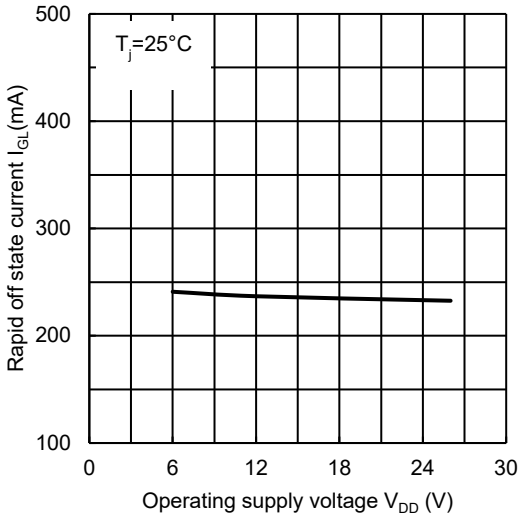




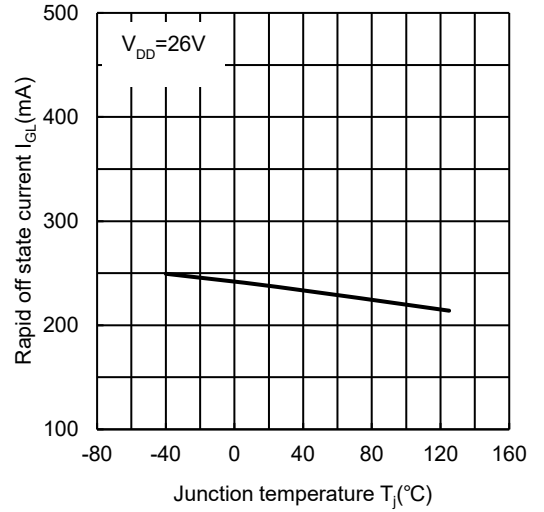
$R_{GSH} - T_j$



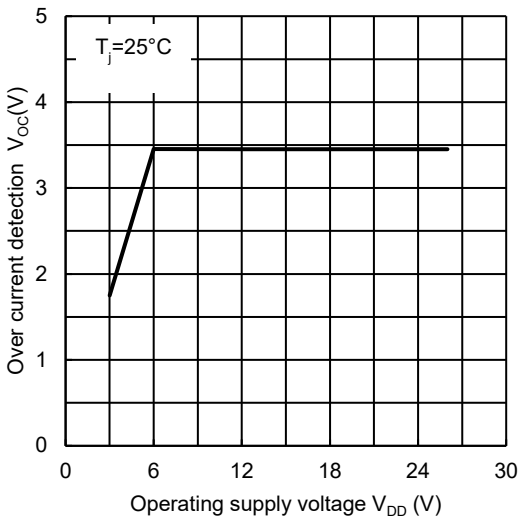
$I_{GL} - V_{DD}$



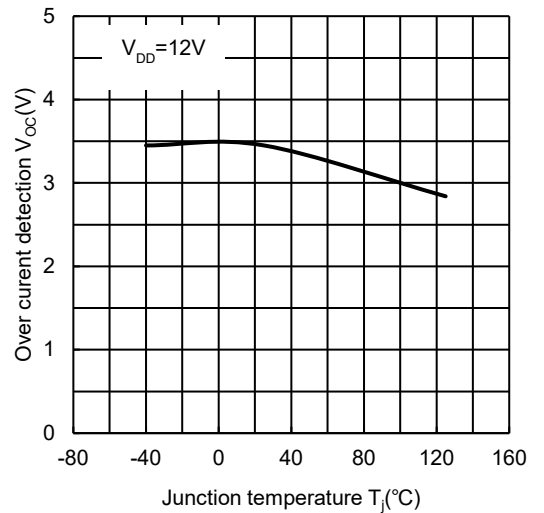
$I_{GL} - T_j$



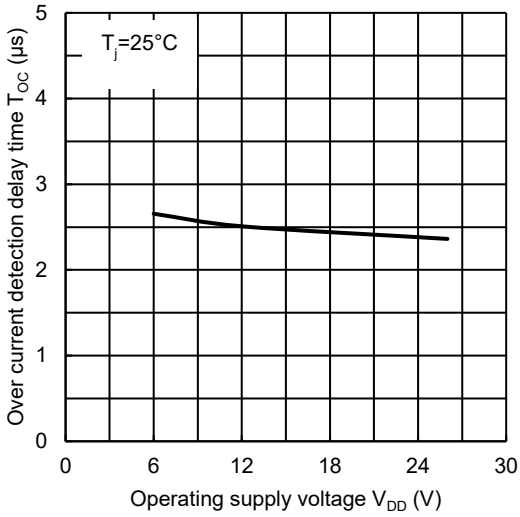
$V_{OC} - V_{DD}$



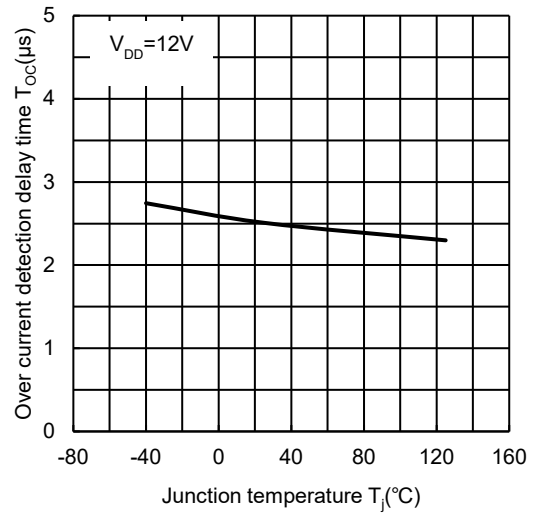
$V_{OC} - T_j$



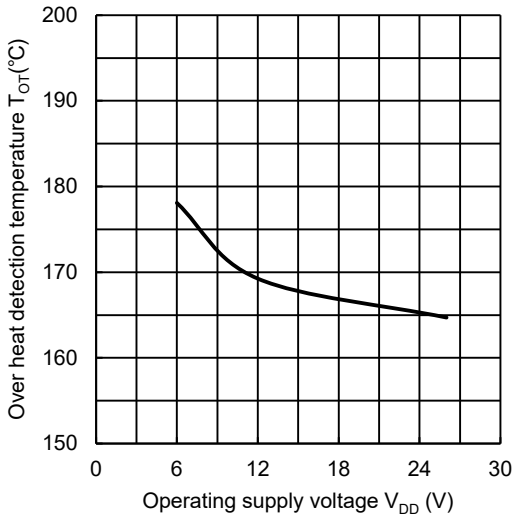
$T_{OC} - V_{DD}$



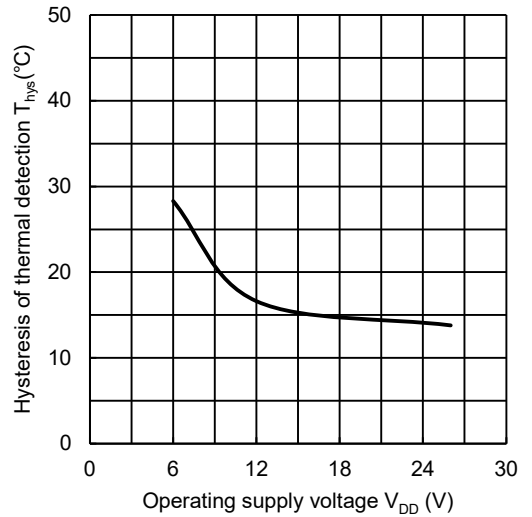
$T_{OC} - T_j$



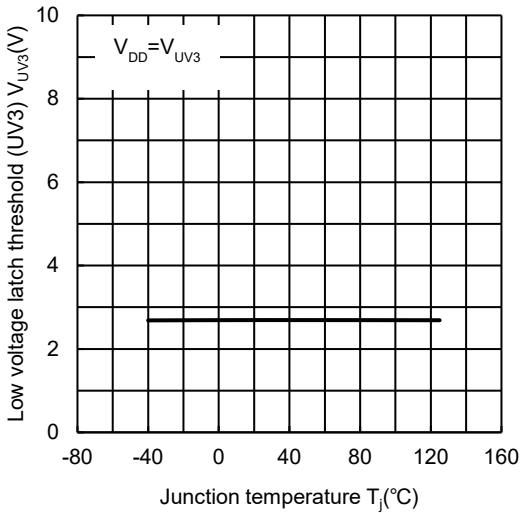
$T_{OT} - V_{DD}$



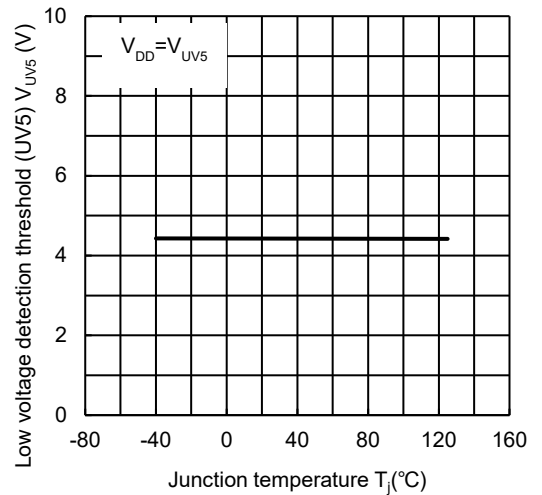
$T_{hys} - V_{DD}$

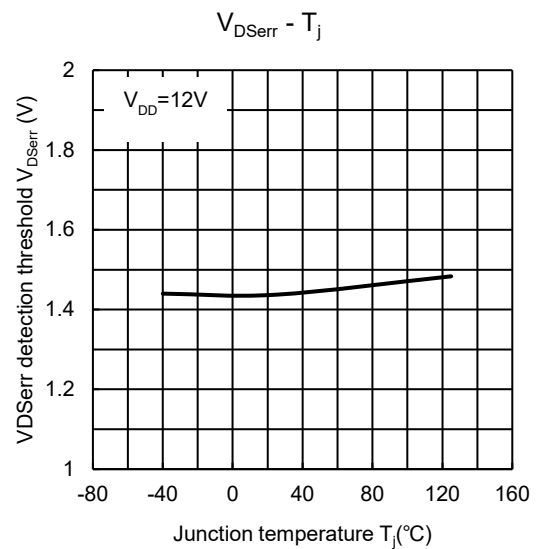
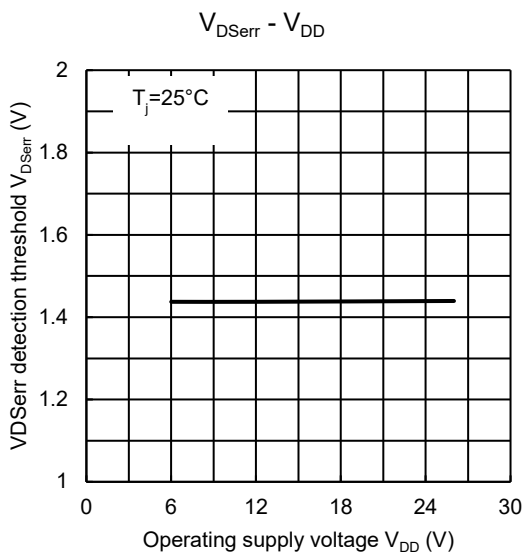
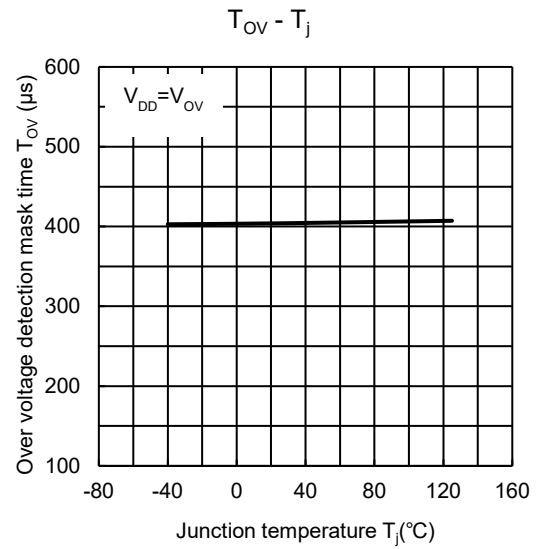
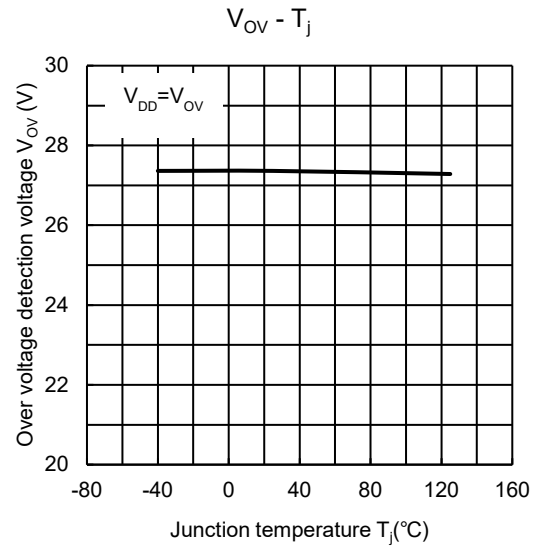
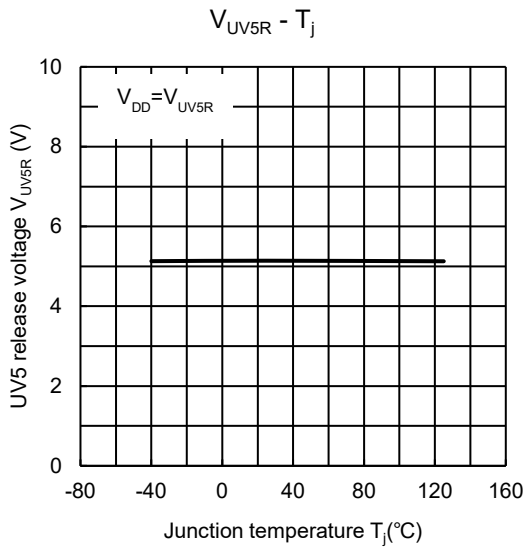


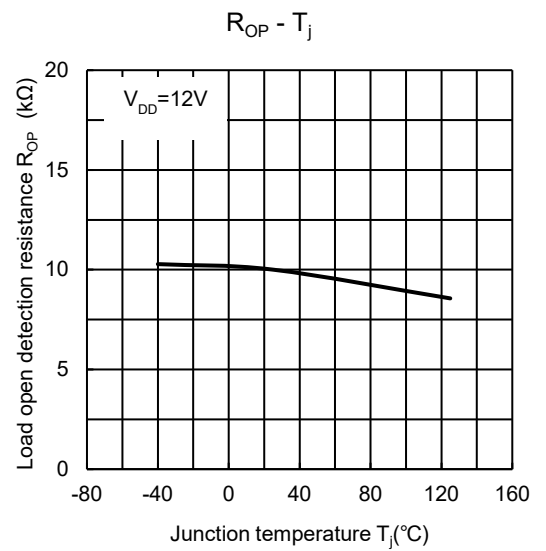
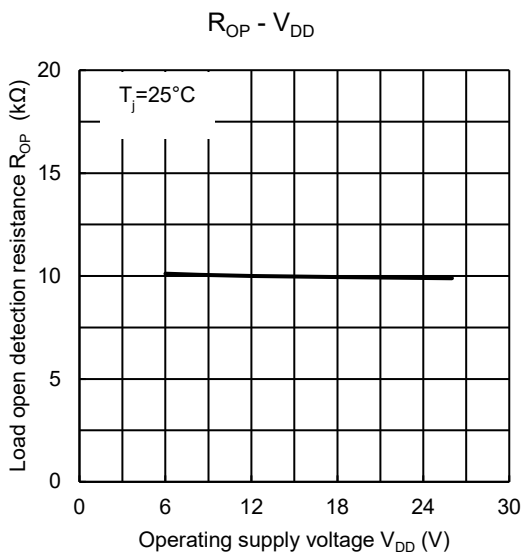
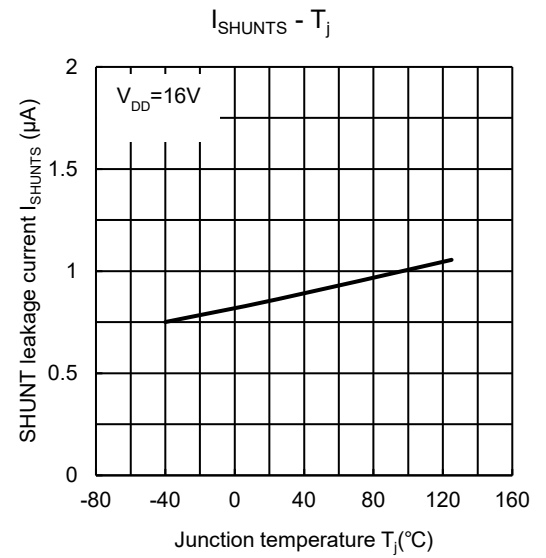
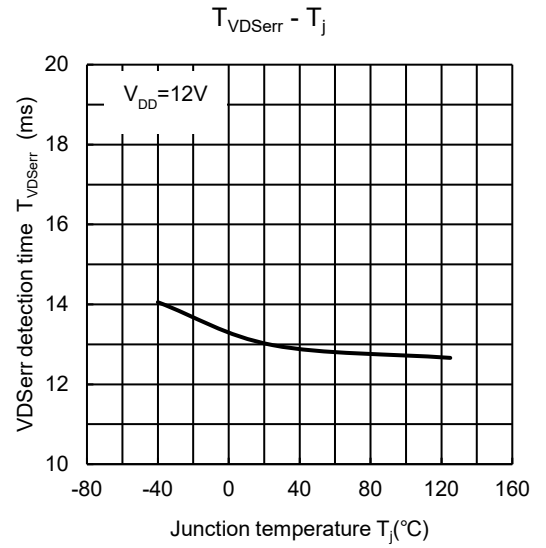
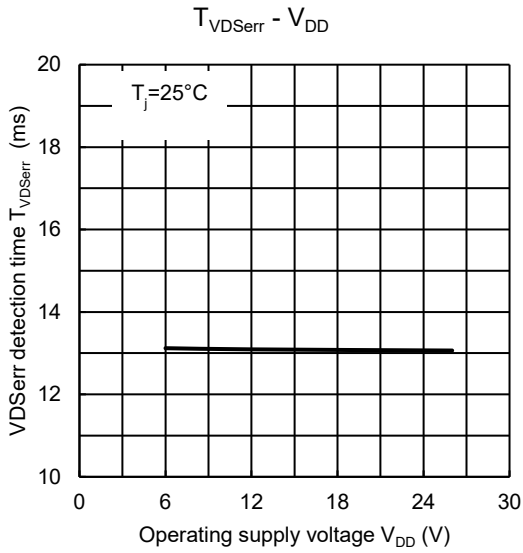
$V_{UV3} - T_j$



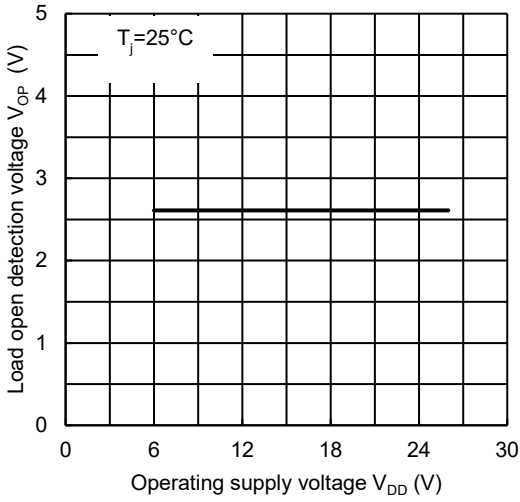
$V_{UV5} - T_j$



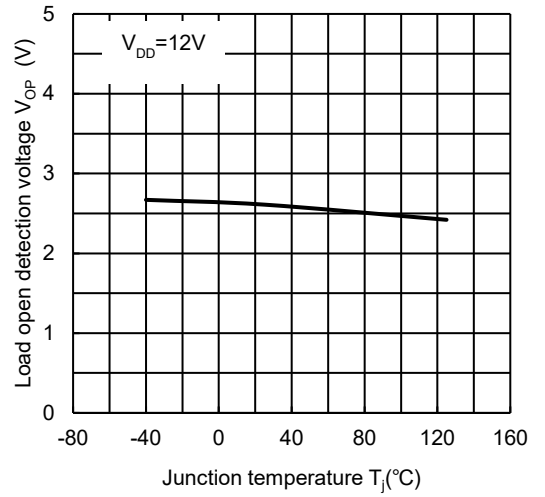




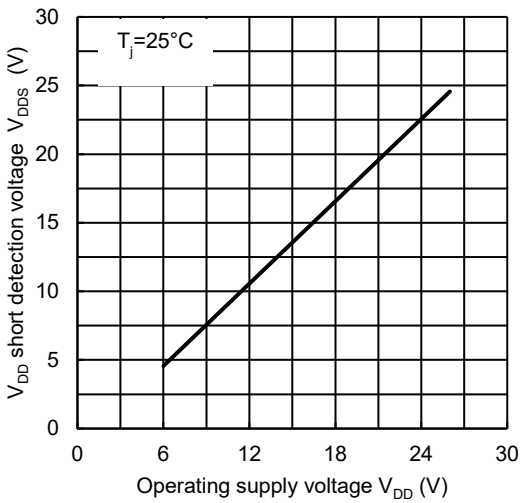
$V_{OP} - V_{DD}$



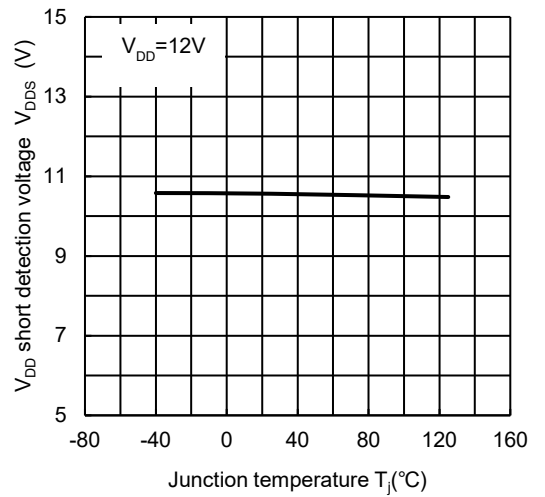
$V_{OP} - T_j$



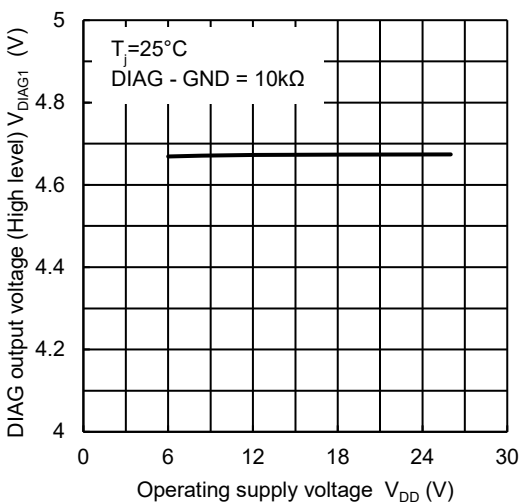
$V_{DDS} - V_{DD}$



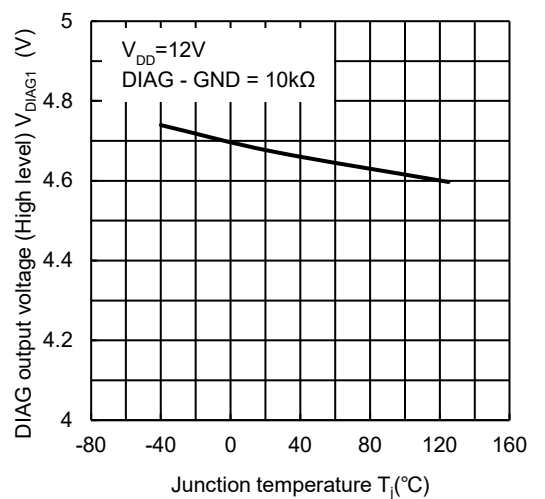
$V_{DDS} - T_j$



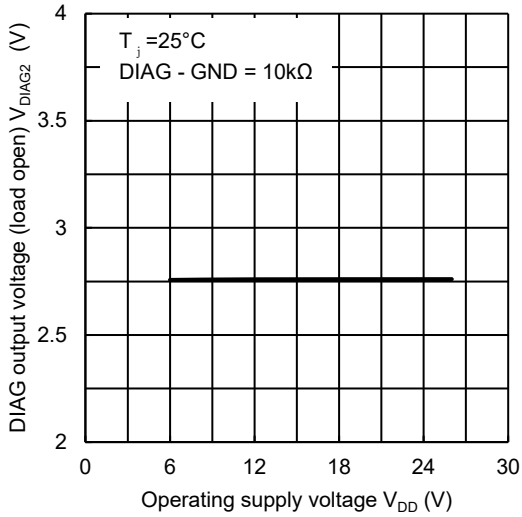
$V_{DIAG1} - V_{DD}$



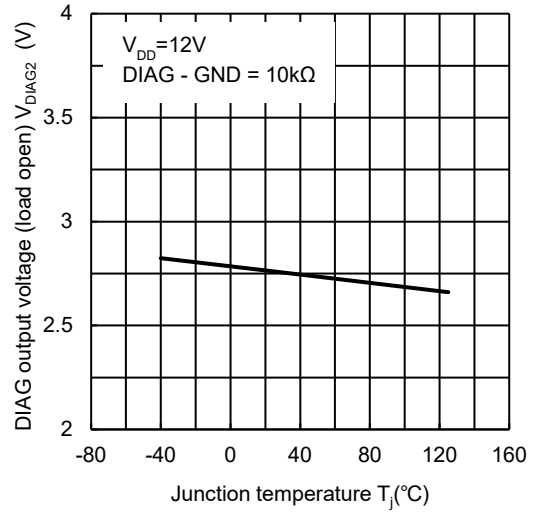
$V_{DIAG1} - T_j$



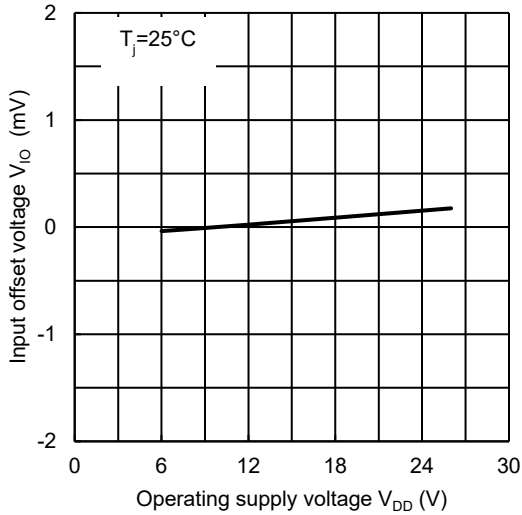
$V_{DIAG2} - V_{DD}$



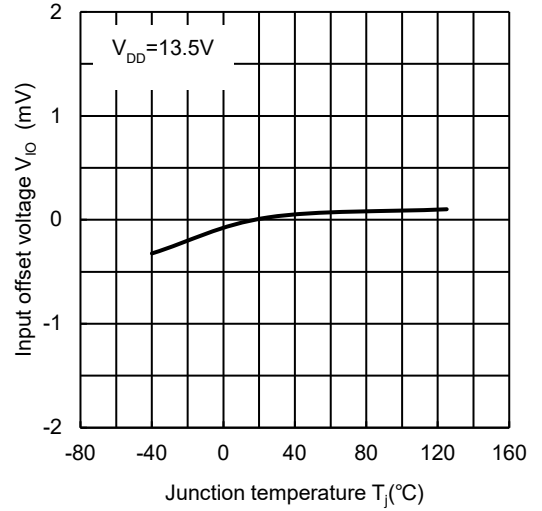
$V_{DIAG2} - T_j$



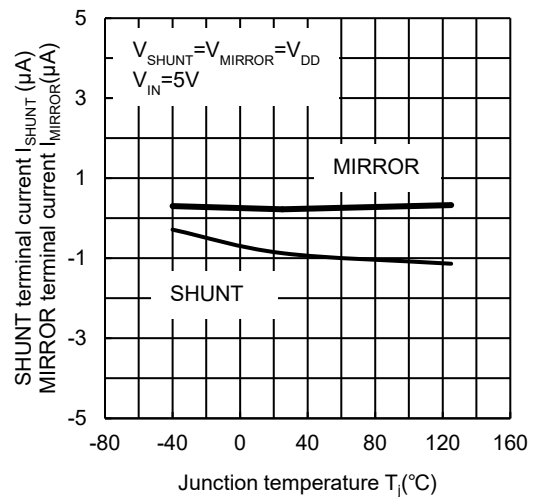
$V_{IO} - V_{DD}$



$V_{IO} - T_j$



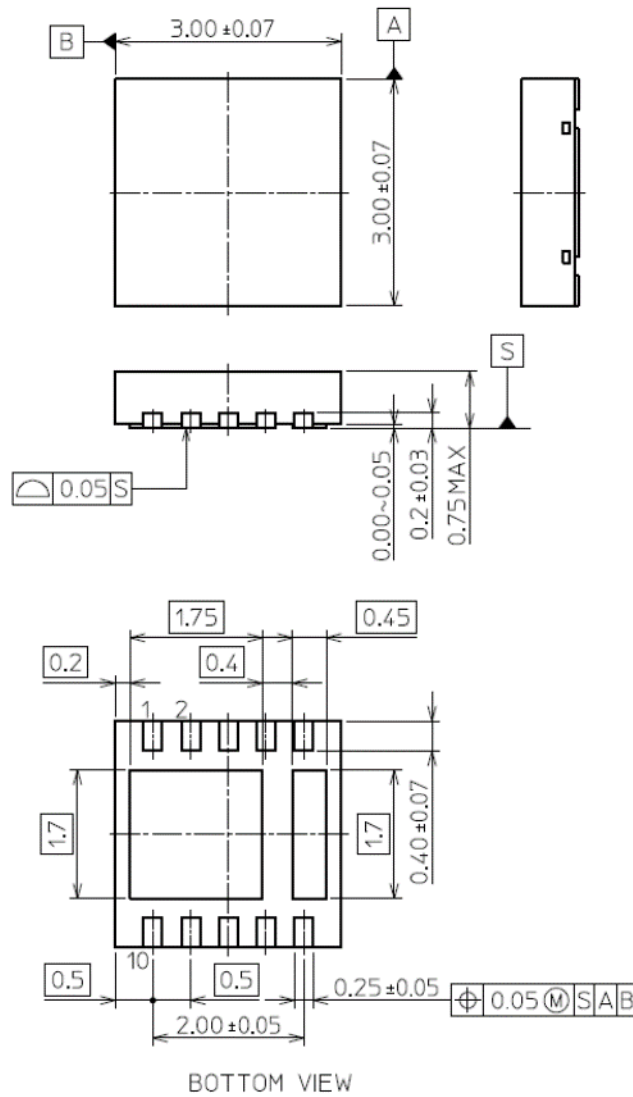
$I_{SHUNT}, I_{MIRROR} - T_j$



13. Package Information

13.1. Package Dimensions

Unit: mm



Weight: 0.02 g (typ.)

Figure 13.1 Package Dimensions

13.2. Marking

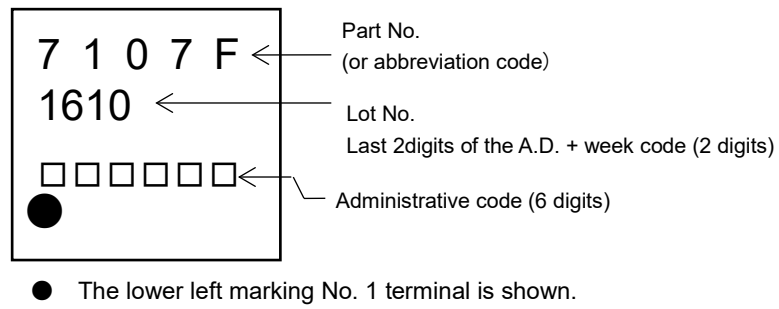


Figure 13.2 Marking

13.3. Land Pattern Dimensions for Reference only

Unit: mm

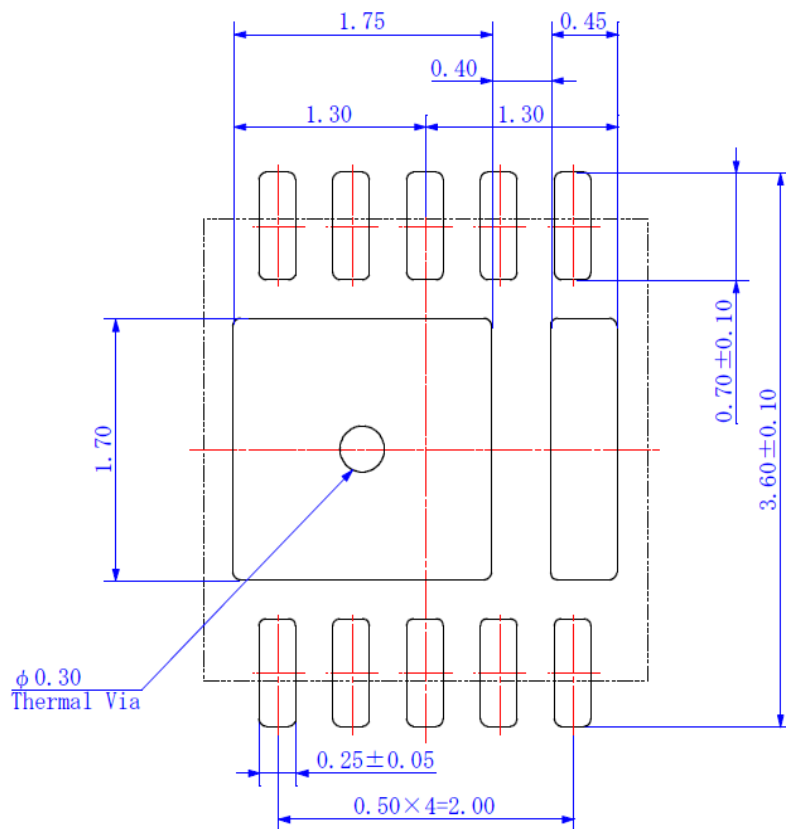


Figure 13.3 Land Pattern Dimensions for Reference only

14. IC Usage Notes

14.1. Notes on Handling of ICs

- (1) The absolute maximum ratings of a semiconductor device are a set of ratings that must not be exceeded, even for a moment.
- (2) The voltage more than current sense voltage or diagnostic output voltage may be outputted to a DIAG output by the injection of a power supply, interception conditions, the input condition to current sense amplifier, etc. Please confirm problem existence by a set in the case of use. Moreover, please give me a measure by a capacitor etc. if needed.

14.2. Notes on mounting.

- (1) Please make Die pad 1 into GND and the potential.
- (2) Please make Die pad 2 into SHUNT (7pin) and the potential.

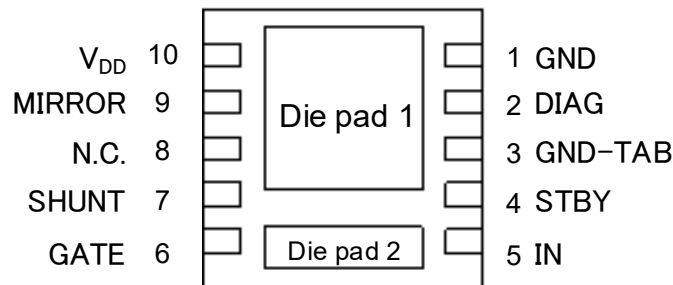


Figure 14.1 Pin arrange (Bottom View)

RESTRICTIONS ON PRODUCT USE

Toshiba Corporation and its subsidiaries and affiliates are collectively referred to as "TOSHIBA". Hardware, software and systems described in this document are collectively referred to as "Product".

- TOSHIBA reserves the right to make changes to the information in this document and related Product without notice.
- This document and any information herein may not be reproduced without prior written permission from TOSHIBA. Even with TOSHIBA's written permission, reproduction is permissible only if reproduction is without alteration/omission.
- Though TOSHIBA works continually to improve Product's quality and reliability, Product can malfunction or fail. Customers are responsible for complying with safety standards and for providing adequate designs and safeguards for their hardware, software and systems which minimize risk and avoid situations in which a malfunction or failure of Product could cause loss of human life, bodily injury or damage to property, including data loss or corruption. Before customers use the Product, create designs including the Product, or incorporate the Product into their own applications, customers must also refer to and comply with (a) the latest versions of all relevant TOSHIBA information, including without limitation, this document, the specifications, the data sheets and application notes for Product and the precautions and conditions set forth in the "TOSHIBA Semiconductor Reliability Handbook" and (b) the instructions for the application with which the Product will be used with or for. Customers are solely responsible for all aspects of their own product design or applications, including but not limited to (a) determining the appropriateness of the use of this Product in such design or applications; (b) evaluating and determining the applicability of any information contained in this document, or in charts, diagrams, programs, algorithms, sample application circuits, or any other referenced documents; and (c) validating all operating parameters for such designs and applications. **TOSHIBA ASSUMES NO LIABILITY FOR CUSTOMERS' PRODUCT DESIGN OR APPLICATIONS.**
- **PRODUCT IS NEITHER INTENDED NOR WARRANTED FOR USE IN EQUIPMENTS OR SYSTEMS THAT REQUIRE EXTRAORDINARILY HIGH LEVELS OF QUALITY AND/OR RELIABILITY, AND/OR A MALFUNCTION OR FAILURE OF WHICH MAY CAUSE LOSS OF HUMAN LIFE, BODILY INJURY, SERIOUS PROPERTY DAMAGE AND/OR SERIOUS PUBLIC IMPACT ("UNINTENDED USE").** Except for specific applications as expressly stated in this document, Unintended Use includes, without limitation, equipment used in nuclear facilities, equipment used in the aerospace industry, lifesaving and/or life supporting medical equipment, equipment used for automobiles, trains, ships and other transportation, traffic signaling equipment, equipment used to control combustions or explosions, safety devices, elevators and escalators, and devices related to power plant. **IF YOU USE PRODUCT FOR UNINTENDED USE, TOSHIBA ASSUMES NO LIABILITY FOR PRODUCT.** For details, please contact your TOSHIBA sales representative or contact us via our website.
- Do not disassemble, analyze, reverse-engineer, alter, modify, translate or copy Product, whether in whole or in part.
- Product shall not be used for or incorporated into any products or systems whose manufacture, use, or sale is prohibited under any applicable laws or regulations.
- The information contained herein is presented only as guidance for Product use. No responsibility is assumed by TOSHIBA for any infringement of patents or any other intellectual property rights of third parties that may result from the use of Product. No license to any intellectual property right is granted by this document, whether express or implied, by estoppel or otherwise.
- **ABSENT A WRITTEN SIGNED AGREEMENT, EXCEPT AS PROVIDED IN THE RELEVANT TERMS AND CONDITIONS OF SALE FOR PRODUCT, AND TO THE MAXIMUM EXTENT ALLOWABLE BY LAW, TOSHIBA (1) ASSUMES NO LIABILITY WHATSOEVER, INCLUDING WITHOUT LIMITATION, INDIRECT, CONSEQUENTIAL, SPECIAL, OR INCIDENTAL DAMAGES OR LOSS, INCLUDING WITHOUT LIMITATION, LOSS OF PROFITS, LOSS OF OPPORTUNITIES, BUSINESS INTERRUPTION AND LOSS OF DATA, AND (2) DISCLAIMS ANY AND ALL EXPRESS OR IMPLIED WARRANTIES AND CONDITIONS RELATED TO SALE, USE OF PRODUCT, OR INFORMATION, INCLUDING WARRANTIES OR CONDITIONS OF MERCHANTABILITY, FITNESS FOR A PARTICULAR PURPOSE, ACCURACY OF INFORMATION, OR NONINFRINGEMENT.**
- Do not use or otherwise make available Product or related software or technology for any military purposes, including without limitation, for the design, development, use, stockpiling or manufacturing of nuclear, chemical, or biological weapons or missile technology products (mass destruction weapons). Product and related software and technology may be controlled under the applicable export laws and regulations including, without limitation, the Japanese Foreign Exchange and Foreign Trade Law and the U.S. Export Administration Regulations. Export and re-export of Product or related software or technology are strictly prohibited except in compliance with all applicable export laws and regulations.
- Please contact your TOSHIBA sales representative for details as to environmental matters such as the RoHS compatibility of Product. Please use Product in compliance with all applicable laws and regulations that regulate the inclusion or use of controlled substances, including without limitation, the EU RoHS Directive. **TOSHIBA ASSUMES NO LIABILITY FOR DAMAGES OR LOSSES OCCURRING AS A RESULT OF NONCOMPLIANCE WITH APPLICABLE LAWS AND REGULATIONS.**

X-ON Electronics

Largest Supplier of Electrical and Electronic Components

Click to view similar products for [MOSFET](#) category:

Click to view products by [Toshiba](#) manufacturer:

Other Similar products are found below :

[614233C](#) [648584F](#) [IRFD120](#) [JANTX2N5237](#) [2N7000](#) [FCA20N60_F109](#) [FDZ595PZ](#) [2SK2545\(Q,T\)](#) [405094E](#) [423220D](#)
[TPCC8103,L1Q\(CM](#) [MIC4420CM-TR](#) [VN1206L](#) [614234A](#) [715780A](#) [NTNS3166NZT5G](#) [SSM6J414TU,LF\(T](#) [751625C](#) [BUK954R8-60E](#)
[DMN3404LQ-7](#) [NTE6400](#) [SQJ402EP-T1-GE3](#) [2SK2614\(TE16L1,Q\)](#) [2N7002KW-FAI](#) [DMN1017UCP3-7](#) [EFC2J004NUZTDG](#) [ECH8691-](#)
[TL-W](#) [FCAB21350L1](#) [P85W28HP2F-7071](#) [DMN1053UCP4-7](#) [NTE221](#) [NTE2384](#) [NTE2903](#) [NTE2941](#) [NTE2945](#) [NTE2946](#) [NTE2960](#)
[NTE2967](#) [NTE2969](#) [NTE2976](#) [NTE455](#) [NTE6400A](#) [NTE2910](#) [NTE2916](#) [NTE2956](#) [NTE2911](#) [TK10A80W,S4X\(S](#) [SSM6P69NU,LF](#)
[DMP22D4UFO-7B](#) [DMN1006UCA6-7](#)