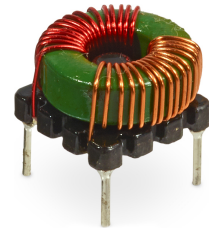
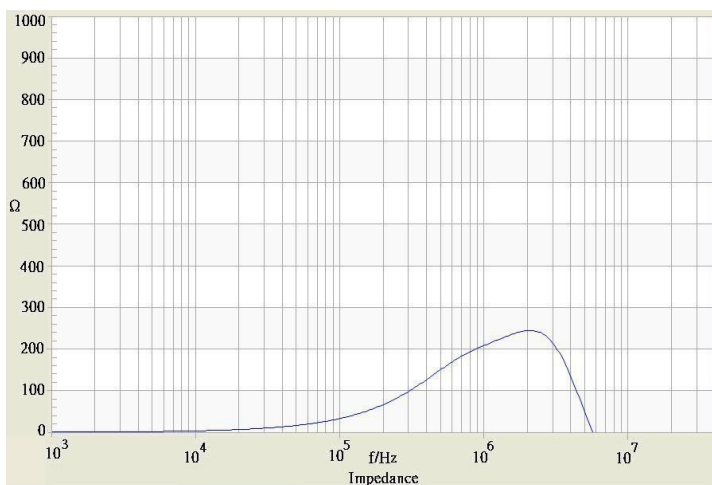


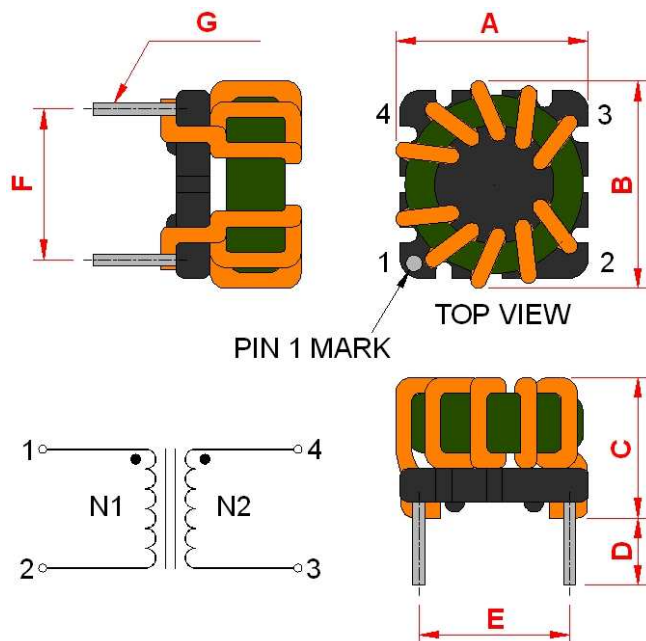
| | |
|----------------------------------|--|
| Order Code | TCK-076 |
| Inductance (each winding) | 55 $\mu\text{H} \pm 35\%$ (at 100 kHz / 20 mV) |
| Impedance (DCR) | 9 m Ω max. |
| Rated Current | 5.7 A max. |
| Rated Voltage | 500 VDC max. (between windings) |
| Operating Temperature | -40°C to +105°C |
| RoHS Exemptions | No Exemptions |



Impedance Curve



Outline Dimensions



| Dimensions [mm] | |
|-----------------|---------------------------|
| A | 11.5 max. |
| B | 11.5 max. |
| C | 8.8 max. |
| D | 2.5 min. |
| E | 7.62 ± 0.2 |
| F | 7.62 ± 0.2 |
| G | $\varnothing 0.6 \pm 0.1$ |

All specifications valid at +25°C, unless otherwise stated.

X-ON Electronics

Largest Supplier of Electrical and Electronic Components

Click to view similar products for [Common Mode Chokes / Filters](#) category:

Click to view products by [TRACO Power](#) manufacturer:

Other Similar products are found below :

[TRACO Power](#)