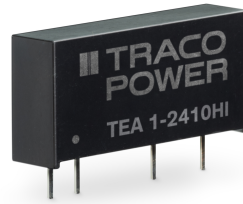


- **Highly cost efficient design**
- **I/O isolation: 4'000 VDC**
- **Operating temperature range  
-40 to +85 °C without derating**
- **5 VDC ( $\pm 10\%$ ) input voltage range**
- **Unregulated outputs**
- **Efficiency up to 78%**
- **Industry standard SIP-7 package**
- **3-year product warranty**



The TEA 1HI is an unregulated 1 Watt DC/DC SIP-7 converter series with high isolation which is specifically designed to offer a low-cost solution while keeping a high quality standard. This new series focuses on a simple but effective design approach, which minimizes component and labor cost and is complemented with a complete automatization of the manufacturing process. An operating temperature range from -40°C to 85°C without derating and an I/O-isolation of 4'000 VDC enables this series to cover many different applications. The industry standard package of this converter offers a broad application range in any space, cost critical application and is especially suited for high volume projects where simple but reliable products are needed.

Models				
Order Code	Input Voltage Range	Output Voltage nom.	Output Current max.	Efficiency typ.
TEA 1-0505HI	4.5 - 5.5 VDC (5 VDC nom.)	5 VDC	200 mA	78 %

### Input Specifications

Input Current	- At no load	28 mA typ.
Surge Voltage		9 VDC max. (1 s max.)
Recommended Input Fuse		500 mA (slow blow) (The need of an external fuse has to be assessed in the final application.)
Input Filter		Internal Capacitor

### Output Specifications

Voltage Set Accuracy		±3% max. (at 60 % load)
Regulation	- Input Variation (1% Vin step) - Load Variation (10 - 90%)	1.5% max. 9% max.
Ripple and Noise	- 20 MHz Bandwidth	100 mVp-p max. 50 mVp-p typ.
Capacitive Load		1'000 µF max.
Minimum Load		Not required
Temperature Coefficient		±0.03 %/K max.
Start-up Time		30 ms max.
Short Circuit Protection		Limited 1 s max.

### Safety Specifications

Safety Standards	- IT / Multimedia Equipment	Designed for EN 60950-1 (no certification)
------------------	-----------------------------	--

### General Specifications

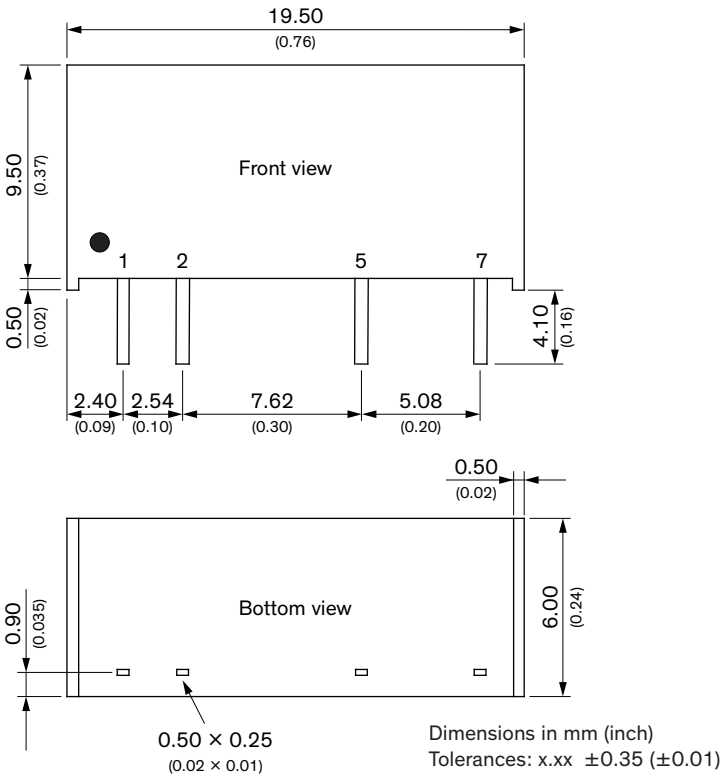
Relative Humidity		95% max. (non condensing)
Temperature Ranges	- Operating Temperature - Case Temperature - Storage Temperature	-40°C to +95°C +105°C max. -55°C to +125°C
Power Derating	- High Temperature	5 %/K above 85°C
Cooling System		Natural convection (20 LFM)
Switching Frequency		100 kHz typ.
Insulation System		Functional Insulation
Isolation Test Voltage	- Input to Output, 60 s	4'000 VDC
Isolation Resistance	- Input to Output, 500 VDC	1'000 MΩ min.
Isolation Capacitance	- Input to Output, 100 kHz, 1 V	30 pF typ.
Reliability	- Calculated MTBF	2'000'000 h (MIL-HDBK-217F, ground benign)
Housing Material		Plastic (UL 94 V-0 rated)
Potting Material		Epoxy (UL 94 V-0 rated)
Pin Material		Tinned Copper
Weight		2 g
Environmental Compliance	- Reach - RoHS	<a href="http://www.tracopower.com/info/reach-declaration.pdf">www.tracopower.com/info/reach-declaration.pdf</a> <a href="http://www.tracopower.com/info/rohs-declaration.pdf">www.tracopower.com/info/rohs-declaration.pdf</a>

### Supporting Documents

Overview Link (for additional Documents)	<a href="http://www.tracopower.com/overview/tea1hi">www.tracopower.com/overview/tea1hi</a>
--	--

All specifications valid at nominal voltage, full load and +25°C after warm-up time unless otherwise stated.

**Outline Dimensions**



Pinout	
Pin	Function
1	+Vin (Vcc)
2	-Vin (GND)
5	-Vout
7	+Vout

## X-ON Electronics

Largest Supplier of Electrical and Electronic Components

*Click to view similar products for [Isolated DC/DC Converters](#) category:*

*Click to view products by [TRACO Power](#) manufacturer:*

Other Similar products are found below :

[ESM6D044440C05AAQ](#) [FMD15.24G](#) [PSL486-7LR](#) [Q48T30020-NBB0](#) [JAHW100Y1](#) [SPB05C-12](#) [SQ24S15033-PS0S](#) [18952](#) [19-130041](#)  
[CE-1003](#) [CE-1004](#) [GQ2541-7R](#) [RDS180245](#) [MAU228](#) [J80-0041NL](#) [DFC15U48D15](#) [XGS-0512](#) [XGS-1205](#) [XGS-1212](#) [XGS-2412](#) [XGS-2415](#) [XKS-1215](#) [06322](#) [NCT1000N040R050B](#) [SPB05B-15](#) [SPB05C-15](#) [L-DA20](#) [DCG40-5G](#) [QME48T40033-PGB0](#) [XKS-2415](#) [XKS-2412](#)  
[XKS-1212](#) [XKS-1205](#) [XKS-0515](#) [XKS-0505](#) [XGS-2405](#) [XGS-1215](#) [XGS-0515](#) [PS9Z-6RM4](#) [73-551-5038I](#) [AK1601-9RT](#) [VI-N61-CM](#) [VI-R5022-EXWW](#) [PSC128-7iR](#) [RPS8-350ATX-XE](#) [DAS1004812](#) [PQA30-D24-S24-DH](#) [VI-M5F-CQ](#) [VI-LN2-EW](#) [VI-PJW01-CZY](#)