

- High power block with excellent thermal convection
- Operating temperature -40°C to +70°C without derating
- Increased shock & vibration resistance
- Ultra wide 4:1 input voltage range
- EN 50155 approval for railway applications
- Excellent efficiency up to 90%
- Input filter meet EN 55032, class A
- I/O insulation 1591 VAC
- Under voltage lock-out circuit
- Soft start



The TEQ 200WIR Series is a family of isolated high performance DC/DC converter modules with ultra-wide 4:1 input voltage ranges which come in a rugged, sealed metal case.

These converters are suitable for a wide range of applications, but the product is designed particularly also for industrial applications where often no PCB mounting is possible but the module has to be mounted on a chassis. A very high efficiency and the overall heatsink construction allows an operating temperature up to +70°C with natural convection cooling without power derating and up to +90°C with power derating. Further features include output voltage trimming, Remote On/Off and under voltage lockout. The very wide input voltage range and reverse input voltage protection make these converters also an interesting solution for battery operated systems.

Models

Order Code	Input Voltage Range	Output Voltage nom.	Output Current max.	Efficiency typ.
TEQ 200-4812WIR	19 - 75 VDC (48 VDC nom.)	12 VDC	18'000 mA	89 %
TEQ 200-4815WIR		24 VDC	9'000 mA	89 %
TEQ 200-4816WIR		28 VDC	7'500 mA	90 %
TEQ 200-4818WIR		48 VDC	4'500 mA	89 %
TEQ 200-7212WIR	43 - 160 VDC (110 VDC nom.)	12 VDC	20'000 mA	88 %
TEQ 200-7215WIR		24 VDC	10'000 mA	88 %
TEQ 200-7216WIR		28 VDC	8'500 mA	89 %
TEQ 200-7218WIR		48 VDC	5'000 mA	88 %

Options

TEQ-MK1	- Optional DIN-Rail Clip: www.tracopower.com/products/teq-mk1.pdf
---------	--

Input Specifications

Input Current	- At no load	48 Vin models: 23 mA typ. 110 Vin models: 13 mA typ.
Surge Voltage		48 Vin models: 100 VDC max. (1 s max.) 110 Vin models: 185 VDC max. (1 s max.)
Under Voltage Lockout		48 Vin models: 15.8 - 17 VDC 110 Vin models: 34.5 - 37.5 VDC
Input Filter		Internal Common Mode Choke + Pi-Type

Output Specifications

Output Voltage Adjustment		-20% to +10% (By trim potentiometer) Output power must not exceed rated power!
Voltage Set Accuracy		±1% max.
Regulation	- Input Variation (Vmin - Vmax) - Load Variation (0 - 100%)	0.1% max. 0.1% max.
Ripple and Noise (20 MHz Bandwidth)		12 Vout models: 125 mVp-p max. 24 Vout models: 250 mVp-p max. 28 Vout models: 250 mVp-p max. 48 Vout models: 350 mVp-p max. 12 Vout models: 100 mVp-p typ. 24 Vout models: 200 mVp-p typ. 28 Vout models: 200 mVp-p typ. 48 Vout models: 300 mVp-p typ.
Capacitive Load	- 48 Vin input - 110 Vin input	12 Vout models: 15'000 µF max. 24 Vout models: 3'700 µF max. 28 Vout models: 2'600 µF max. 48 Vout models: 930 µF max. 12 Vout models: 16'600 µF max. 24 Vout models: 4'100 µF max. 28 Vout models: 3'000 µF max. 48 Vout models: 1'000 µF max.
Minimum Load		Not required
Temperature Coefficient		±0.02 %/K max.
Start-up Time		75 ms typ.
Short Circuit Protection		Continuous, Automatic recovery
Output Current Limitation		120 - 150% of Iout max.
Overvoltage Protection		115 - 130% of Vout nom.
Transient Response	- Response Time	200 µs typ. / 250 µs max. (25% Load Step)

Safety Specifications

Safety Standards	- IT / Multimedia Equipment - Industrial Control Equipment - Railway Applications - Certification Documents	IEC 60950-1 EN 60950-1 UL 60950-1 CSA-C22.2, No 60950-1 UL 508 EN 50155 www.tracopower.com/overview/teq200wir
Pollution Degree		PD 2
Over Voltage Category		OVC II

All specifications valid at nominal voltage, full load and +25°C after warm-up time unless otherwise stated.

EMC Specifications

EMI Emissions		EN 50121-3-2 (EMC for Rolling Stock)
- Conducted Emissions		EN 55011 class A (internal filter)
		EN 55032 class A (internal filter)
- Radiated Emissions		EN 55011 class A (internal filter)
		EN 55032 class A (internal filter)
EMS Immunity		EN 50155 (Railway Applications)
		EN 50121-3-2 (EMC for Rolling Stock)
		EN 55024 (IT Equipment)
		EN 61204-3 (Low Voltage Power Supplies)
- Electrostatic Discharge	Air:	EN 61000-4-2, ± 8 kV, perf. criteria A
	Contact:	EN 61000-4-2, ± 6 kV, perf. criteria A
- RF Electromagnetic Field		EN 61000-4-3, 20 V/m, perf. criteria A
- EFT (Burst)		EN 61000-4-4, ± 2 kV, perf. criteria A
- Surge		EN 61000-4-5, ± 2 kV, perf. criteria A
- Conducted RF Disturbances		EN 61000-4-6, 10 Vrms, perf. criteria A
- PF Magnetic Field	Continuous:	EN 61000-4-8, 100 A/m, perf. criteria A

General Specifications

Relative Humidity		95% max. (non condensing)
Temperature Ranges	- Operating Temperature	-40°C to +90°C
	- Storage Temperature	-40°C to +105°C
Power Derating	- High Temperature	See application note: www.tracopower.com/overview/teq200wir
Over Temperature Protection Switch Off		105°C min. / 115°C typ. / 120°C max. (Automatic recovery)
Cooling System		Natural convection (20 LFM)
Sense Function		10% max. of Vout nom.
Remote Control	- Voltage Controlled Remote	On: 3.0 to 12 VDC or open circuit Off: 0 to 1.2 VDC or short circuit Refers to 'Remote' and '-Vin' Pin
	- Off Idle Input Current	8 mA max.
	- Remote Pin Input Current	-0.5 to 1.0 mA
Altitude During Operation		2'000 m max.
Switching Frequency		225 - 275 kHz (PWM) 250 kHz typ. (PWM)
Insulation System		Reinforced Insulation
Isolation Test Voltage	- Input to Output, 60 s	1'591 VAC
	- Input to Case, 60 s	1'131 VAC
	- Output to Case, 60 s	1'131 VAC
Isolation Resistance	- Input to Output, 500 VDC	1'000 MOhm min.
Reliability	- Calculated MTBF	270'000 h (MIL-HDBK-217F at 55°C, ground benign)
Environment	- Vibration	MIL-STD-810F EN 61373
	- Mechanical Shock	MIL-STD-810F EN 61373
	- Thermal Shock	MIL-STD-810F
Housing Material		Aluminium
Potting Material		Silicone (UL 94 V-0 rated)
Connection Type		Clip
Weight		800 g
Thermal Impedance		1.45 K/W
Environmental Compliance	- Reach	www.tracopower.com/info/reach-declaration.pdf
	- RoHS	www.tracopower.com/info/rohs-declaration.pdf
	- Flammability (EN 45545-2)	www.tracopower.com/info/en45545-declaration.pdf

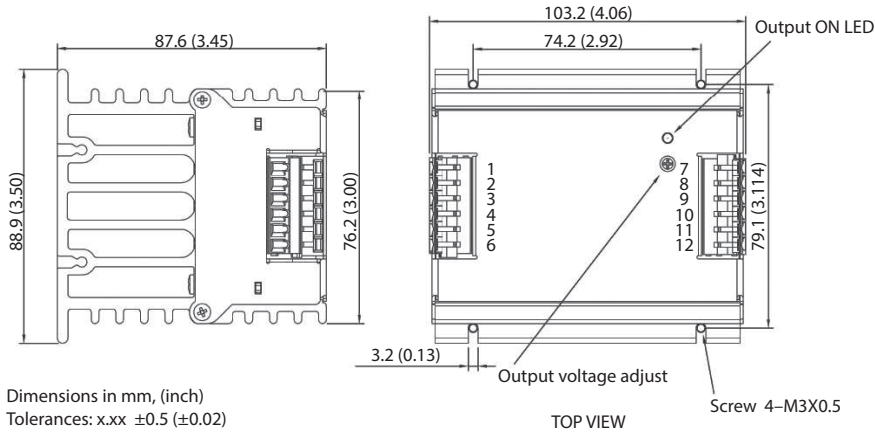
All specifications valid at nominal voltage, full load and +25°C after warm-up time unless otherwise stated.

Supporting Documents

[Overview Link](#) (for additional Documents)

www.tracopower.com/overview/teq200wir

Outline Dimensions



Dimensions in mm, (inch)
Tolerances: x.xx ±0.5 (±0.02)

Terminal connection		
Terminal	Pin Function	Recommended Wire
1,2	-Vin	12 AWG
3	NC	NC
4	Remote	14 - 18 AWG
5, 6	+Vin	12 AWG
7, 8	-Vout	12 AWG
9	-Sense*	14 - 18 AWG
10	+Sense*	14 - 18 AWG
11, 12	+Vout	12 AWG

NC: No Connection

- * Sense line to be connected to the output either at the module or at the load under regard of polarity.
- The current rating of the terminal block is 15 A/pole.
- Using 2 poles in parallel if the peak output current can exceed 15 A.
- Wire size shall be selected to withstand the peak output current (I_{out max} + Current limitation).

X-ON Electronics

Largest Supplier of Electrical and Electronic Components

Click to view similar products for [Isolated DC/DC Converters](#) category:

Click to view products by [TRACO Power](#) manufacturer:

Other Similar products are found below :

[PSL486-7LR](#) [Q48T30020-NBB0](#) [JAHW100Y1](#) [SPB05C-12](#) [SQ24S15033-PS0S](#) [CE-1003](#) [CE-1004](#) [MAU228](#) [J80-0041NL](#) [DFC15U48D15](#)
[XGS-1205](#) [06322](#) [SPB05B-15](#) [L-DA20](#) [DCG40-5G](#) [XKS-2405](#) [DPA423R](#) [vi-m13-cw-03](#) [VI-L53-CV](#) [24IBX15-50-0ZG](#) [HZZ01204-G](#)
[SPU02L-09](#) [SPU02M-09](#) [SPU02N-09](#) [QUINT4-BUFFER/24DC/40](#) [QUINT4-CAP/24DC/5/4KJ](#) [73-551-5039I](#) [DFC15U48D15G](#) [SEN-6471-](#)
[1EM](#) [AHV2815DF/HBB](#) [MI-LC21-IX](#) [PAH-48/8.5-D48NB1-C](#) [BM3020-7A](#) [QRS2050P025K00](#) [CM2320-9EG](#) [SKMW15F-05](#)
[V300A28H400BF3](#) [TEN 15-1223](#) [TEQ 100-2418WIR](#) [TEQ 160-7218WIR](#) [R05C05TE05S-R](#) [HQA2W085W033V-N07-S](#) [AM1SS-2405SJZ](#)
[AM2DS-1224SJZ](#) [AM2DS-2405DJZ](#) [AM10SBO-4824SNZ-B](#) [AM15E-2405S-NZ](#) [AM2DS-1212SJZ](#) [AM30SBO-4805SNZ-B](#)
[LT8301ES5#WTRPBF](#)