

 **TRACO POWER**

**2020** | **Household/Building Technology**  
Product Portfolio



## Company Profile

TRACO Electronic AG is a Swiss company with headquarters based in Baar, Switzerland. As a leading power supply specialist with more than 40 years' experience we are dedicated to the design and manufacturing of high-quality DC/DC and AC/DC power conversion products. TRACO markets its products worldwide under the registered trademark TRACO POWER.

Our mission is to provide our customers with optimal power supply solutions in terms of performance, quality and cost for their individual application.

## Requirements for AC/DC Power supplies used in Household, Smart Building & Office Automation:

Power supplies which are used for household and building/office technology must meet complex technical requirements, electrical compliance and safety regulations.

Important features for the AC/DC power supplies include high efficiency, ultra-low no-load power consumption (ErP compliant), small size, extra-wide input voltage range, high reliability and an affordable price are key elements to all these home/building automation applications and the ever-increasing regional compliance and safety standards including IEC/EN 60335-1.

Traco Power has decades of experience in developing optimised power supply solutions for building & home automation. The product range includes AC/DC power supplies from 2-150 Watt which perfectly meet these requirements.

## Household/building automation rated power supplies provide these standard features:

- Efficiency up to 94%
- Ultra-low standby power consumption acc. to ErP directive
- Ultra-compact design: DIN-Rail case form factors meet standard building automation requirements (depth 55 mm max)
- Optimized for IoT applications
- Flush box solutions available
- Various package and connection types available

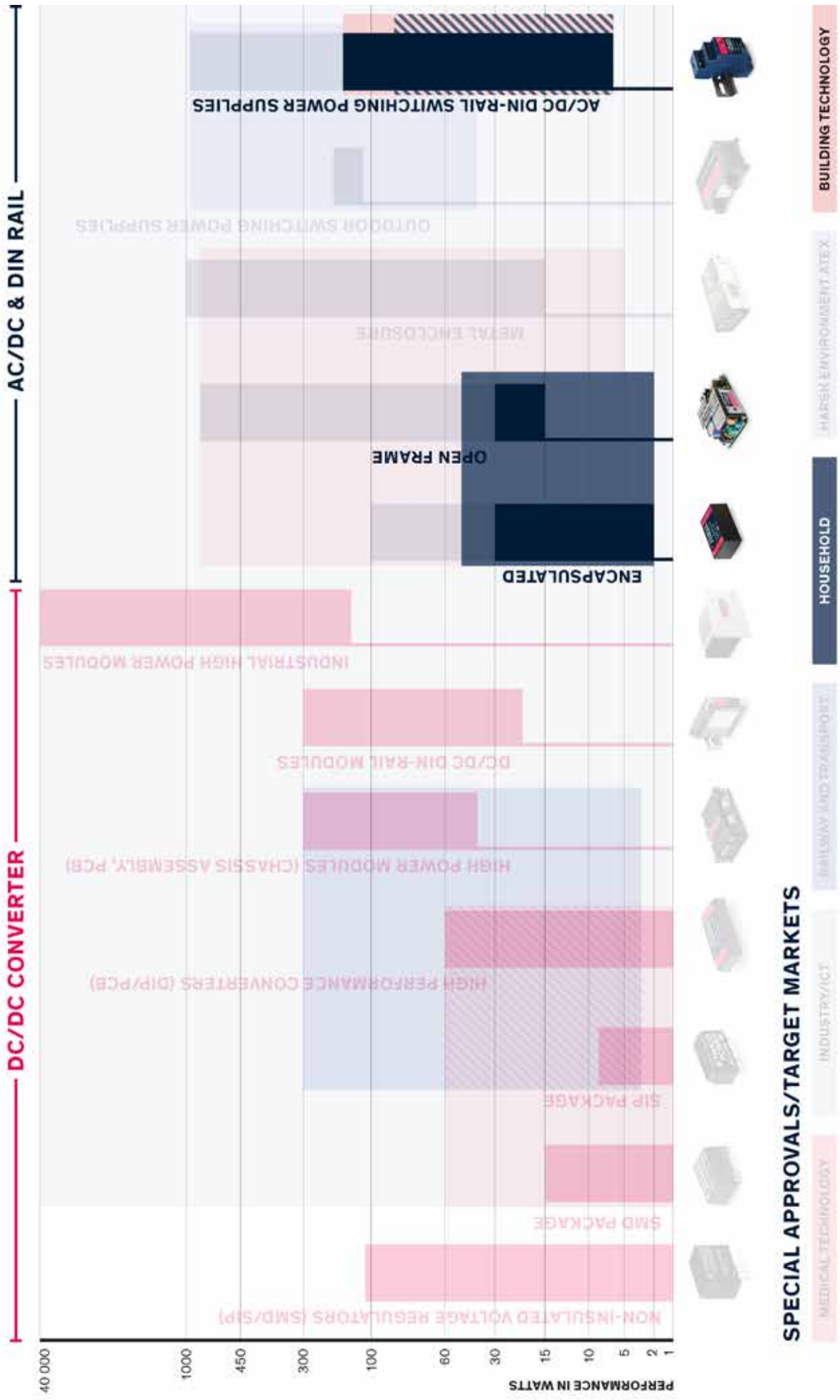
## Household/building automation rated power supplies meet the following standards:

- Household power supplies meet the increased requirements defined within EN 60335-1
- IEC/EN/UL 60950-1 and IEC/EN/UL 62368-1
- ErP complaint with ultra-low, no load power draw
- UL 1310 class II / NEC class 2 compliance
- EN 55032 conducted & Radiated level B

## Customer specific applications / customized solutions

It is often not possible to find a standard power supply that fully complies with the respective requirements or without unnecessary features making the application more expensive. With our design center, TRACO POWER SOLUTIONS we also have the level of competence to develop and optimize power supplies for unique, customer-specific requirements. The motto from our design team is "Reduced to the Max" and develop or modify a solution specific to your needs at the lowest cost of ownership.

Note: All dimension drawings in mm (inch)



**SPECIAL APPROVALS/TARGET MARKETS**

## Index

### PCB Mount

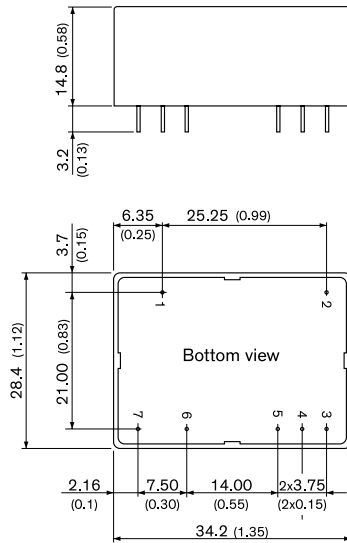
|           |                                                                                         |                              |           |    |
|-----------|-----------------------------------------------------------------------------------------|------------------------------|-----------|----|
| TMSB 2    | 1.35" x 1.12", PCB mount, encapsulated, constant power function, 4242 VAC I/O-isolation |                              | 2 Watt    | 5  |
| TMPS 03   | 1" x 1", PCB mount, encapsulated, 3000 VAC I/O-isolation                                |                              | 3 Watt    | 5  |
| TMPS 05   | 1" x 1", PCB mount, encapsulated, 3000 VAC I/O-isolation                                |                              | 5 Watt    | 6  |
| TMPW 5    | 1.46" x 1.08", PCB mount, 90-305 VAC input, encapsulated, 4000 VAC I/O-isolation        | <b>NEW under development</b> | 5 Watt    | 6  |
| TMPW 5-J  | 2.17" x 1.08", chassis mount, 90-305 VAC input, encapsulated, 4000 VAC I/O-isol.        | <b>NEW under development</b> | 5 Watt    | 7  |
| TIW 6/12  | 2.2" x 2.2" package, flush box mounting, encapsulated (IP67), 4000 VAC I/O-isol.        |                              | 6/12 Watt | 7  |
| TMPS 10   | 1.5" x 1", PCB mount, encapsulated, 3000 VAC I/O-isolation                              |                              | 10 Watt   | 8  |
| TMPW 10   | 1.46" x 1.08", PCB mount, 90-305 VAC input, encapsulated, 4000 VAC I/O-isolation        | <b>NEW under development</b> | 10 Watt   | 8  |
| TMPW 10-J | 2.17" x 1.08", chassis mount, 90-305 VAC input, encapsulated, 4000 VAC I/O-isol.        | <b>NEW under development</b> | 10 Watt   | 9  |
| TMPS 15   | 2" x 1", PCB mount, encapsulated, 3000 VAC I/O-isolation                                | <b>NEW under development</b> | 15 Watt   | 9  |
| TPP 15-J  | 2.82" x 1.14" package, chassis mount (JST), encapsulated, 4000 VAC I/O-isolation        |                              | 15 Watt   | 10 |
| TPP 15-D  | 1.65" x 1.14 package, PCB-mount, encapsulated, 4000 VAC I/O-isolation                   |                              | 15 Watt   | 10 |
| TPP 15A-J | 2.6" x 1.0" package, chassis mount (JST), open frame, 4000 VAC I/O-isolation            |                              | 15 Watt   | 11 |
| TPP 15A-D | 1.5" x 1.0" package, PCB-mount, open frame, 4000 VAC I/O-isolation                      |                              | 15 Watt   | 11 |
| TIW 24    | 2.2" x 2.2" package, flush box mounting, encapsulated (IP67), 4000 VAC I/O-isol.        |                              | 24 Watt   | 12 |
| TMW 24    | 2.09" x 2.0" package, flush box mounting, encapsulated (IP68), 4000 VAC I/O-isol.       | <b>NEW under development</b> | 24 Watt   | 12 |
| TMPW 25   | 2.07" x 1.08", PCB mount, 90-305 VAC input, encapsulated, 4000 VAC I/O-isolation        | <b>NEW under development</b> | 25 Watt   | 13 |
| TMPW 25-J | 3.48" x 1.08", chassis mount, 90-305 VAC input, encapsulated, 4000 VAC I/O-isol.        | <b>NEW under development</b> | 25 Watt   | 13 |
| TPP 30-J  | 3.95" x 1.5" package, chassis mount (JST), encapsulated, 4000 VAC I/O-isolation         |                              | 30 Watt   | 14 |
| TPP 30-D  | 2.89" x 1.50 package, PCB-mount, encapsulated, 4000 VAC I/O-isolation                   |                              | 30 Watt   | 14 |
| TPP 30A-J | 3.34" x 1.36" package, chassis mount (JST), open frame, 4000 VAC I/O-isolation          |                              | 30 Watt   | 15 |
| TPP 30A-D | 2.74" x 1.1" package, PCB-mount, open frame, 4000 VAC I/O-isolation                     |                              | 30 Watt   | 15 |
| TMW 36    | 2.09" x 2.0" package, flush box mounting, encapsulated (IP68), 4000 VAC I/O-isol.       | <b>NEW under development</b> | 36 Watt   | 16 |
| TMPW 50   | 2.92" x 1.85", PCB mount, 90-305 VAC input, encapsulated, 4000 VAC I/O-isolation        | <b>NEW under development</b> | 50 Watt   | 16 |
| TMPW 50-J | 3.81" x 1.85", chassis mount, 90-305 VAC input, encapsulated, 4000 VAC I/O-isol.        | <b>NEW under development</b> | 50 Watt   | 17 |

### DIN-Rail Mount

|                 |                                                                                               |  |             |    |
|-----------------|-----------------------------------------------------------------------------------------------|--|-------------|----|
| TBLC            | Low profile case (55mm depth), 85-264 VAC input, high efficiency, EN 60355-1, UL 1310, UL 508 |  | 6–90 Watt   | 18 |
| TBL             | Low profile case (55mm depth), 85-264 VAC input, UL 1310, UL 508                              |  | 15–150 Watt | 18 |
| TPC             | Slim profile case, 85-264 VAC input, robust design, ErP ready, UL 508                         |  | 30–120 Watt | 19 |
| TCL             | Slim profile case, 85-264 VAC input, UL 508                                                   |  | 24–240 Watt | 19 |
| TSPC-240-124UPS | Compact universal power supply for uninterruptable 24 VDC output voltage                      |  | 240 Watt    | 20 |
| TSP-BCMU360     | Universal battery controller module for uninterruptable 24 VDC and 48 VDC bus voltage         |  | 360 Watt    | 20 |

TMSB 2

2 Watt



- Standby power module to comply with ErP directive
- No load input power < 150mW
- Constant power characteristics at 2W (no current limitation)
- Suitable to drive relays, solenoids, capacitive loads and LED's
- Constant voltage auxiliary outputs 3.3 and 5 VDC
- Operating temperature range -30°C to +70°C
- EMI meets EN 55032, class B and FCC, level B
- Short circuit, overload protection
- 3-year product warranty

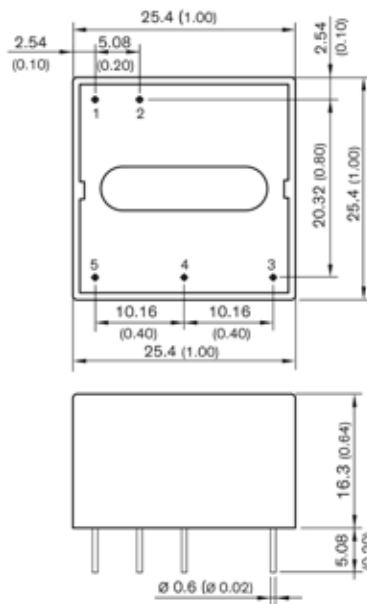
| Pinout / Connection |        |        |
|---------------------|--------|--------|
| Pin                 | Single | Dual   |
| 1                   | NC     | NC     |
| 2                   | NC     | NC     |
| 3                   | +Vout  | +Vout1 |
| 4                   | -Vout  | Common |
| 5                   | No pin | +Vout2 |
| 6                   | AC(N)  | AC(N)  |
| 7                   | AC(L)  | AC(L)  |

| Model       | Output 1                       | Output 2                       | Efficiency |
|-------------|--------------------------------|--------------------------------|------------|
| TMSB 2-108  | 8.0 VDC / 250 mA               | -                              | 72 %       |
| TMSB 2-114  | 14 VDC / 143 mA                | -                              | 74 %       |
| TMSB 2-124  | 24 VDC / 83 mA                 | -                              | 76 %       |
| TMSB 2-283  | 8.0 VDC / 250 mA <sup>1)</sup> | 3.3 VDC / 160 mA <sup>1)</sup> | 69 %       |
| TMSB 2-285  | 8.0 VDC / 250 mA <sup>1)</sup> | 5.0 VDC / 250 mA <sup>1)</sup> | 69 %       |
| TMSB 2-2143 | 14 VDC / 143 mA <sup>2)</sup>  | 3.3 VDC / 70 mA <sup>2)</sup>  | 70 %       |
| TMSB 2-2145 | 14 VDC / 143 mA <sup>2)</sup>  | 5.0 VDC / 83 mA <sup>2)</sup>  | 70 %       |

1) Iout1 + Iout2 = 250 mA max.  
 2) Iout1 + Iout2 = 143 mA max.

TMPS 03

3 Watt

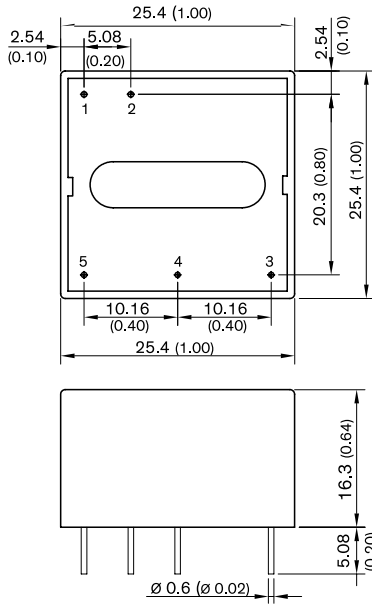


- PCB Power module in 1" x 1" package
- No load input power < 150 mW, to comply with ErP directive
- Operating temperature range -25°C to +70°C
- EMI meets EN 55032, class B
- Protection class II prepared
- 3-year product warranty

| Pin Connections |          |
|-----------------|----------|
| Pin             | Function |
| 1               | AC (N)   |
| 2               | AC (L)   |
| 3               | NC       |
| 4               | -Vout    |
| 5               | +Vout    |

| Model       | Output Voltage nom. | Output Current max. | Output Current peak | Efficiency typ. |
|-------------|---------------------|---------------------|---------------------|-----------------|
| TMPS 03-103 | 3.3 VDC             | 900 mA              | 1170 mA             | 70 %            |
| TMPS 03-105 | 5 VDC               | 600 mA              | 780 mA              | 72 %            |
| TMPS 03-109 | 9 VDC               | 333 mA              | 430 mA              | 77 %            |
| TMPS 03-112 | 12 VDC              | 250 mA              | 320 mA              | 78 %            |
| TMPS 03-115 | 15 VDC              | 200 mA              | 260 mA              | 78 %            |
| TMPS 03-124 | 24 VDC              | 125 mA              | 160 mA              | 78 %            |

**TMPS 05** **5 Watt**



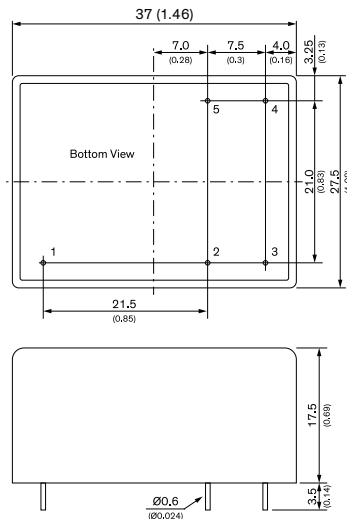
- PCB Power module in 1" x 1" package
- Certified to EN60335-1 for household appliance
- No load input power <300 mW to comply with ErP directive
- Operating temperature range -25°C to +70°C
- EMI meets EN 55032 class B and EN 55014-1
- Protection class II prepared
- 3-year product warranty

| Pin Connections |          |
|-----------------|----------|
| Pin             | Function |
| 1               | AC (N)   |
| 2               | AC (L)   |
| 3               | NC*      |
| 4               | -Vout    |
| 5               | +Vout    |

\* Internally not connected but keep it isolated from primary circuit

| Model       | Output Voltage nom. | Output Current max. | Output Current peak | Efficiency typ. |
|-------------|---------------------|---------------------|---------------------|-----------------|
| TMPS 05-103 | 3.3 VDC             | 1'515 mA            | 1'970 mA            | 74 %            |
| TMPS 05-105 | 5 VDC               | 1'000 mA            | 1'300 mA            | 80 %            |
| TMPS 05-109 | 9 VDC               | 555 mA              | 721 mA              | 82 %            |
| TMPS 05-112 | 12 VDC              | 416 mA              | 540 mA              | 82 %            |
| TMPS 05-115 | 15 VDC              | 333 mA              | 433 mA              | 83 %            |
| TMPS 05-124 | 24 VDC              | 208 mA              | 270 mA              | 83 %            |
| TMPS 05-148 | 48 VDC              | 104 mA              | 135 mA              | 85 %            |

**TMPW 5** **NEW - under development** **5 Watt**



- PCB power module in 1.46" x 1.08" package
- Wide 90-305 VAC input voltage range
- Certified according to EN 60355-1 and IEC/EN/UL 62368-1
- I/O-isolation 4000 VAC
- Operating temperature range: -40° to +70°C
- No load input power <0.1W to comply with ErP directive
- EMI meets EN 55032 class B
- High efficiency up to 89%
- Protection class II prepared
- 3-year product warranty

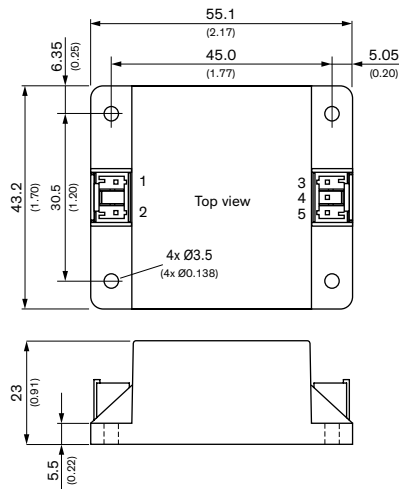
| Pin Connections |        |
|-----------------|--------|
| Pin             | Single |
| 1               | NC     |
| 2               | +Vout  |
| 3               | GND    |
| 4               | AC (L) |
| 5               | AC (N) |

| Model      | Output Voltage nom. | Output Current max. | Efficiency typ. |
|------------|---------------------|---------------------|-----------------|
| TMPW 5-103 | 3.3 VDC             | 1515 mA             | 73 %            |
| TMPW 5-105 | 5 VDC               | 1000 mA             | 77 %            |
| TMPW 5-112 | 12 VDC              | 420 mA              | 81 %            |
| TMPW 5-124 | 24 VDC              | 210 mA              | 83 %            |

TMPW 5-J

**NEW - under development**

5 Watt



- PCB power module in 2.17" x 1.70" package
- Wide 90-305 VAC input voltage range
- Certified according to EN 60355-1 and IEC/EN/UL 62368-1
- I/O-isolation 4000 VAC
- Operating temperature range: -40° to +70°C
- No load input power <0.1W to comply with ErP directive
- EMI meets EN 55032 class B
- High efficiency up to 89%
- Protection class II prepared
- 3-year product warranty

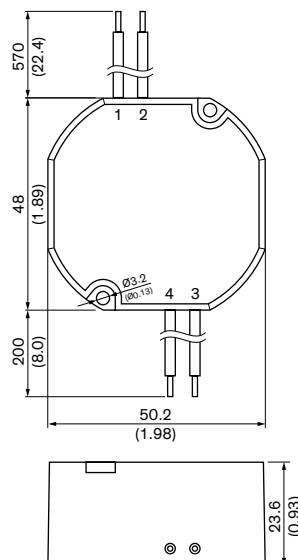
#### Pin Connections

| Pin | Single |
|-----|--------|
| 1   | AC (L) |
| 2   | AC (N) |
| 3   | -Vout  |
| 4   | NC     |
| 5   | +Vout  |

| Model        | Output Voltage nom. | Output Current max. | Efficiency typ. |
|--------------|---------------------|---------------------|-----------------|
| TMPW 5-103-J | 3.3 VDC             | 1515 mA             | 73 %            |
| TMPW 5-105-J | 5 VDC               | 1000 mA             | 77 %            |
| TMPW 5-112-J | 12 VDC              | 420 mA              | 81 %            |
| TMPW 5-124-J | 24 VDC              | 210 mA              | 83 %            |

TIW 6 / TIW 12

6 / 12 Watt



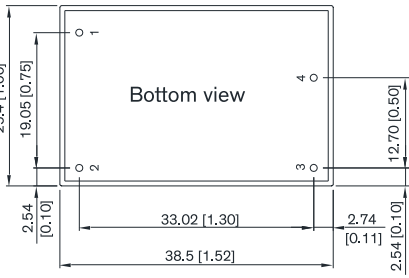
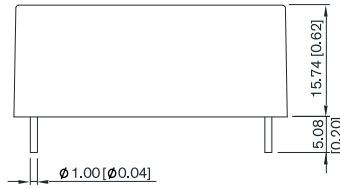
- High efficiency switching power supplies
- Easy installation into standard flush boxes
- Fully encapsulated plastic housing
- Dust and waterproof to IP 67
- Protection class II
- Safety approval to IEC/EN 60950-1, EN 50178, EN 60335-1, UL 1310 class 2
- Approved for mounting onto wood or materials with unknown flammability
- Ready to meet ErP directive
- Universal input range 93 to 264 VAC
- Operating temp. range -25°C to +50°C
- Short circuit and overload protection
- 3-year product warranty

#### Pinout

| Pin | Wire   | Color | Type                      |
|-----|--------|-------|---------------------------|
| 1   | AC (N) | Blue  | 20AWG/0.52mm <sup>2</sup> |
| 2   | AC (L) | Brown | 20AWG/0.52mm <sup>2</sup> |
| 3   | -Vout  | Black | 20AWG/0.52mm <sup>2</sup> |
| 4   | +Vout  | Red   | 20AWG/0.52mm <sup>2</sup> |

| Model      | Output Voltage | Output Current | Efficiency typ. |
|------------|----------------|----------------|-----------------|
| TIW 06-103 | 3.3 VDC        | 1.2 A          | 75 %            |
| TIW 06-105 | 5 VDC          | 1.0 A          | 75 %            |
| TIW 06-106 | 6 VDC          | 1.0 A          | 80 %            |
| TIW 12-112 | 12 VDC         | 1.0 A          | 80 %            |
| TIW 12-115 | 15 VDC         | 0.8 A          | 80 %            |
| TIW 12-124 | 24 VDC         | 0.5 A          | 80 %            |

**TMPS 10** **10 Watt**

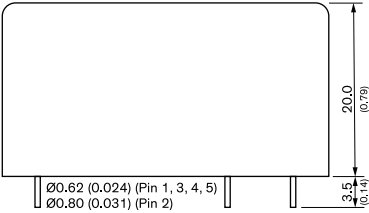
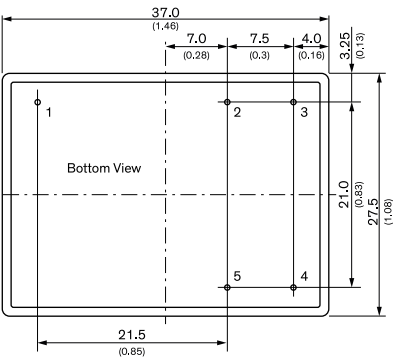


- Ultra Compact 10 Watt PCB Power module in 1" x 1.5" package
- Certified to EN 60335-1 and UL 62368-1 for household and industrial appliance
- Reinforced I/O isolation 4000 VAC
- Operating temperature range -25°C to +70°C
- 130% peak current up to 30 s
- No load input power <0.15 W to comply with ErP directive
- EMI meets EN 55032 class B and EN 55014-1
- Protection class II prepared
- 3-year product warranty

| Pin Connections |          |
|-----------------|----------|
| Pin             | Function |
| 1               | AC (N)   |
| 2               | AC (L)   |
| 3               | -Vout    |
| 4               | +Vout    |

| Model       | Output Voltage nom. | Output Current max. | Output Current peak | Efficiency typ. |
|-------------|---------------------|---------------------|---------------------|-----------------|
| TMPS 10-103 | 3.3 VDC             | 2'600 mA            | 3'380 mA            | 77 %            |
| TMPS 10-105 | 5 VDC               | 2'000 mA            | 2'600 mA            | 80 %            |
| TMPS 10-109 | 9 VDC               | 1'100 mA            | 1'440 mA            | 83 %            |
| TMPS 10-112 | 12 VDC              | 830 mA              | 1'080 mA            | 84 %            |
| TMPS 10-115 | 15 VDC              | 660 mA              | 860 mA              | 84 %            |
| TMPS 10-124 | 24 VDC              | 410 mA              | 530 mA              | 86 %            |
| TMPS 10-148 | 48 VDC              | 210 mA              | 270 mA              | 84 %            |

**TMPW 10** **NEW - under development** **10 Watt**



- PCB power module in 1.46" x 1.08" package
- Wide 90-305 VAC input voltage range
- Certified according to EN 60355-1 and IEC/EN/UL 62368-1
- I/O-isolation 4000 VAC
- Operating temperature range: -40° to +70°C
- No load input power <0.1 W to comply with ErP directive
- EMI meets EN 55032 class B
- High efficiency up to 89%
- Protection class II prepared
- 3-year product warranty

| Pin Connections |        |
|-----------------|--------|
| Pin             | Single |
| 1               | NC     |
| 2               | AC (N) |
| 3               | AC (L) |
| 4               | GND    |
| 5               | +Vout  |

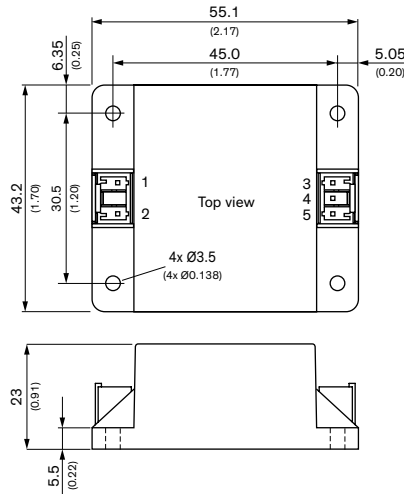
| Model       | Output Voltage nom. | Output Current max. | Efficiency typ. |
|-------------|---------------------|---------------------|-----------------|
| TMPW 10-105 | 5 VDC               | 2000 mA             | 81 %            |
| TMPW 10-112 | 12 VDC              | 833 mA              | 85 %            |
| TMPW 10-115 | 15 VDC              | 667 mA              | 86 %            |
| TMPW 10-124 | 24 VDC              | 417 mA              | 86 %            |



TMPW 10-J

**NEW - under development**

10 Watt



| Model         | Output Voltage nom. | Output Current max. | Efficiency typ. |
|---------------|---------------------|---------------------|-----------------|
| TMPW 10-105-J | 5 VDC               | 2000 mA             | 81 %            |
| TMPW 10-112-J | 12 VDC              | 833 mA              | 85 %            |
| TMPW 10-115-J | 15 VDC              | 667 mA              | 86 %            |
| TMPW 10-124-J | 24 VDC              | 417 mA              | 86 %            |

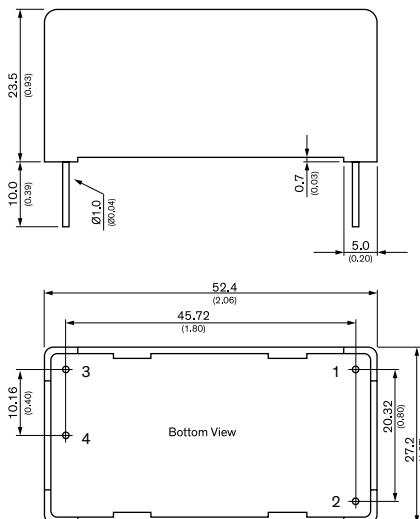
- PCB power module in 2.17" x 1.70" package
- Wide 90-305 VAC input voltage range
- Certified according to EN 60355-1 and IEC/EN/UL 62368-1
- I/O-isolation 4000 VAC
- Operating temperature range: -40° to +70°C
- No load input power <0.1 W to comply with ErP directive
- EMI meets EN 55032 class B
- High efficiency up to 89%
- Protection class II prepared
- 3-year product warranty

| Pin Connections |        |
|-----------------|--------|
| Pin             | Single |
| 1               | AC (L) |
| 2               | AC (N) |
| 3               | -Vout  |
| 4               | NC     |
| 5               | +Vout  |

TMPS 15

**NEW - under development**

15 Watt

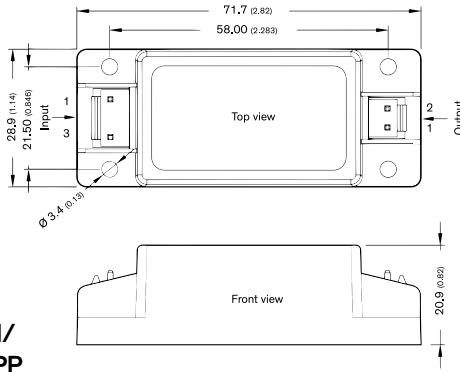


| Model       | Output Voltage nom. | Output Current max. | Output Current peak | Efficiency typ. |
|-------------|---------------------|---------------------|---------------------|-----------------|
| TMPS 15-103 | 3.3 VDC             | 3500 mA             | 4550 mA             | 75 %            |
| TMPS 15-105 | 5 VDC               | 3000 mA             | 3900 mA             | 79 %            |
| TMPS 15-112 | 12 VDC              | 1250 mA             | 1625 mA             | 82 %            |
| TMPS 15-115 | 15 VDC              | 1000 mA             | 1300 mA             | 82 %            |
| TMPS 15-124 | 24 VDC              | 625 mA              | 813 mA              | 84 %            |
| TMPS 15-148 | 48 VDC              | 313 mA              | 407 mA              | 82 %            |

- Ultra Compact 15 Watt PCB Power module in 2.06" x 1.07" package
- Certified to EN 60335-1 and UL 62368-1 for household and industrial appliance
- I/O isolation 3000 VAC
- Operating temperature range -25°C to +70°C
- 130% peak current up to 30 s
- No load input power <0.15 W to comply with ErP directive
- EMI meets EN 55032 class B and EN 55014-1
- Protection class II prepared
- 3-year product warranty

| Pin Connections |          |
|-----------------|----------|
| Pin             | Function |
| 1               | AC (N)   |
| 2               | AC (L)   |
| 3               | +Vout    |
| 4               | -Vout    |

**TPP 15-J** **15 Watt**

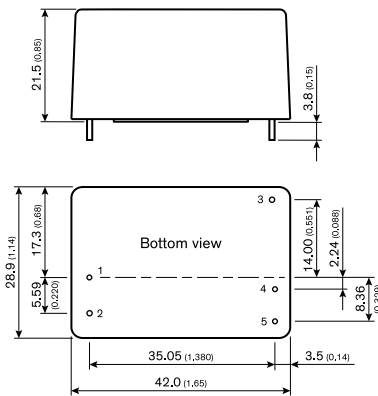


| Model        | Output Voltage nom. | Output Current max. | Efficiency typ. |
|--------------|---------------------|---------------------|-----------------|
| TPP 15-103-J | 3.3 VDC             | 4'000 mA            | 84 %            |
| TPP 15-105-J | 5 VDC               | 3'000 mA            | 86 %            |
| TPP 15-109-J | 9 VDC               | 1'670 mA            | 86 %            |
| TPP 15-112-J | 12 VDC              | 1'250 mA            | 87 %            |
| TPP 15-115-J | 15 VDC              | 1'000 mA            | 87 %            |
| TPP 15-124-J | 24 VDC              | 625 mA              | 88 %            |
| TPP 15-136-J | 36 VDC              | 417 mA              | 88 %            |
| TPP 15-148-J | 48 VDC              | 313 mA              | 89 %            |

- High power density power supply (encapsulated)
- Certification according to IEC/EN/ES 60601-1 3rd edition for 2 x MOPP
- Low leakage current <75 µA rated for BF applications
- EMC compliance to IEC 60601-1-2 4th edition
- Risk management process according to ISO 14971 incl. risk management file
- Acceptance criteria for electronic assemblies acc. to IPC-A-610 Level 3
- Protection class II
- Operating up to 5000 m altitude
- Ready to meet ErP directive, no load power consumption <75 mW
- 5-year product warranty

| Pin Connectors |          |        |          |
|----------------|----------|--------|----------|
| Input          |          | Output |          |
| Pin            | Function | Pin    | Function |
| 1              | Line     | 1      | -Vout    |
| 3              | Neutral  | 2      | +Vout    |

**TPP 15-D** **15 Watt**



| Model        | Output Voltage nom. * | *adjustable     | Output Current max. | Efficiency typ. |
|--------------|-----------------------|-----------------|---------------------|-----------------|
| TPP 15-103-D | 3.3 VDC               | 2.97 - 3.63 VDC | 4'000 mA            | 84 %            |
| TPP 15-105-D | 5 VDC                 | 4.5 - 5.5 VDC   | 3'000 mA            | 86 %            |
| TPP 15-109-D | 9 VDC                 | 8.1 - 9.9 VDC   | 1'670 mA            | 86 %            |
| TPP 15-112-D | 12 VDC                | 10.8 - 13.2 VDC | 1'250 mA            | 87 %            |
| TPP 15-115-D | 15 VDC                | 13.5 - 16.5 VDC | 1'000 mA            | 87 %            |
| TPP 15-124-D | 24 VDC                | 21.6 - 26.4 VDC | 625 mA              | 88 %            |
| TPP 15-136-D | 36 VDC                | 32.4 - 39.6 VDC | 417 mA              | 88 %            |
| TPP 15-148-D | 48 VDC                | 43.2 - 52.8 VDC | 313 mA              | 89 %            |

- High power density power supply (encapsulated)
- Certification according to IEC/EN/ES 60601-1 3rd edition for 2 x MOPP
- Low leakage current <75 µA rated for BF applications
- EMC compliance to IEC 60601-1-2 4th edition
- Risk management process according to ISO 14971 incl. risk management file
- Acceptance criteria for electronic assemblies acc. to IPC-A-610 Level 3
- Protection class II
- Operating up to 5000 m altitude
- Ready to meet ErP directive, no load power consumption <75 mW
- 5-year product warranty

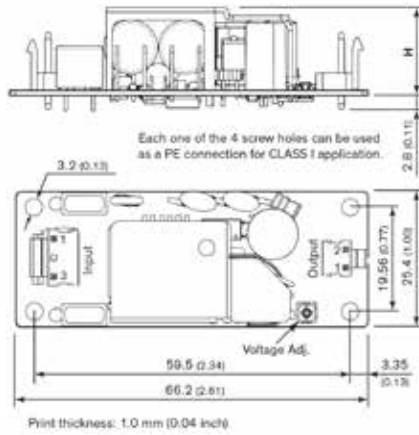
| Pin Connections |          |
|-----------------|----------|
| Pin             | Function |
| 1               | Neutral  |
| 2               | Line     |
| 3               | Trim     |
| 4               | -Vout    |
| 5               | +Vout    |

TPP 15A-J

15 Watt



H = 16.3 (0.64) for 3.3, 5 and 9 VDC models - with heatsink  
 H = 15.7 (0.62) for 12, 15, 24, 36 and 48 VDC models - without heatsink



- High power density power supply (open frame)
- Certification according to IEC/EN/ES 60601-1 3rd edition for 2 x MOPP
- Low leakage current <75 µA rated for BF applications
- EMC compliance to IEC 60601-1-2 4th edition
- Risk management process according to ISO 14971 incl. risk management file
- Acceptance criteria for electronic assemblies acc. to IPC-A-610 Level 3
- Protection class I and II
- Operating up to 5000 m altitude
- Ready to meet ErP directive, no load power consumption <75 mW
- 5-year product warranty

| Pin Connectors |          |        |          |
|----------------|----------|--------|----------|
| Input          |          | Output |          |
| Pin            | Function | Pin    | Function |
| 1              | Line     | 1      | -Vout    |
| 3              | Neutral  | 2      | +Vout    |

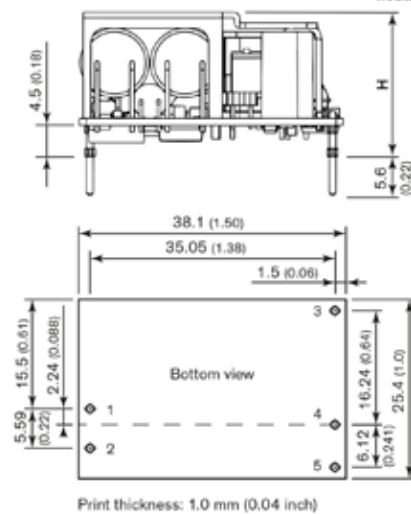
| Model         | Output Voltage nom. (adjustable) | Output Current max. | Efficiency typ. |
|---------------|----------------------------------|---------------------|-----------------|
| TPP 15-103A-J | 3.3 VDC (2.97 - 3.63 VDC)        | 4'000 mA            | 84 %            |
| TPP 15-105A-J | 5 VDC (4.5 - 5.5 VDC)            | 3'000 mA            | 86 %            |
| TPP 15-109A-J | 9 VDC (8.1 - 9.9 VDC)            | 1'670 mA            | 86 %            |
| TPP 15-112A-J | 12 VDC (10.8 - 13.2 VDC)         | 1'250 mA            | 87 %            |
| TPP 15-115A-J | 15 VDC (13.5 - 16.5 VDC)         | 1'000 mA            | 87 %            |
| TPP 15-124A-J | 24 VDC (21.6 - 26.4 VDC)         | 625 mA              | 88 %            |
| TPP 15-136A-J | 36 VDC (32.4 - 39.6 VDC)         | 417 mA              | 88 %            |
| TPP 15-148A-J | 48 VDC (43.2 - 52.8 VDC)         | 313 mA              | 89 %            |

TPP 15A-D

15 Watt



H = 20.8 (0.82) for 3.3, 5 and 9 VDC models - with heatsink  
 H = 20.2 (0.80) for 12, 15, 24, 36 and 48 VDC models - without heatsink



- High power density power supply (open frame)
- Certification according to IEC/EN/ES 60601-1 3rd edition for 2 x MOPP
- Low leakage current <75 µA rated for BF applications
- EMC compliance to IEC 60601-1-2 4th edition
- Risk management process according to ISO 14971 incl. risk management file
- Acceptance criteria for electronic assemblies acc. to IPC-A-610 Level 3
- Protection class II
- Operating up to 5000 m altitude
- Ready to meet ErP directive, no load power consumption <75 mW
- 5-year product warranty

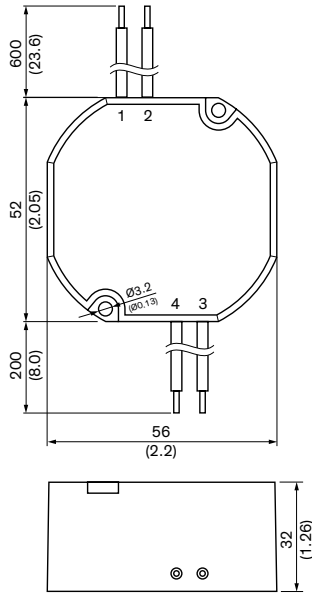
| PCB Pinout |          |
|------------|----------|
| Pin        | Function |
| 1          | Neutral  |
| 2          | Line     |
| 3          | Trim     |
| 4          | -Vout    |
| 5          | +Vout    |

| Model         | Output Voltage nom. (adjustable) | Output Current max. | Efficiency typ. |
|---------------|----------------------------------|---------------------|-----------------|
| TPP 15-103A-D | 3.3 VDC (2.97 - 3.63 VDC)        | 4'000 mA            | 84 %            |
| TPP 15-105A-D | 5 VDC (4.5 - 5.5 VDC)            | 3'000 mA            | 86 %            |
| TPP 15-109A-D | 9 VDC (8.1 - 9.9 VDC)            | 1'670 mA            | 86 %            |
| TPP 15-112A-D | 12 VDC (10.8 - 13.2 VDC)         | 1'250 mA            | 87 %            |
| TPP 15-115A-D | 15 VDC (13.5 - 16.5 VDC)         | 1'000 mA            | 87 %            |
| TPP 15-124A-D | 24 VDC (21.6 - 26.4 VDC)         | 625 mA              | 88 %            |
| TPP 15-136A-D | 36 VDC (32.4 - 39.6 VDC)         | 417 mA              | 88 %            |
| TPP 15-148A-D | 48 VDC (43.2 - 52.8 VDC)         | 313 mA              | 89 %            |

**TIW 24** **24 Watt**



- High efficiency switching power supplies
- Easy installation into standard flush boxes
- Fully encapsulated plastic housing
- Dust and waterproof to IP 67
- Protection class II
- Safety approval to IEC/EN 60950-1 EN 50178, EN 60335-1, UL 1310 class 2
- Approved for mounting onto wood or materials with unknown flammability
- Ready to meet ErP directive
- Universal input range 93 to 264 VAC
- Operating temp. range -25°C to +50°C
- Short circuit and overload protection
- 3-year product warranty



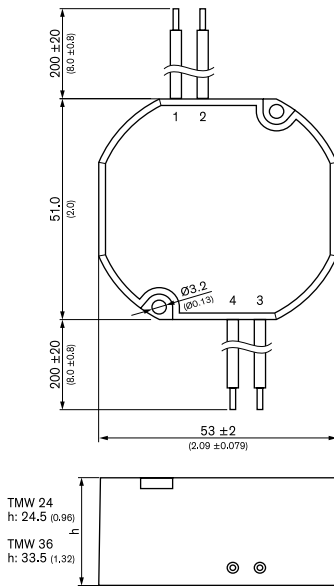
| Pinout |        |       |                           |
|--------|--------|-------|---------------------------|
| Pin    | Wire   | Color | Type                      |
| 1      | AC (N) | Blue  | 20AWG/0.52mm <sup>2</sup> |
| 2      | AC (L) | Brown | 20AWG/0.52mm <sup>2</sup> |
| 3      | -Vout  | Black | 20AWG/0.52mm <sup>2</sup> |
| 4      | +Vout  | Red   | 20AWG/0.52mm <sup>2</sup> |

| Model      | Output Voltage | Output Current | Efficiency typ. |
|------------|----------------|----------------|-----------------|
| TIW 24-112 | 12 VDC         | 2.0 A          | 83 %            |
| TIW 24-124 | 24 VDC         | 1.0 A          | 85 %            |

**TMW 24** **NEW - under development** **24 Watt**



- Fully encapsulated power supplies in IP68 casing with flying leads
- Certification according to IEC/EN/ES 60601-1 3rd edition for 2xMOPP
- Risk management process according to ISO 14971 including risk management file
- Effortless flush box mounting
- Fire safety for furniture
- Low leakage current <100 µA rated for BF applications
- Operating temperature range: -20°C to +80°C max.
- Protection against short-circuit, over load and over voltage
- Protection class II prepared
- 5 year product warranty



TMW 24  
h: 24.5 (0.96)  
TMW 36  
h: 33.5 (1.32)

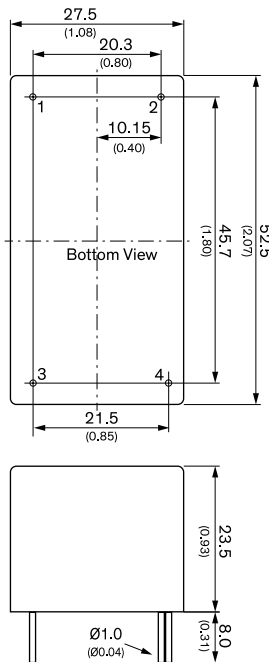
| Pinout / Conecction |            |       |                           |
|---------------------|------------|-------|---------------------------|
| Pin                 | Wire       | Color | Type                      |
| 1                   | Vac IN (N) | Blue  | 20AWG/0.52mm <sup>2</sup> |
| 2                   | Vac IN (L) | Brown | 20AWG/0.52mm <sup>2</sup> |
| 3                   | -Vout      | Black | 20AWG/0.52mm <sup>2</sup> |
| 4                   | +Vout      | Red   | 20AWG/0.52mm <sup>2</sup> |

| Model      | Output Voltage nom. | Output Current max. | Efficiency typ. |
|------------|---------------------|---------------------|-----------------|
| TMW 24-105 | 5 VDC               | 4000 mA             | 85 %            |
| TMW 24-112 | 12 VDC              | 2000 mA             | 85 %            |
| TMW 24-124 | 24 VDC              | 1000 mA             | 90 %            |

TMPW 25

**NEW - under development**

25 Watt



| Model       | Output Voltage nom. | Output Current max. | Efficiency typ. |
|-------------|---------------------|---------------------|-----------------|
| TMPW 25-105 | 5.1 VDC             | 3922 mA             | 84 %            |
| TMPW 25-112 | 12 VDC              | 2083 mA             | 88 %            |
| TMPW 25-115 | 15 VDC              | 1666 mA             | 88 %            |
| TMPW 25-124 | 24 VDC              | 1042 mA             | 87 %            |

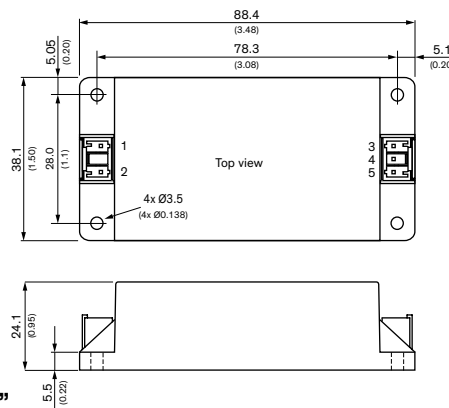
- PCB power module in 2.07" x 1.08" package
- Wide 90-305 VAC input voltage range
- Certified according to EN 60355-1 and IEC/EN/UL 62368-1
- I/O-isolation 4000 VAC
- Operating temperature range: -40° to +70°C
- No load input power <0.1W to comply with ErP directive
- EMI meets EN 55032 class B
- High efficiency up to 89%
- Protection class II prepared
- 3-year product warranty

| Pin Connections |          |
|-----------------|----------|
| Pin             | Function |
| 1               | AC (L)   |
| 2               | AC (N)   |
| 3               | +Vout    |
| 4               | -Vout    |

TMPW 25-J

**NEW - under development**

25 Watt

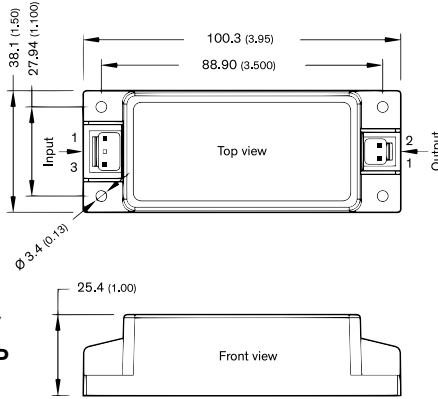


| Model         | Output Voltage nom. | Output Current max. | Efficiency typ. |
|---------------|---------------------|---------------------|-----------------|
| TMPW 25-105-J | 5.1 VDC             | 3922 mA             | 84 %            |
| TMPW 25-112-J | 12 VDC              | 2083 mA             | 88 %            |
| TMPW 25-115-J | 15 VDC              | 1666 mA             | 88 %            |
| TMPW 25-124-J | 24 VDC              | 1042 mA             | 87 %            |

- PCB power module in 3.48" x 1.50" package
- Wide 90-305 VAC input voltage range
- Certified according to EN 60355-1 and IEC/EN/UL 62368-1
- I/O-isolation 4000 VAC
- Operating temperature range: -40° to +70°C
- No load input power <0.1W to comply with ErP directive
- EMI meets EN 55032 class B
- High efficiency up to 89%
- Protection class II prepared
- 3-year product warranty

| Pin Connections |        |
|-----------------|--------|
| Pin             | Single |
| 1               | AC (L) |
| 2               | AC (N) |
| 3               | -Vout  |
| 4               | NC     |
| 5               | +Vout  |

**TPP 30-J** **30 Watt**

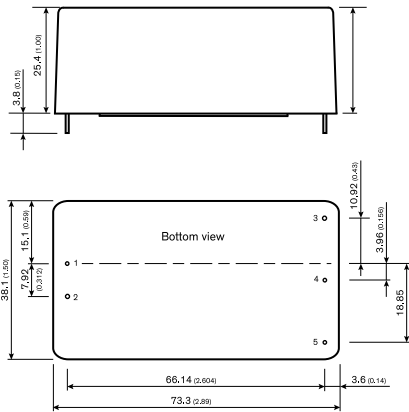


- High power density power supply (encapsulated)
- Certification according to IEC/EN/ES 60601-1 3rd edition for 2 x MOPP
- Low leakage current <75  $\mu$ A rated for BF applications
- EMC compliance to IEC 60601-1-2 4th edition
- Risk management process according to ISO 14971 incl. risk management file
- Acceptance criteria for electronic assemblies acc. to IPC-A-610 Level 3
- Protection class II
- Operating up to 5000 m altitude
- Ready to meet ErP directive, no load power consumption <60 mW
- 5-year product warranty

| Pin Connectors |          |        |          |
|----------------|----------|--------|----------|
| Input          |          | Output |          |
| Pin            | Function | Pin    | Function |
| 1              | Line     | 1      | +Vout    |
| 3              | Neutral  | 2      | -Vout    |

| Model        | Output Voltage nom. (adjustable) | Output Current max. | Efficiency typ. |
|--------------|----------------------------------|---------------------|-----------------|
| TPP 30-103-J | 3.3 VDC (2.97 - 3.63 VDC)        | 6'000 mA            | 84 %            |
| TPP 30-105-J | 5 VDC (4.5 - 5.5 VDC)            | 6'000 mA            | 87 %            |
| TPP 30-109-J | 9 VDC (8.1 - 9.9 VDC)            | 3'340 mA            | 88 %            |
| TPP 30-112-J | 12 VDC (10.8 - 13.2 VDC)         | 2'500 mA            | 91 %            |
| TPP 30-115-J | 15 VDC (13.5 - 16.5 VDC)         | 2'000 mA            | 91 %            |
| TPP 30-124-J | 24 VDC (21.6 - 26.4 VDC)         | 1'250 mA            | 90 %            |
| TPP 30-136-J | 36 VDC (32.4 - 39.6 VDC)         | 840 mA              | 90 %            |
| TPP 30-148-J | 48 VDC (43.2 - 52.8 VDC)         | 630 mA              | 92 %            |

**TPP 30-D** **30 Watt**



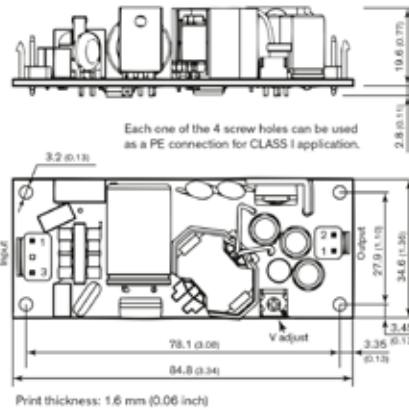
- High power density power supply (encapsulated)
- Certification according to IEC/EN/ES 60601-1 3rd edition for 2 x MOPP
- Low leakage current <75  $\mu$ A rated for BF applications
- EMC compliance to IEC 60601-1-2 4th edition
- Risk management process according to ISO 14971 incl. risk management file
- Acceptance criteria for electronic assemblies acc. to IPC-A-610 Level 3
- Protection class II
- Operating up to 5000 m altitude
- Ready to meet ErP directive, no load power consumption <60 mW
- 5-year product warranty

| PCB Pinout |          |
|------------|----------|
| Pin        | Function |
| 1          | Neutral  |
| 2          | Line     |
| 3          | +Vout    |
| 4          | -Vout    |
| 5          | Trim     |

| Model        | Output Voltage nom. (adjustable) | Output Current max. | Efficiency typ. |
|--------------|----------------------------------|---------------------|-----------------|
| TPP 30-103-D | 3.3 VDC (2.97 - 3.63 VDC)        | 6'000 mA            | 84 %            |
| TPP 30-105-D | 5 VDC (4.5 - 5.5 VDC)            | 6'000 mA            | 87 %            |
| TPP 30-109-D | 9 VDC (8.1 - 9.9 VDC)            | 3'340 mA            | 88 %            |
| TPP 30-112-D | 12 VDC (10.8 - 13.2 VDC)         | 2'500 mA            | 91 %            |
| TPP 30-115-D | 15 VDC (13.5 - 16.5 VDC)         | 2'000 mA            | 91 %            |
| TPP 30-124-D | 24 VDC (21.6 - 26.4 VDC)         | 1'250 mA            | 90 %            |
| TPP 30-136-D | 36 VDC (32.4 - 39.6 VDC)         | 840 mA              | 90 %            |
| TPP 30-148-D | 48 VDC (43.2 - 52.8 VDC)         | 630 mA              | 92 %            |

TPP 30A-J

30 Watt



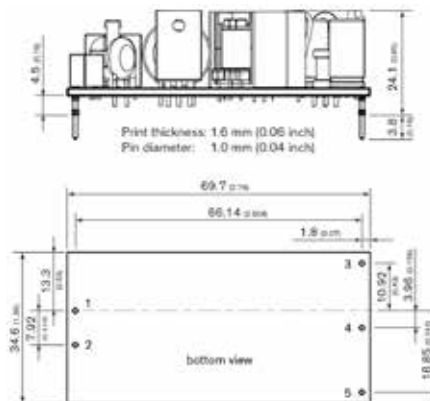
- High power density power supply (open frame)
- Certification according to IEC/EN/ES 60601-1 3rd edition for 2 x MOPP
- Low leakage current <75 µA rated for BF applications
- EMC compliance to IEC 60601-1-2 4th edition
- Risk management process according to ISO 14971 risk management file
- Acceptance criteria for electronic assemblies acc. to IPC-A-610 Level 3
- Protection class I and II
- Operating up to 5000 m altitude
- Ready to meet ErP directive, no load power consumption <60 mW
- 5-year product warranty

| Model         | Output Voltage nom. (adjustable) | Output Current max. | Efficiency typ. |
|---------------|----------------------------------|---------------------|-----------------|
| TPP 30-103A-J | 3.3 VDC (2.97 - 3.63 VDC)        | 6'000 mA            | 84 %            |
| TPP 30-105A-J | 5 VDC (4.5 - 5.5 VDC)            | 6'000 mA            | 87 %            |
| TPP 30-109A-J | 9 VDC (8.1 - 9.9 VDC)            | 3'340 mA            | 88 %            |
| TPP 30-112A-J | 12 VDC (10.8 - 13.2 VDC)         | 2'500 mA            | 91 %            |
| TPP 30-115A-J | 15 VDC (13.5 - 16.5 VDC)         | 2'000 mA            | 91 %            |
| TPP 30-124A-J | 24 VDC (21.6 - 26.4 VDC)         | 1'250 mA            | 90 %            |
| TPP 30-136A-J | 36 VDC (32.4 - 39.6 VDC)         | 840 mA              | 90 %            |
| TPP 30-148A-J | 48 VDC (43.2 - 52.8 VDC)         | 630 mA              | 92 %            |

| Pin Connectors |          |        |          |
|----------------|----------|--------|----------|
| Input          |          | Output |          |
| Pin            | Function | Pin    | Function |
| 1              | Line     | 1      | +Vout    |
| 3              | Neutral  | 2      | -Vout    |

TPP 30A-D

30 Watt

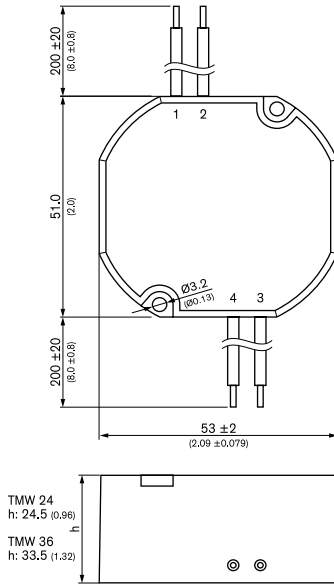


- High power density power supply (open frame)
- Certification according to IEC/EN/ES 60601-1 3rd edition for 2 x MOPP
- Low leakage current <75 µA rated for BF applications
- EMC compliance to IEC 60601-1-2 4th edition
- Risk management process according to ISO 14971 risk management file
- Acceptance criteria for electronic assemblies acc. to IPC-A-610 Level 3
- Protection class II
- Operating up to 5000 m altitude
- Ready to meet ErP directive, no load power consumption <60 mW
- 5-year product warranty

| Model         | Output Voltage nom. (adjustable) | Output Current max. | Efficiency typ. |
|---------------|----------------------------------|---------------------|-----------------|
| TPP 30-103A-D | 3.3 VDC (2.97 - 3.63 VDC)        | 6'000 mA            | 84 %            |
| TPP 30-105A-D | 5 VDC (4.5 - 5.5 VDC)            | 6'000 mA            | 87 %            |
| TPP 30-109A-D | 9 VDC (8.1 - 9.9 VDC)            | 3'340 mA            | 88 %            |
| TPP 30-112A-D | 12 VDC (10.8 - 13.2 VDC)         | 2'500 mA            | 91 %            |
| TPP 30-115A-D | 15 VDC (13.5 - 16.5 VDC)         | 2'000 mA            | 91 %            |
| TPP 30-124A-D | 24 VDC (21.6 - 26.4 VDC)         | 1'250 mA            | 90 %            |
| TPP 30-136A-D | 36 VDC (32.4 - 39.6 VDC)         | 840 mA              | 90 %            |
| TPP 30-148A-D | 48 VDC (43.2 - 52.8 VDC)         | 630 mA              | 92 %            |

| PCB Pinout |          |
|------------|----------|
| Pin        | Function |
| 1          | Neutral  |
| 2          | Line     |
| 3          | +Vout    |
| 4          | -Vout    |
| 5          | Trim     |

**TMW 36** **NEW - under development** **36 Watt**

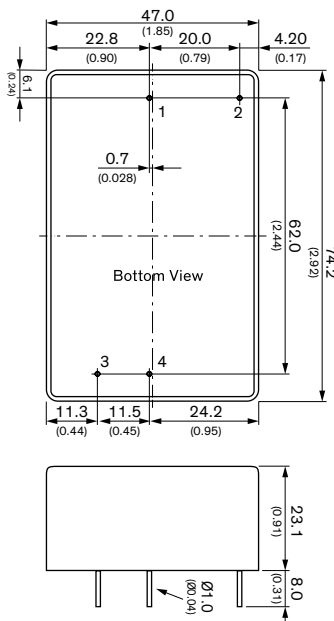


- Fully encapsulated power supplies in IP68 casing with flying leads
- Certification according to IEC/EN/ES 60601-1 3rd edition for 2xMOPP
- Risk management process according to ISO 14971 including risk management file
- Effortless flush box mounting
- Fire safety for furniture
- Low leakage current <100 µA rated for BF applications
- Operating temperature range: -20°C to +80°C max.
- Protection against short-circuit, over load and over voltage
- Protection class II prepared
- 5 year product warranty

| Pinout / Connection |            |       |                           |
|---------------------|------------|-------|---------------------------|
| Pin                 | Wire       | Color | Type                      |
| 1                   | Vac IN (N) | Blue  | 20AWG/0.52mm <sup>2</sup> |
| 2                   | Vac IN (L) | Brown | 20AWG/0.52mm <sup>2</sup> |
| 3                   | -Vout      | Black | 20AWG/0.52mm <sup>2</sup> |
| 4                   | +Vout      | Red   | 20AWG/0.52mm <sup>2</sup> |

| Model      | Output Voltage nom. | Output Current max. | Efficiency typ. |
|------------|---------------------|---------------------|-----------------|
| TMW 36-112 | 12 VDC              | 3.0 A               | 87 %            |
| TMW 36-124 | 24 VDC              | 1.5 A               | 88 %            |

**TMPW 50** **NEW - under development** **50 Watt**



- PCB power module in 2.92" x 1.85" package
- Wide 90-305 VAC input voltage range
- Certified according to EN 60355-1 and IEC/EN/UL 62368-1
- I/O-isolation 4000 VAC
- Operating temperature range: -40° to +70°C
- No load input power <0.1W to comply with ErP directive
- EMI meets EN 55032 class B
- High efficiency up to 89%
- Protection class II prepared
- 3-year product warranty

| Pin Connections |        |
|-----------------|--------|
| Pin             | Single |
| 1               | AC (N) |
| 2               | AC (L) |
| 3               | -Vout  |
| 4               | +Vout  |

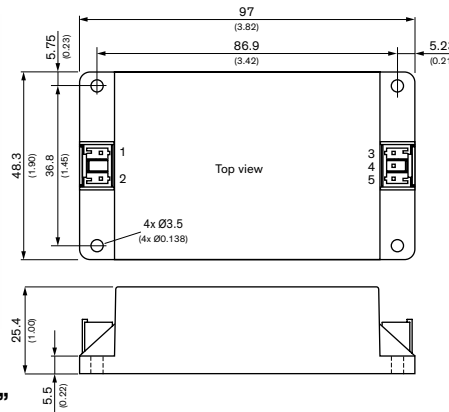
| Model       | Output Voltage nom. | Output Current max. | Efficiency typ. |
|-------------|---------------------|---------------------|-----------------|
| TMPW 50-112 | 12 VDC              | 4167 mA             | 89 %            |
| TMPW 50-115 | 15 VDC              | 3333 mA             | 88 %            |
| TMPW 50-124 | 24 VDC              | 2083 mA             | 88 %            |



TMPW 50-J

**NEW - under development**

50 Watt

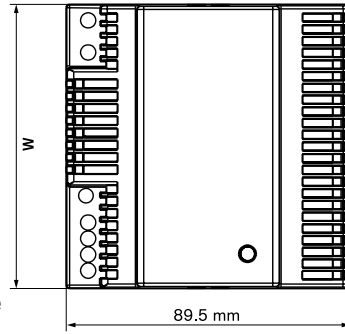
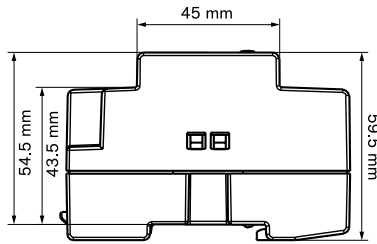


| Model         | Output Voltage nom. | Output Current max. | Efficiency typ. |
|---------------|---------------------|---------------------|-----------------|
| TMPW 50-112-J | 12 VDC              | 4167 mA             | 89 %            |
| TMPW 50-115-J | 15 VDC              | 3333 mA             | 88 %            |
| TMPW 50-124-J | 24 VDC              | 2083 mA             | 88 %            |

- PCB power module in 3.92" x 1.90" package
- Wide 90-305 VAC input voltage range
- Certified according to EN 60355-1 and IEC/EN/UL 62368-1
- I/O-isolation 4000 VAC
- Operating temperature range: -40° to +70°C
- No load input power <0.1W to comply with ErP directive
- EMI meets EN 55032 class B
- High efficiency up to 89%
- Protection class II prepared
- 3-year product warranty

| Pin Connections |        |
|-----------------|--------|
| Pin             | Single |
| 1               | AC (N) |
| 2               | AC (L) |
| 3               | -Vout  |
| 4               | NC     |
| 5               | +Vout  |

**TBLC** **6–90 Watt**



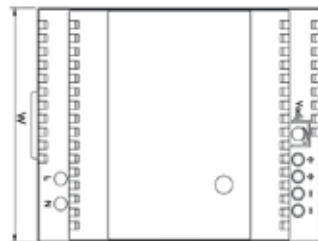
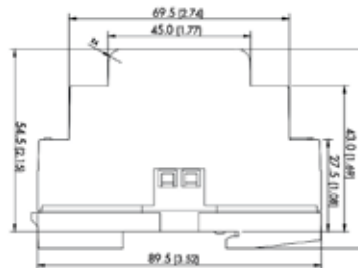
- Low profile, module depth only 55mm
- Suitable for mounting in domestic installation panels
- Very high efficiency and low standby power -> compliance to ECO-Standard
- High power density
- Low output ripples and spikes
- For distributed power
- UL 1310 class II, NEC class 2 compliance
- UL 508 listed
- Universal input range 85 to 264 VAC
- Operating temperature range: -25°C to +70°C
- Adjustable output voltage
- Short circuit and overload protection
- DC-OK indicator LED
- 3-year product warranty

| Dimension Table |           | Weight |
|-----------------|-----------|--------|
| Model           | Width [W] | [g]    |
| TBLC 06         | 18 mm     | 60     |
| TBLC 15         | 27 mm     | 80     |
| TBLC 25         | 36 mm     | 110    |
| TBLC 50         | 54 mm     | 180    |
| TBLC 75         | 72 mm     | 220    |
| TBLC 90         | 90 mm     | 280    |

| Model       | Output Power (max.) | Output Voltage* (nom.)(adjust.) | Output Current (max.) | Efficiency (typ.) |
|-------------|---------------------|---------------------------------|-----------------------|-------------------|
| TBLC 06-105 | 6 W                 | 5.0VDC                          | 1.2 A                 | 74 %              |
| TBLC 06-112 | 6 W                 | 12 VDC                          | 0.5 A                 | 81 %              |
| TBLC 06-124 | 6 W                 | 24 VDC                          | 0.25 A                | 79 %              |
| TBLC 15-105 | 12 W                | 5.0VDC                          | 2.4 A                 | 81 %              |
| TBLC 15-112 | 15 W                | 12 VDC                          | 1.25 A                | 85 %              |
| TBLC 15-124 | 15 W                | 24 VDC                          | 0.63 A                | 85 %              |
| TBLC 25-105 | 20 W                | 5.0VDC                          | 4.0 A                 | 82 %              |
| TBLC 25-112 | 24 W                | 12 VDC                          | 2.0 A                 | 86 %              |
| TBLC 25-124 | 25 W                | 24 VDC                          | 1.05 A                | 87 %              |
| TBLC 50-112 | 48 W                | 12 VDC                          | 4.0 A                 | 88 %              |
| TBLC 50-124 | 50 W                | 24 VDC                          | 2.1 A                 | 89 %              |
| TBLC 75-112 | 72 W                | 12 VDC                          | 6.0 A                 | 89 %              |
| TBLC 75-124 | 75 W                | 24 VDC                          | 3.1 A                 | 89 %              |
| TBLC 90-112 | 90 W                | 12 VDC                          | 7.5 A                 | 90 %              |
| TBLC 90-124 | 90 W                | 24 VDC                          | 3.75 A                | 90 %              |

\* Output voltage can be adjusted as indicated. However, output power has to be maintained at nominal value. This means the output nominal current has to be reduced in accordance with the increase of output voltage.

**TBL** **15–150 Watt**



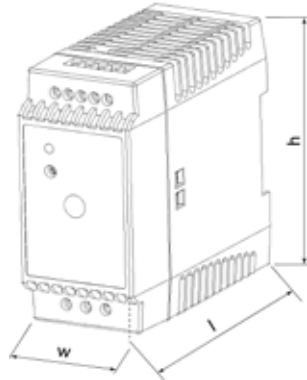
- Low profile, module depth only 55mm
- Fits into flat control panels used in building automation
- Safety class II product
- UL 1310 class II, NEC class 2 compliance (models up to 90 W)
- UL 508 listed
- Universal input range 85 to 264 VAC (auto range for 150 Watt models)
- Operating temperature range: -25°C to +70°C max.
- Adjustable output voltage
- Short circuit and overload protection
- DC-OK indicator
- Easy snap-on mounting on DIN-rail or with wall mounting bracket (included)
- 3-year product warranty

| Dimension Table |           | Weight |
|-----------------|-----------|--------|
| Model           | Width [W] | [g]    |
| TBL 015         | 26.3 mm   | 100    |
| TBL 030         | 52.5 mm   | 160    |
| TBL 060         | 70.0 mm   | 230    |
| TBL 090         | 105 mm    | 340    |
| TBL 150         | 175 mm    | 625    |

| Model       | Output Power (max.) | Output Voltage* (nom.)(adjust.) | Output Current (max.) | Efficiency (typ.) |
|-------------|---------------------|---------------------------------|-----------------------|-------------------|
| TBL 015-105 | 12 W                | 5.0 VDC                         | 2.4 A                 | 73 %              |
| TBL 015-112 | 15 W                | 12 VDC                          | 1.25 A                | 79 %              |
| TBL 015-124 | 15 W                | 24 VDC                          | 0.63 A                | 81 %              |
| TBL 030-112 | 30 W                | 12 VDC                          | 2.5 A                 | 81 %              |
| TBL 030-124 | 30 W                | 24 VDC                          | 1.25 A                | 83 %              |
| TBL 060-112 | 54 W                | 12 VDC                          | 4.5 A                 | 83 %              |
| TBL 060-124 | 60 W                | 24 VDC                          | 2.5 A                 | 85 %              |
| TBL 090-112 | 72 W                | 12 VDC                          | 6.0 A                 | 84 %              |
| TBL 090-124 | 90 W                | 24 VDC                          | 3.75 A                | 86 %              |
| TBL 150-112 | 120 W               | 12 VDC                          | 10 A                  | 84 %              |
| TBL 150-124 | 150 W               | 24 VDC                          | 6.25 A                | 87 %              |

TPC

30–120 Watt



- For industrial, office and residential environments
- Meets European ErP directive (green mode), <0.3 W no load power consumption
- High efficiency across full load range
- Reliable snap-on mounting on DIN-rails or with wall mounting bracket (not included)
- Universal input 85–264 VAC, 47–63 Hz
- Output voltage adjustable
- Power good signal
- Low ripple and noise
- Overload and short-circuit protection
- Optional module for parallel and redundant operation
- 3-year product warranty

| Dimension Table |           |           |           |
|-----------------|-----------|-----------|-----------|
| Model           | Width [W] | Length[L] | Height[h] |
| TPC 30          | 26.5 mm   | 96.5 mm   | 90 mm     |
| TPC 55          | 45 mm     | 96.5 mm   | 90 mm     |
| TPC 80          | 63 mm     | 96.5 mm   | 90 mm     |
| TPC 120         | 72 mm     | 96.5 mm   | 90 mm     |

| Model       | Input Voltage Ranges                      | Output Power max. | Output Voltage nom./ adj. range | Output Current (max.) |
|-------------|-------------------------------------------|-------------------|---------------------------------|-----------------------|
| TPC 030–105 | 85–264 VAC<br>Universal Input<br>47/63 Hz | 20 W              | 5.0 VDC / 5.0–6.0 VDC           | 4.0 A                 |
| TPC 030–112 |                                           | 26 W              | 12 VDC / 12–15 VDC              | 2.2 A                 |
| TPC 030–124 |                                           | 30 W              | 24 VDC / 24–28.8 VDC            | 1.25 A                |
| TPC 030–148 |                                           | 30 W              | 48 VDC / 48–56 VDC              | 0.6 A                 |
| TPC 055–112 | 90–375 VDC                                | 42 W              | 12 VDC / 12–15 VDC              | 3.5 A                 |
| TPC 055–124 |                                           | 55 W              | 24 VDC / 24–28.8 VDC            | 2.3 A                 |
| TPC 055–148 |                                           | 55 W              | 48 VDC / 48–56 VDC              | 1.15 A                |
| TPC 080–112 | 90–375 VDC                                | 72 W              | 12 VDC / 12–15 VDC              | 6.0 A                 |
| TPC 080–124 |                                           | 80 W              | 24 VDC / 24–28.8 VDC            | 3.3 A                 |
| TPC 080–148 |                                           | 80 W              | 48 VDC / 48–56 VDC              | 1.7 A                 |
| TPC 120–112 | 90–375 VDC                                | 96 W              | 12 VDC / 12–15 VDC              | 8.0 A                 |
| TPC 120–124 |                                           | 120 W             | 24 VDC / 24–28.8 VDC            | 5.0 A                 |
| TPC 120–148 |                                           | 120 W             | 48 VDC / 48–56 VDC              | 2.5 A                 |

TCL

24–240 Watt

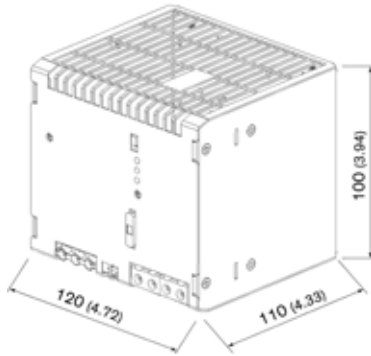


- For industrial, office and residential applications
- Ultracompact plastic housing
- Connection by spring clamp terminals or detachable screw terminal block
- Reliable snap-on mounting on DIN-rails
- Adaptor for wall mounting
- Universal input 85–264 VAC, 50/60 Hz
- Models with 5, 12, 24 & 48 VDC output
- Output voltage adjustable
- Power OK signal
- Low ripple and noise
- Overload and short-circuit protection
- Parallel operation possible
- Worldwide safety approvals
- Redundancy module
- 3-year product warranty

| Dimension Table |           |           |           |
|-----------------|-----------|-----------|-----------|
| Model           | Width [W] | Length[L] | Height[h] |
| TCL 024         | 27 mm     | 100 mm    | 75 mm     |
| TCL 60          | 45 mm     | 100 mm    | 75 mm     |
| TCL 120         | 85 mm     | 100 mm    | 75 mm     |
| TCL 240         | 85 mm     | 125 mm    | 110 mm    |

| Model        | Input Voltage Ranges                        | Output Power max. | Output Voltage nom. | Output Current (max.) | Connection                       |
|--------------|---------------------------------------------|-------------------|---------------------|-----------------------|----------------------------------|
| TCL 024–105  | 85 – 264 VAC<br>Universal Input<br>50/60 Hz | 20 W              | 5 VDC               | 4.0 A                 | Detachable screw terminal blocks |
| TCL 024–112  |                                             | 24 W              | 12VDC               | 2.0 A                 |                                  |
| TCL 024–124  |                                             | 24 W              | 24 VDC              | 1.0 A                 |                                  |
| TCL 060–112  |                                             | 60 W              | 12 VDC              | 4.0 A                 |                                  |
| TCL 060–124  | 85 – 375 VDC                                | 24 W              | 24 VDC              | 2.5 A                 | Spring clamp terminals           |
| TCL 060–148  |                                             | 48 VDC            | 1.25 A              |                       |                                  |
| TCL 120–112  |                                             | 120 W             | 12 VDC              | 8.0 A                 |                                  |
| TCL 120–124  | 85 – 132 /<br>187–264 VAC                   | 24 W              | 24 VDC              | 5.0 A                 | Spring clamp terminals           |
| TCL 240–124  |                                             | 240 W             | 24 VDC              | 10.0 A                |                                  |
| TCL 024–124C |                                             | 24 W              | 24 VDC              | 1.0 A                 |                                  |
| TCL 060–112C | 85 – 264 VAC<br>Universal Input<br>50/60 Hz | 60 W              | 12 VDC              | 4.0 A                 | Spring clamp terminals           |
| TCL 060–124C |                                             | 60 W              | 24 VDC              | 2.5 A                 |                                  |
| TCL 060–148C | 85 – 375 VDC                                | 48 VDC            | 1.25 A              |                       | Spring clamp terminals           |
| TCL 120–112C |                                             | 120 W             | 12 VDC              | 8.0 A                 |                                  |
| TCL 120–124C |                                             | 120 W             | 24 VDC              | 5.0 A                 |                                  |

**TSPC-240-124UPS** **240 Watt**

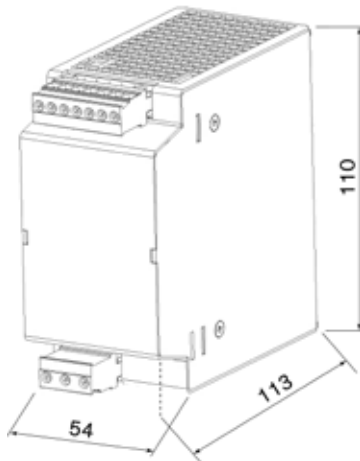


- Compact universal power supply for uninterruptable 24 VDC output voltage
- Battery protection for over voltage, deep discharge, short circuit and reverse connection
- Alarm outputs for input, output and battery condition
- Remote On/Off for UPS function and power supply
- Controlled end of charge voltage by battery temperature sensor
- International safety approval package
- Suitable for various external 12 VDC lead acid batteries

| Model            | Input Voltage Range                            | Output Current max.* | Back up Battery                                                                  |
|------------------|------------------------------------------------|----------------------|----------------------------------------------------------------------------------|
| TSPC 240-124 UPS | Low Line: 85-132 VAC<br>High Line: 187-264 VAC | 24 VDC / 12 A        | 12V lead acid battery (to purchase on local market, or TRACO POWER battery pack) |

\* Maximum current at nominal Vout

**TSP-BCMU360** **360 Watt**



- Universal battery controller module for uninterruptable 24 VDC and 48 VDC bus voltage
- Redundant inputs for two independent sources
- Battery protection for over voltage, deep discharge, short circuit and reverse connection
- Alarm outputs for input, output and battery condition
- Remote On/Off for battery
- Controlled end of charge voltage by temperature sensor
- International safety approval package
- 3-year product warranty

| Model       | Inputs                                                              | Input Voltage Range                              | Output Current max.*            | Back up Battery                                                                  |
|-------------|---------------------------------------------------------------------|--------------------------------------------------|---------------------------------|----------------------------------------------------------------------------------|
| TSP-BCMU360 | 2 x 360 W, for any single or two identical 24 VDC or 48 VDC sources | 24-28 or 48-56 VDC (range selection with jumper) | 24 VDC / 15 A<br>48 VDC / 7.5 A | 12V lead acid battery (to purchase on local market, or TRACO POWER battery pack) |

\* Maximum current at nominal Vout

## SOLAR INVERTER



TRI

## SMART HOME CONTROLLER



TMPS10

## EV CHARGER



TCL-DC

## SMART GRID IOT



TSR1

## ACCESS/ SECURITY



TBLC25

## SMART HOME INTERFACE



TIW

## Building Technology Power Supplies

## AC/DC from 2–150 Watt

- DIN-Rail form factor max. 55 mm depth
- Flushbox solutions available
- EN 60335-1 Household compliant
- Low-standby power consumption ERP directive
- IEC/EN/UL 62368-1 compliant

For more information, datasheet and certifications  
please visit our website [www.tracopower.com](http://www.tracopower.com)

TRACO POWER dedicated to design and production of high quality, state-of-the-art DC/DC & AC/DC power conversion products. Our mission is to provide optimal power supply solutions for specific applications with regard to performance, quality, cost and functionality.

TRACO POWER stocks an average of USD 25+ million in available finished goods inventory for immediate shipment through our distribution partners.

TRACO POWER offers extended product life-cycles, typically 10+ years, and our products are supported by a 3 or 5 year product warranty. We understand our customers require a high quality solution as well as a diverse product offering, availability from stock, extended life-cycles and a strong commitment to quality in the form of extended warranty to support their business.

**International Office**

Traco Electronic AG  
Sihlbruggstrasse 111  
6340 Baar  
Switzerland

P +41 43 311 45 11  
F +41 43 311 45 45  
info@tracopower.com

**German Office**

Traco Electronic GmbH  
Oskar-Messter-Str. 20a  
85737 Ismaning/München  
Germany

P +49 89 96 11 82-0  
F +49 89 96 11 82-20  
info@tracopower.de

**French Office**

Traco Power France  
17, rue de la Vanne  
92120 Montrouge  
France

M +33 (0)6 72 11 52 21  
info@tracopower.fr

**North America Office**

Traco Power North America, Inc.  
2025 Gateway Place #330  
SAN JOSE, CA 95110  
USA

P +1 (408) 916-4570  
F +1 (408) 916-4571  
salesusa@tracopower.com

**Design & Development**

Traco Power Solutions Ltd.  
Whitemill Industrial Estate  
Whitemill Road, Wexford  
Y35 YH66, Ireland

P +353 53 9167 700  
F +353 53 9167 701  
info@tracopower.ie

## X-ON Electronics

Largest Supplier of Electrical and Electronic Components

*Click to view similar products for [Switching Power Supplies](#) category:*

*Click to view products by [TRACO Power](#) manufacturer:*

Other Similar products are found below :

[70841011](#) [73-551-0005](#) [73-551-0048](#) [PS3E-B12F](#) [PS3E-E12F](#) [AAD600S-4-OP](#) [R22095](#) [KD0204](#) [9021](#) [LDIN100150](#) [LPM000-BBAR-01](#)  
[LPX17S-C](#) [EVS57-10R6/R](#) [FP80](#) [FRV7000G](#) [22929](#) [PS3E-F12F](#) [CQM1IA121](#) [40370121900](#) [VI-PU22-EXX](#) [40370121910](#) [LDIN5075](#)  
[LPM615-CHAS](#) [LPX140-C](#) [09-160CFG](#) [70841025](#) [VPX3000-CBL-DC](#) [LPM000-BBAR-05](#) [LPM000-BBAR-08](#) [LPM124-OUTA1-48](#)  
[LPM000-BBAR-07](#) [LPM109-OUTA1-10](#) [LPM616-CHAS](#) [08-30466-1055G](#) [08-30466-2175G](#) [08-30466-2125G](#) [DMB-EWG](#) [TVQF-1219-](#)  
[18S](#) [6504-226-2101](#) [CQM1IPS01](#) [SP-300-5](#) [CQM1-IPS02](#) [VI-MUL-ES](#) [22829](#) [08-30466-0065G](#) [VI-RU031-EWWX](#) [08-30466-0028G](#) [VI-](#)  
[LUL-EU](#) [EP3000AC48INZ](#) [VP-C2104853](#)