

- Very compact metal cased power supplies
- High operating temperature up to 60°C
- Low no load power consumption <0.5W
- Screw terminal block
- No internal fan
- Universal AC input
- Active power factor correction >0.93
- Withstand 300 VAC surge input for 5 sec.
- Adjustable output voltage
- 3-year product warranty



The TXM 100 series of 100 Watt is a family of enclosed AC/DC power supplies designed for cost critical applications. With a low profile metal case and screw terminal block connections, they are easy to install in any equipment. There are five models of single output voltages from 5 VDC to 48 VDC. These power supplies have universal input and comply with European EMC standards and the Low Voltage Directive (LVD).

Models				
Order Code	Output Power (max.)	Output Voltage (adjustable)	Output Current (max.)	Efficiency (typ.)
TXM 100-105	100 Watt	5 VDC	20.0 A	84 %
TXM 100-112		12 VDC	8.5 A	87 %
TXM 100-115		15 VDC	7.0 A	87 %
TXM 100-124		24 VDC	4.2 A	88 %
TXM 100-148		48 VDC	2.2 A	88 %

Input Specifications

Input voltage range	– AC range (universal input)	90 – 264 VAC (47 – 63 Hz)
Input current at full load		1.5 A max.
Surge voltage (5 s max.)		300 VAC
Inrush current	– at 115 VAC – at 230 VAC	30 A max. 50 A max.
Leakage current	– Input to output – Input to PE	0.25 mA max. 3.50 mA max.
Zero load power consumption		0.5 W max. (acc. ErP directive)
Power factor	– at 115 VAC – at 230 VAC	0.93 min. 0.98 min.

Output Specifications

Voltage set accuracy	24 & 48 Vout models: other output models:	±1 % max. ±2 % max.
Voltage adjustment range	5 Vout model: 12 Vout model: 15 Vout model: 24 Vout model: 48 Vout model:	3.3 – 5.5 VDC 10.0 – 15.0 VDC 13.5 – 17.0 VDC 21.0 – 27.0 VDC 43.2 – 52.8 VDC
Regulation	– Input variation (Vin min. to Vin max.) – Load variation (0 - 100%) 24 & 48 Vout models: other output models:	0.5 % max. 1.0 % max. 2.0 % max.
Minimum load		not required
Temperature coefficient		±0.03 %/K max.
Hold-up time	– at 230 VAC	12 ms min.
Start-up time	– at 115 VAC – at 230 VAC	4.0 s max. 2.0 s max.
Startup overshoot voltage		5 % max.
Ripple and noise (20 MHz Bandwidth)		150 mVp-p max.
Output current limitation		110 – 150 % of Iout
Short circuit protection		continuous, automatic recovery (hiccup mode)
Over voltage protection		110 – 150 % of Vout (hiccup mode)

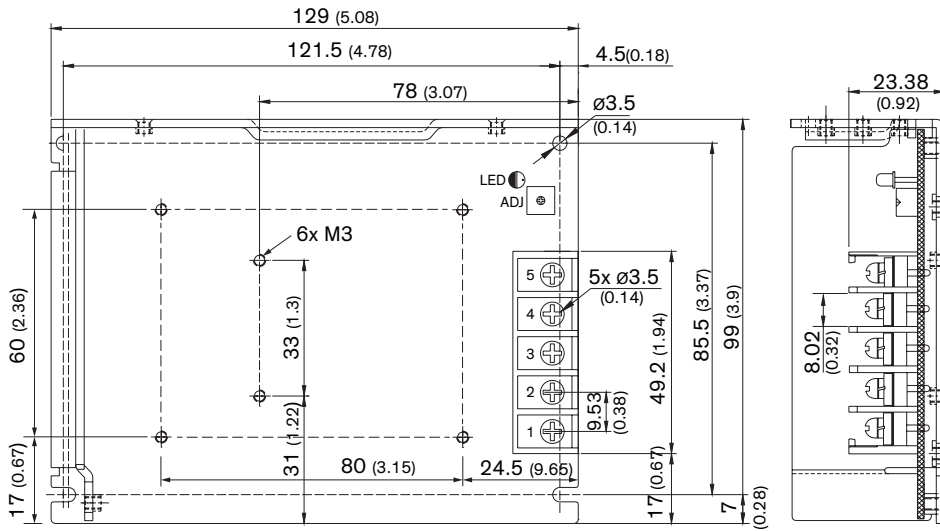
All specifications valid at nominal input voltage, full load and +25°C after warm-up time unless otherwise stated.

General Specifications

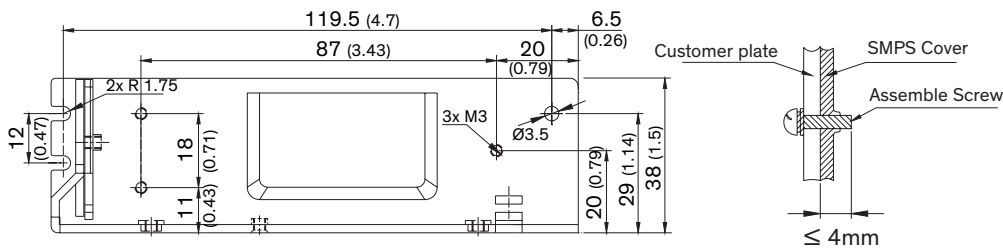
Temperature ranges	<ul style="list-style-type: none"> – Operating – Storage 	–20°C to +60°C (with derating) –30°C to +85°C
Humidity (non condensing)	<ul style="list-style-type: none"> – Operating – Storage 	20 – 90 % rel. H 10 – 95 % rel. H
Derating	<ul style="list-style-type: none"> – Temperature – Low input voltage 	2.5 %/K above 50°C 1.0 %/V below 100 VAC
Altitude during operation		5000 m max.
Isolation voltage	<ul style="list-style-type: none"> – Input to output (60 s) – Input to case (60 s) – Output to case (60 s) 	3000 VAC 3000 VAC 500 VAC
Isolation resistance		100 MOhm min.
Reliability	– Calculated MTBF at +25°C acc. to MIL-HDBK-217F	200'000 h
Protection class		class I
EMC emissions	<ul style="list-style-type: none"> – Conducted and radiated input emission – Harmonic current emissions – Flicker 	EN 55032, class B EN 61000-3-2, class A EN 61000-3-3
EMC immunity	<ul style="list-style-type: none"> – Electrostatic discharge (ESD) – Radiated immunity – Fast transiente – Surge – Conducted immunity – Magnetic field immunity – Voltage dips and interruptions 	EN 55024 EN 61000-4-2, ±4 kV air, ±8 kV contact perf. criteria B EN 61000-4-3, 3 V/m perf. criteria A EN 61000-4-4, ±1 kV perf. criteria B EN 61000-4-5, ±1 kV line to line, ±2 kV line to ground, perf. criteria B EN 61000-4-6, 3 Vrms perf. criteria A EN 61000-4-8, 1 A/m perf. criteria A EN 61000-4-11 0%, 0.5 cycle, perf. criteria B 70%, 25 cycle, perf. criteria C 0%, 250 cycle, perf. criteria C
Safety standards and certification	<ul style="list-style-type: none"> – Certification documents 	IEC/EN/UL 60950-1 2nd edition www.tracopower.com/overview/txm100
Environmental compliance	<ul style="list-style-type: none"> – Reach – RoHS 	www.tracopower.com/info/reach-declaration.pdf RoHS directive 2011/65/EU
Connection		Screw terminal

All specifications valid at nominal input voltage, full load and +25°C after warm-up time unless otherwise stated.

Dimension



Pin-Out	
Pin	Function
1	AC (L)
2	AC (N)
3	PE
4	- Vout
5	+ Vout



Weight: 455 g (16.05 oz)

Dimensions in mm, () = inch
Outside dimension tolerance: ± 1.0 mm

X-ON Electronics

Largest Supplier of Electrical and Electronic Components

Click to view similar products for [Switching Power Supplies](#) category:

Click to view products by [TRACO Power](#) manufacturer:

Other Similar products are found below :

[70841011](#) [73-551-0005](#) [73-551-0048](#) [PS3E-B12F](#) [PS3E-E12F](#) [AAD600S-4-OP](#) [R22095](#) [KD0204](#) [9021](#) [LDIN100150](#) [LPM000-BBAR-01](#)
[LPX17S-C](#) [EVS57-10R6/R](#) [FP80](#) [FRV7000G](#) [22929](#) [PS3E-F12F](#) [CQM1IA121](#) [40370121900](#) [VI-PU22-EXX](#) [40370121910](#) [LDIN5075](#)
[LPM615-CHAS](#) [LPX140-C](#) [09-160CFG](#) [70841025](#) [VPX3000-CBL-DC](#) [VI-LUL-IU](#) [LPM000-BBAR-05](#) [LPM000-BBAR-08](#) [LPM124-](#)
[OUTA1-48](#) [LPM000-BBAR-07](#) [LPM109-OUTA1-10](#) [LPM616-CHAS](#) [08-30466-1055G](#) [08-30466-2175G](#) [08-30466-2125G](#) [DMB-EWG](#)
[TVQF-1219-18S](#) [6504-226-2101](#) [CQM1IPS01](#) [SP-300-5](#) [CQM1-IPS02](#) [VI-MUL-ES](#) [22829](#) [08-30466-0065G](#) [VI-RU031-EWWX](#) [08-30466-](#)
[0028G](#) [EP3000AC48INZ](#) [VP-C2104853](#)