

Electrical protection





Start with a concrete

Multigates	4-5
MC 3/7	6
MC 25/27	7
MC 35/37	8
MB 5/11	9
MC 3	10
MC 25	11
MC 35	12
MC 16	13
MC 10	14
MB 4	15
LMC 14 IP54	16
LMC 25 IP54	17
LMC 51 IP 54	18
LMC 35 IP44	19
MB 4/10	20
MH 10	21
MH 25	22
MH 27	23
ISMC Interspace	24
Custom made	25
Splitting Multigates	26-27
MC 2x8-67	28
MC 1x8-67	29
SCG 2x3-35	30
SCG 1x3-35	31
MC 2/10, MC 2/18	32
MC 1/9	33
Singlegates	34-35
T-VET	36
VET	37
T-GET	38
GET	39
T-GD	40
T-GDM	41
MGD	42
M 20-80	43
Comparison of Materials	44
IP codes	45
Assembly	46-47
Fixing details	48-49
Dimensions	50-51

Multigates

Multigates are metal or plastic reinforced cable gland plates for leading through low and medium power current cables as well various types of tubing. The products fit directly to standard cut-outs.

Multigates do not need any separate gaskets or glands which makes Multigates very easy to use, providing innumerable advantages in a single assembly unit.

Multigate cable gland plates are made of various types of polymers. All these polymers are RoHS approved and have excellent weather, UV- and ozone resistance. Also EMC-compatible and oil resistant models are available. Oil resistance has been tested according to UL 157 -standard, and these test results are available on request.

Multigates are available with plastic locking pins, which can be used to secure the Multigate to metal as well as plastic enclosures (indoor applications).



Packing codes

Example code 105002	
105002b	LMC-14 IP54 RAL7035 single packed bag
105002f	LMC-14 IP54 RAL7035 with fastener pins
105002c	LMC-14 IP54 RAL7035 single packed with fastener pins (combination)

IP66/67-series

Multigates MC 3/7, MC 25/27, MC 35/37 and MB 5/11 are metal reinforced cable gland plates with new excellent design. The design gives absolute protection against dust and strong jets of water and also against the effects of immersion between 15 cm and 1 m. Also the new design gives excellent protection for strongly bended cables.

IP65-series

Multigates MC 3, MC 25 and MC 35 are metal reinforced cable gland plates with well known design. The design gives absolute protection against dust and spraying water from all directions.



IP55-series

Multigate MB 4/10, MC-10 and MB-4 are metal reinforced cable gland plates with well known design. The design gives protection for limited ingress of dust and against water splashed from all directions.

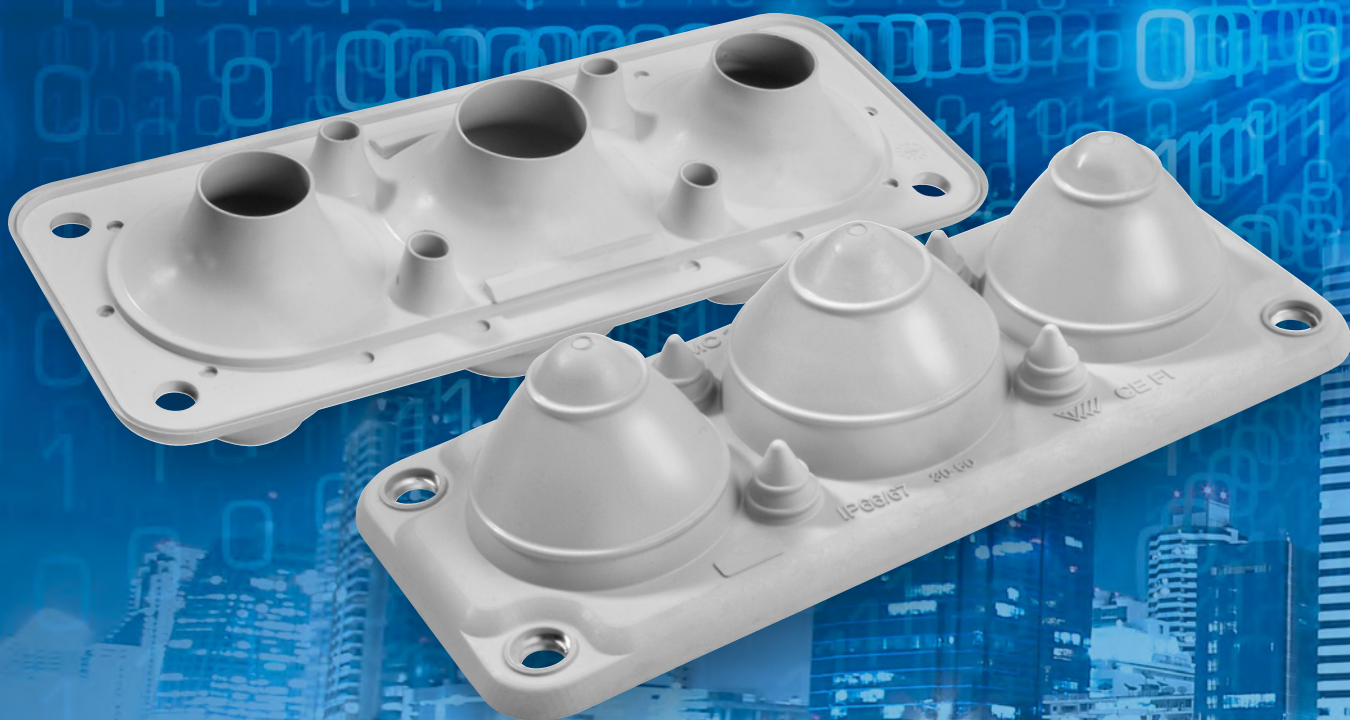
IP54 LMC-series

Multigates LMC 14, LMC 25, LMC 35 and LMC 51 are metal reinforced cable gland plates with new design. The design gives protection against water splashed from all directions. Also the new design gives excellent protection for separate cables when cables are bended effectly.

IP54-series

Multigate MC 16 is plastic or metal reinforced cable gland plates with well known design. The design gives protection for limited ingress of dust and against water splashed from all directions.

MC 3/7



MC 3/7 Multigate is suitable for leading through both low and medium power current cables as well as various types of tubing. It fits directly to a C-standard cut-out (or FL 21).

MC 3/7 Multigate is metal reinforced new type of cable gland plate made of various types of polymers. It meets the respective IP enclosure classes as it does not need separate gaskets or glands which makes it very easy to use, providing innumerable advantages in a single assembly unit.

MC 3/7 Multigate is suitable for both outdoor and indoor use.

MC 3/7 Multigate gives absolute protection against dust and both strong jets of water from all direction and against the effects of immersion between 15 cm and 1,0 m.

MC 3/7 Multigate can be used instead of MC 3 Multigate. The configuration has the same openings than MC 3.

MC 3/7 Multigate is inspected and certified by SGS.

MC 3/7 Multigate will lead through and seal cables as follows:

24 - 54 mm	2 pcs
30 - 60 mm	1 pc
10 - 14 mm	4 pcs

Total of 7 cables

Code	Colour	Ral code	Electrical number	Delivery time	Service temperature *)	Special
105041	Light Grey	7035	3400353	From Stock	-40 - +100 °C	Material UL 94 V-0 approved
103577	Light Grey	7035	3400321	From Stock	-40 - +100 °C	
103576	Grey	7032	3400320	3-4 weeks from PO	-40 - +100 °C	
103580	Black		3400323	From Stock	-40 - +100 °C	Material UL 94 V-0 approved

- Packing size 60 pcs/box
 - Single packed 40 pcs/box (b)

*) Service temperature for unstressed material

MC 25/27



Multigates

MC 25/27 Multigate is suitable for leading through both low and medium power current cables as well as various types of tubing. It fits directly to a C-standard cut-out (or FL 21).

MC 25/27 Multigate is metal reinforced new type of cable gland plate made of various types of polymers. It meets the respective IP enclosure classes as it does not need separate gaskets or glands which makes it very easy to use, providing innumerable advantages in a single assembly unit.

MC 25/27 Multigate is suitable for both outdoor and indoor use.

MC 25/27 Multigate gives absolute protection against dust and both strong jets of water from all direction and against the effects of immersion between 15 cm and 1,0 m.

MC 25/27 Multigate can be used instead of MC 25 Multigate. The configuration has the same openings than MC 25 and 2 extra.

MC 25/27 Multigate is inspected and certified by SGS.

MC 25/27 Multigate will lead through and seal cables as follows:

5 - 7 mm	4 pcs
8 - 12 mm	4 pcs
10 - 14 mm	13 pcs
14 - 20 mm	4 pcs
20 - 26 mm	2 pcs

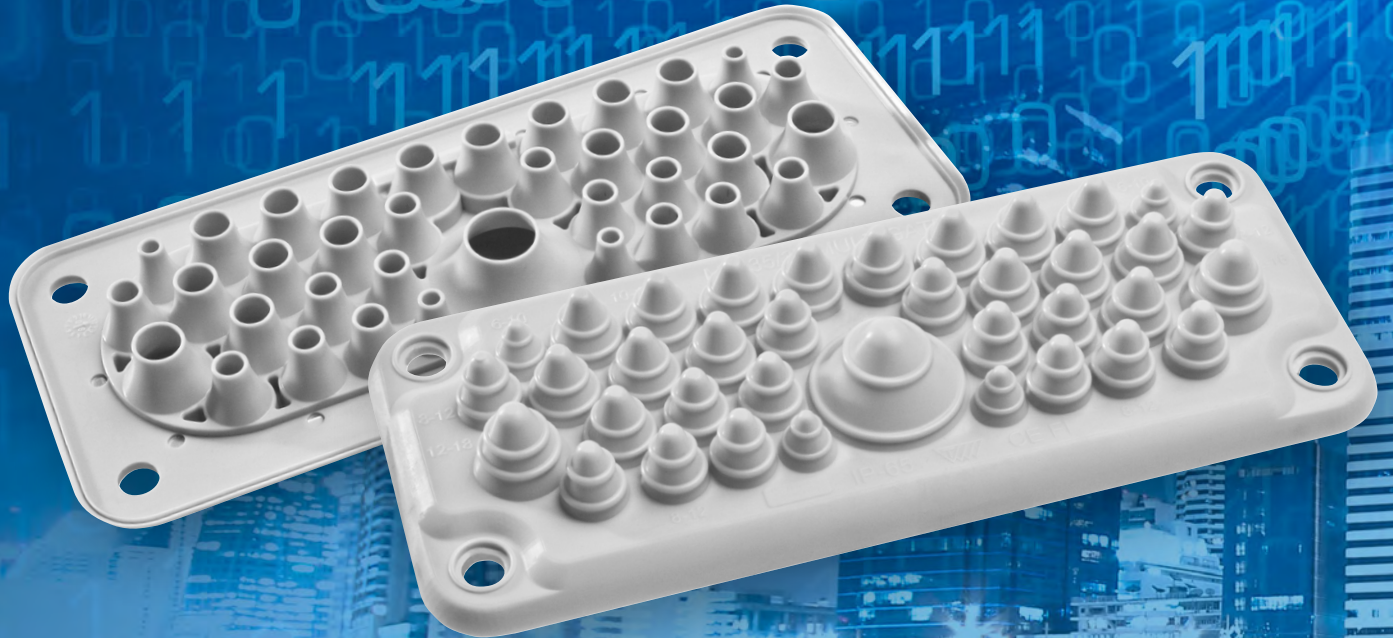
Total of 27 cables

Code	Colour	Ral code	Electrical number	Delivery time	Service temperature *)	Special
105042	Light Grey	7035	3400354	From Stock	-40 – +100 °C	Material UL 94 V-0 approved
103584	Light Grey	7035	3400326	From Stock	-40 – +100 °C	
103583	Grey	7032	3400325	3-4 weeks from PO	-40 – +100 °C	
103586	Black		3400328	From Stock	-40 – +100 °C	Material UL 94 V-0 approved

- Packing size 60 pcs/box
- Single packed 40 pcs/box (b)

*) Service temperature for unstressed material

MC 35/37



MC 35/37 Multigate is suitable for leading through both low and medium power current cables as well as various types of tubing. It fits directly to a C-standard cut-out (or FL 21).

MC 35/37 Multigate is metal reinforced new type of cable gland plate made of various types of polymers. It meets the respective IP enclosure classes as it does not need separate gaskets or glands which makes it very easy to use, providing innumerable advantages in a single assembly unit.

MC 35/37 Multigate is suitable for both outdoor and indoor use.

MC 35/37 Multigate gives absolute protection against dust and both strong jets of water from all direction and against the effects of immersion between 15 cm and 1,0 m.

MC 35/37 Multigate can be used instead of MC 35 Multigate. The configuration has the same openings than MC 35 and 2 extra.

MC 35/37 Multigate is inspected and certified by SGS.

MC 35/37 Multigate will lead through and seal cables as follows:

6 - 10 mm	4 pcs
8 - 12 mm	14 pcs
10 - 14 mm	16 pcs
12 - 18 mm	2 pcs
17 - 32 mm	1 pc

Total of 37 cables

Code	Colour	Ral code	Electrical number	Delivery time	Service temperature *)	Special
105043	Light Grey	7035	3400355	From Stock	-40 – +100 °C	Material UL 94 V-0 approved
103589	Light Grey	7035	3400331	From Stock	-40 – +100 °C	
103588	Grey	7032	3400330	3-4 weeks from PO	-40 – +100 °C	
103591	Black		3400333	From Stock	-40 – +100 °C	Material UL 94 V-0 approved

- Packing size 60 pcs/box
 - Single packed 40 pcs/box (b)

*) Service temperature for unstressed material

MB 5/11



Multigates

MB 5/11 Multigate is suitable for leading through both low and medium power current cables as well as various types of tubing. It fits directly to a B-standard cut-out (or FL 13).

MB 5/11 Multigate is metal reinforced new type of cable gland plate made of various types of polymers. It meets the respective IP enclosure classes as it does not need separate gaskets or glands which makes it very easy to use, providing innumerable advantages in a single assembly unit.

MB 5/11 Multigate is suitable for both out door and indoor use.

MB 5/11 Multigate gives absolute protection against dust and both strong jets of water from all direction and against the effects of immersion between 15 cm and 1,0 m.

MB 5/11 Multigate can be used instead of MB 5 Multigate. The configuration has the same openings than MB 5 and 6 extra.

MB 5/11 Multigate is inspected and certified by SGS.

MB 5/11 Multigate will lead through and seal cables as follows:

5 - 7 mm	4 pcs
7 - 10 mm	3 pcs
10 - 14 mm	2 pcs
15 - 30 mm	2 pcs

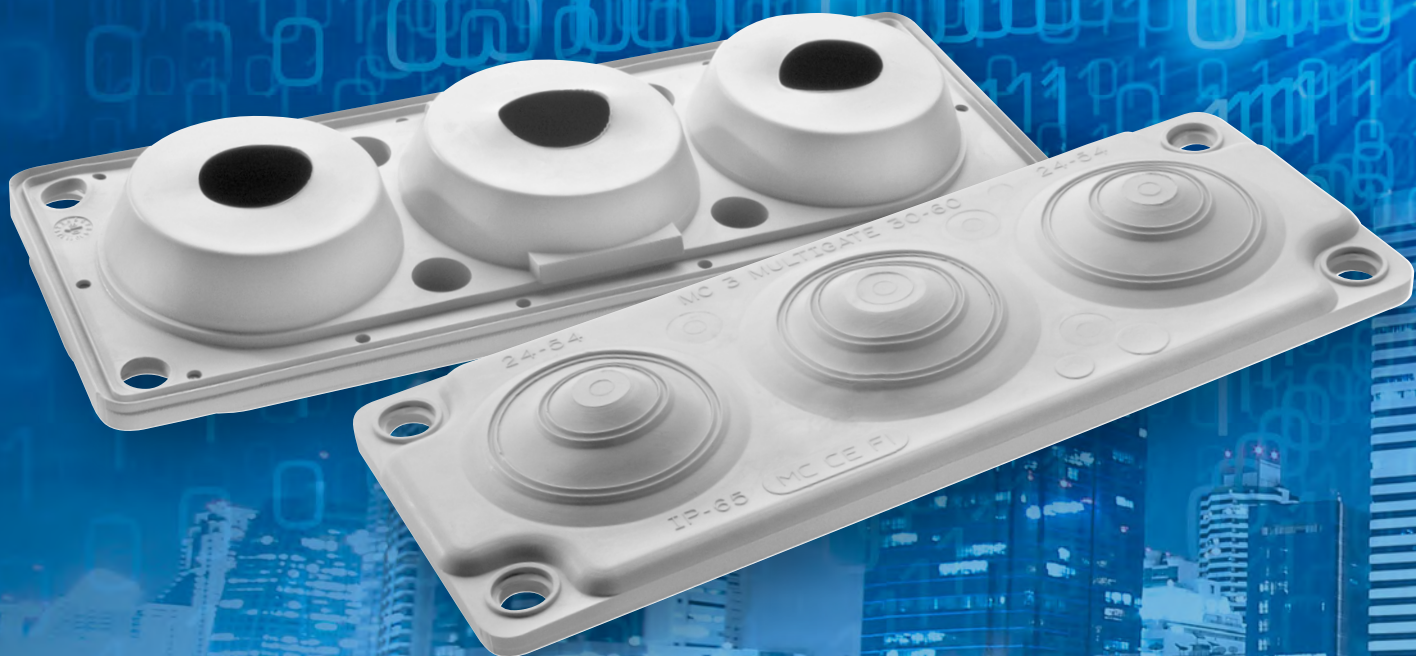
Total of 11 cables

Code	Colour	Ral code	Electrical number	Delivery time	Service temperature *)	Special
105044	Light Grey	7035	3400356	From Stock	-40 – +100 °C	Material UL 94 V-0 approved
103608	Light Grey	7035	3400336	From Stock	-40 – +100 °C	
103607	Grey	7032	3400335	3-4 weeks from PO	-40 – +100 °C	

- Packing size 200 pcs/box

*) Service temperature for unstressed material

MC 3



MC 3 Multigate is suitable for leading through both low and medium power current cables as well as various types of tubing. It fits directly to a C-standard cut-out (or FL 21).

MC 3 Multigate is well known metal reinforced cable gland plate made of various types of polymers. It meets the respective IP enclosure classes as it does not need separate gaskets or glands which makes it very easy to use, providing innumerable advantages in a single assembly unit.

MC 3 Multigate is suitable for both outdoor and indoor use.

MC 3 Multigate gives absolute protection against dust and spraying water from all directions.

MC 3 Multigate is inspected and certified by SGS.

MC 3 Multigate will lead through and seal cables as follows:

24 - 54 mm	2 pcs	IP65
30 - 60 mm	1 pc	IP65
8 - 12 mm	4 pcs	IP54

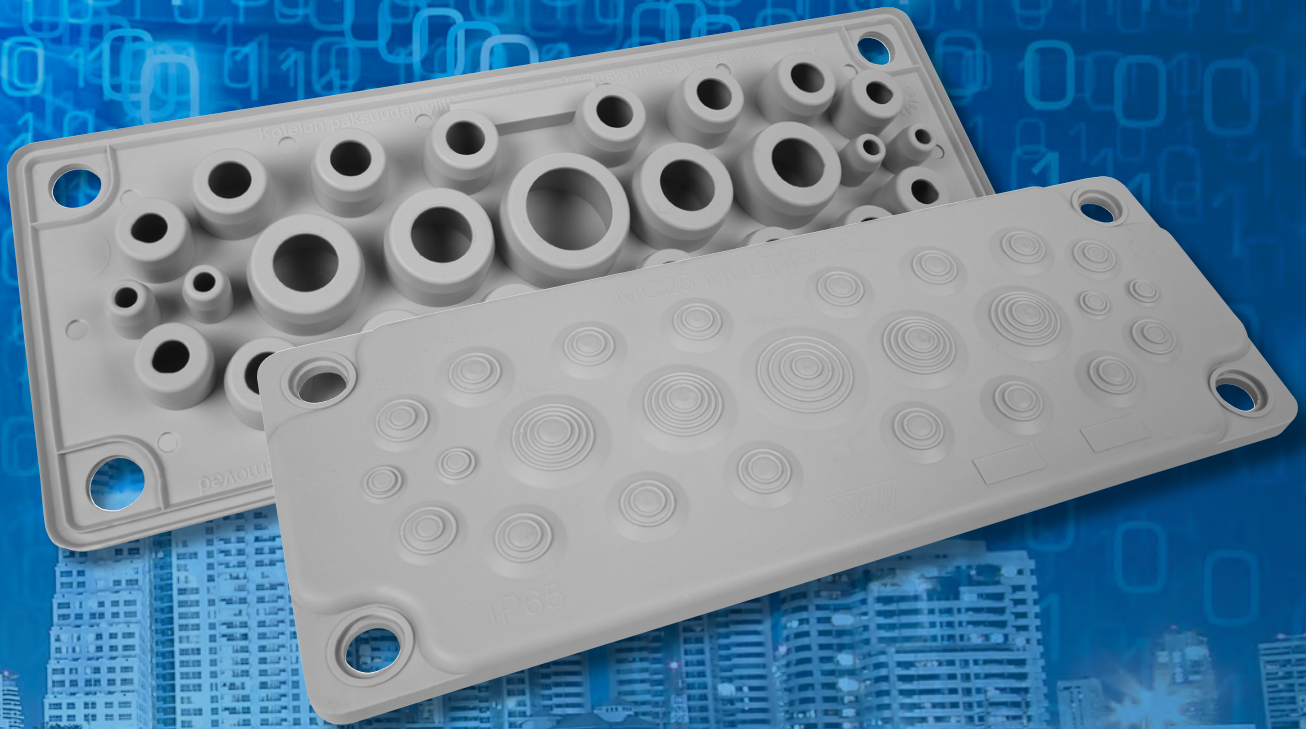
Total of 7 cables

Code	Colour	Ral code	Electrical number	Delivery time	Service temperature *)	Special
100234	Light Grey	7035	1732351	From Stock	-40 – +100 °C **)	
100235	Black		3400301	From Stock	-40 – +100 °C	Material V-O, oil-resistant
100233	Grey	7032	1732350	3-4 weeks from PO	-40 – +100 °C **)	

- Packing size 100 pcs/box
 - Single packed 80 pcs/box (b)

*) Service temperature for unstressed material
 **) Available with fastener pins (f)

MC 25



Multigates

MC 25 Multigate is suitable for leading through both low and medium power current cables as well as various types of tubing. It fits directly to a C-standard cut-out (or FL 21).

MC 25 Multigate is well known metal reinforced cable gland plate made of various types of polymers. It meets the respective IP enclosure classes as it does not need separate gaskets or glands which makes it very easy to use, providing innumerable advantages in a single assembly unit.

MC 25 Multigate is suitable for both outdoor and indoor use.

MC 25 Multigate gives absolute protection against dust and spraying water from all directions.

MC 25 Multigate is inspected and certified by SGS.

MC 25 Multigate will lead through and seal cables as follows:

5 - 7 mm	4 pcs
8 - 12 mm	4 pcs
10 - 14 mm	12 pcs
14 - 20 mm	4 pcs
20 - 26 mm	1 pc

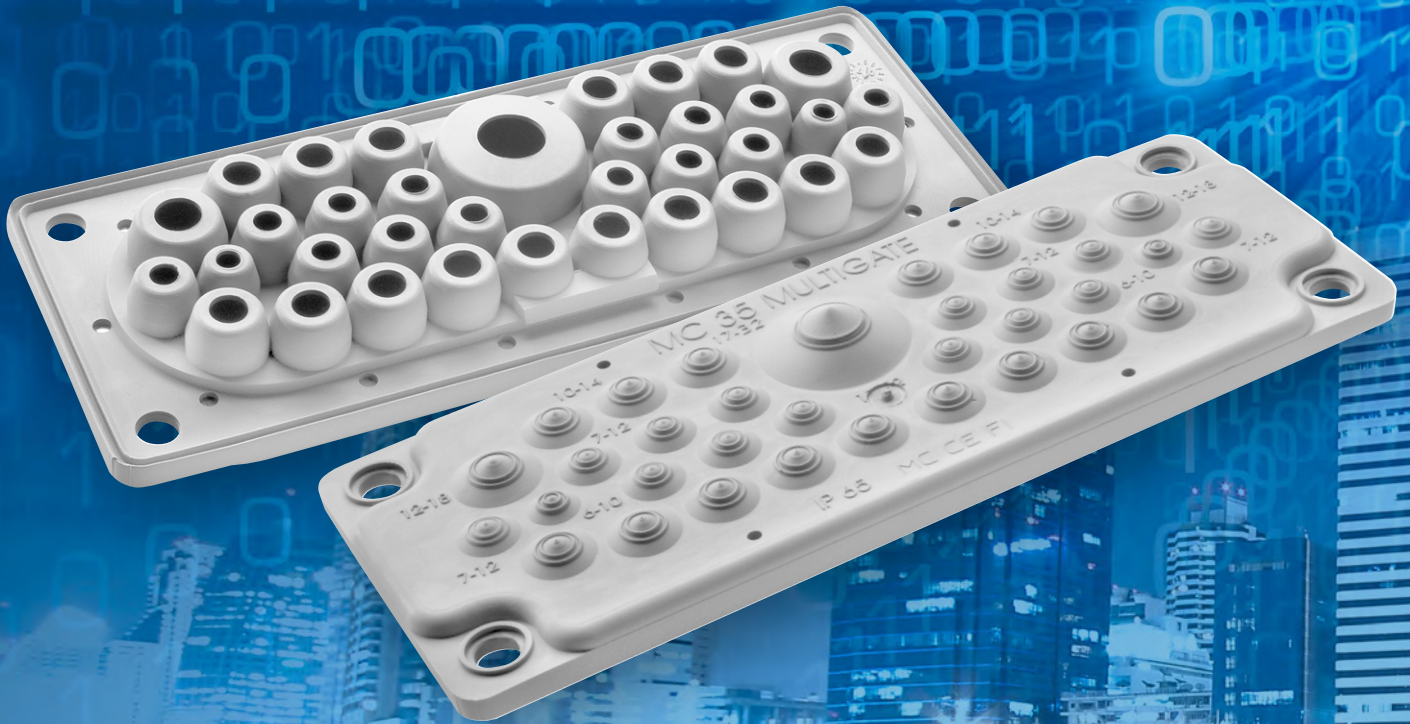
Total of 25 cables

Code	Colour	Ral code	Electrical number	Delivery time	Service temperature *)	Special
100238	Light Grey	7035	1732352	From Stock	-40 – +100 °C **)	
100239	Black		3400304	From Stock	-40 – +100 °C	Material V-0, oil-resistant
100237	Grey	7032	3400306	3-4 weeks from PO	-40 – +100 °C **)	
100214	Black		3400305		-40 – +100 °C	EMC tested

- Packing size 100 pcs/box
 - Single packed 80 pcs/box (b)

*) Service temperature for unstressed material
 **) Available with fastener pins (f)

MC 35



MC 35 Multigate is suitable for leading through both low and medium power current cables as well as various types of tubing. It fits directly to a C-standard cut-out (or FL 21).

MC 35 Multigate is well known metal reinforced cable gland plate made of various types of polymers. It meets the respective IP enclosure classes as it does not need separate gaskets or glands which makes it very easy to use, providing innumerable advantages in a single assembly unit.

MC 35 Multigate is suitable for both outdoor and indoor use.

MC 35 Multigate gives absolute protection against dust and spraying water from all directions.

MC 35 Multigate is inspected and certified by SGS.

MC 35 Multigate will lead through and seal cables as follows:

6 - 10 mm	2 pcs
7 - 12 mm	14 pcs
10 - 14 mm	16 pcs
12 - 18 mm	2 pcs
17 - 32 mm	1 pc

Total of 35 cables

Code	Colour	Ral code	Electrical number	Delivery time	Service temperature *)	Special
100244	Light Grey	7035	1732353	From Stock	-40 – +100 °C **)	
100245	Black		3400308	From Stock	-40 – +100 °C	Material V-0, oil-resistant
100243	Grey	7032	3400310	3-4 weeks from PO	-40 – +100 °C **)	
100215	Black		3400309		-40 – +100 °C	EMC tested

- Packing size 100 pcs/box
 - Single packed 80 pcs/box (b)

*) Service temperature for unstressed material
 **) Available with fastener pins (f)

MC 16



Multigates

MC 16 Reversible Multigate is suitable for leading through both low and medium power current cables as well as various types of tubing. It fits directly to a C-standard cut-out (or FL 21)

MC 16 Reversible Multigate is plastic reinforced cable gland plate made of various types of polymers. It meets the respective IP enclosure classes as it does not need separate gaskets or glands which makes it very easy to use, providing innumerable advantages in a single assembly unit.

MC 16 Reversible Multigate can be used by two different ways. When the Multigate is used “facade” up, it works as a regular IP54 enclosure cable gland plate. The product contains a gasket against the cabinet and it comes with self-locking pins. This means that no special tools are needed at any point of the installa-

tion. When the Multigate is used reversed it functions as a piping grommet in dry space switchboards. Pipes lock securely to the seal in the gland plate by the friction of the elastic material. Membranes on the plate seal the pipes and effectively prevent condensate formation in pipes that run, for instance, through attic space. The self-locking pins supplied with the Multigate are also suitable for reverse mounting.

MC 16 Reversible Multigate is suitable for both outdoor and indoor use.

MC 16 Reversible Multigate gives protection for limited ingress of dust and against water splashed from all directions.

MC 16 Reversible Multigate is inspected and certified by SGS.

MC 16 Multigate will lead through and seal cables as follows:

10 - 20 mm	15 pcs
10 - 30 mm	1 pc

Total of 16 cables

Code	Colour	Ral code	Electrical number	Delivery time	Service temperature *)	Special
100084	Light Grey	7035	3400311	3-4 weeks from PO	-40 – +100°C	

- Packing size 100 pcs/box
- Single packed 80 pcs/box (b)

*) Service temperature for unstressed material

MC 10



MC 10 Multigate is suitable for leading through both low and medium power current cables as well as various types of tubing. It fits directly to a C-standard cut-out (or FL 21).

MC 10 Multigate is metal reinforced cable gland plate made of various types of polymers. It meets the respective IP enclosure classes as it does not need separate gaskets or glands which makes it very easy to use, providing innumerable advantages in a single assembly unit.

MC 10 Multigate is suitable for both outdoor and indoor use.

MC 10 Multigate gives protection for limited ingress of dust and against water splashed from all directions.

MC 10 Multigate is inspected and certified by SGS.

MC 10 Multigate will lead through and seal cables as follows:

7 - 12 mm	2 pcs
10 - 30 mm	8 pcs

Total of 10 cables

Code	Colour	Ral code	Electrical number	Delivery time	Service temperature *)	Special
103552	Light Grey	7035	3400312	From Stock	-40 – +100 °C	Material UL 94 V-0 approved

- Packing size 100 pcs/box
- Single packed 80 pcs/box (b)

*) Service temperature for unstressed material

MB 4



Multigates

MB 4 Multigate is suitable for leading through both low and medium power current cables as well as various types of tubing. It fits directly to a B-standard cut-out (or FL 13)

MB 4 Multigate is metal reinforced cable gland plate made of various types of polymers. It meets the respective IP enclosure classes as it does not need separate gaskets or glands which makes it very easy to use, providing innumerable advantages in a single assembly unit.

MB 4 Multigate is suitable for both outdoor and indoor use.

MB 4 Multigate gives protection for limited ingress of dust and against water splashed from all directions.

MB 4 Multigate will lead through and seal cables as follows:

10 - 25 mm 4 pcs

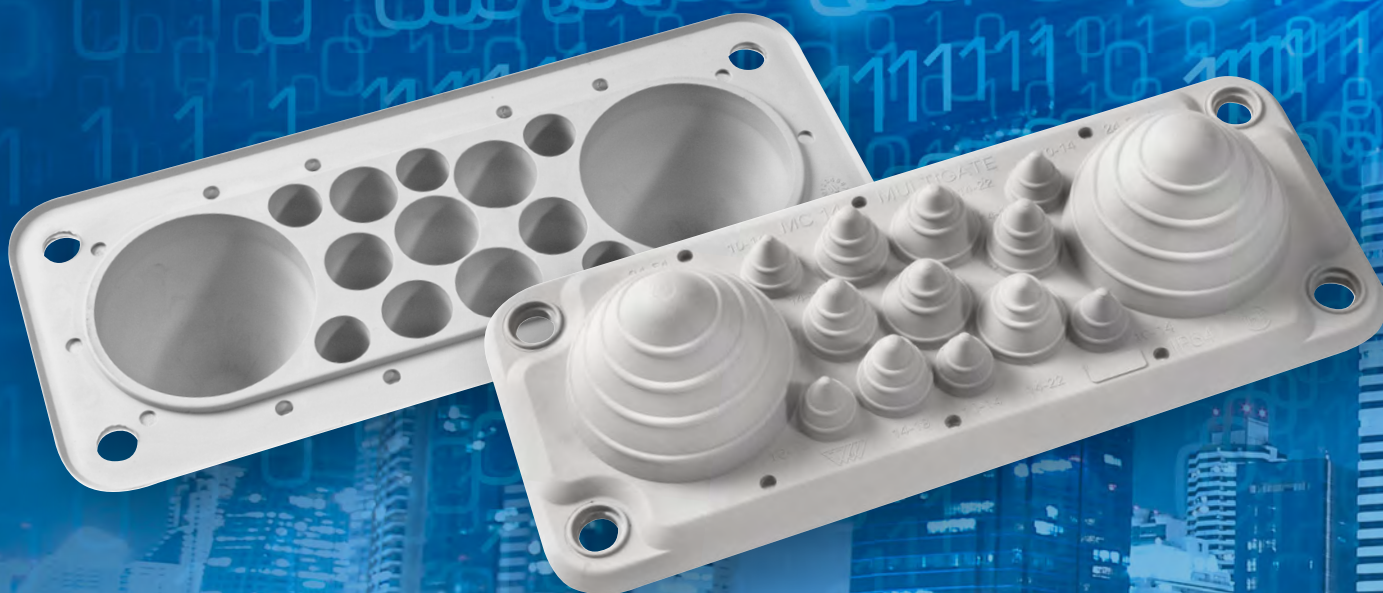
Total of 4 cables

Code	Colour	Electrical number	Delivery time	Service temperature *)	Special
100216	White	3400318	From Stock	-40 – +100 °C	Material UL 94 V-0 approved

- Packing size 200 pcs/box

*) Service temperature for unstressed material

LMC 14 IP54



LMC 14 Multigate is suitable for leading through both low and medium power current cables as well as various types of tubing. It fits directly to a C-standard cut-out (or FL 21).

LMC 14 Multigate is metal reinforced cable gland plate made of various types of polymers. It meets the respective IP enclosure classes as it does not need separate gaskets or glands which makes it very easy to use, providing innumerable advantages in a single assembly unit.

LMC 14 Multigate is suitable for both outdoor and indoor use.

LMC 14 Multigate gives protection against water splashed from all directions.

LMC 14 Multigate is inspected and certified by SGS.

LMC 14 IP54 Multigate will lead through and seal cables as follows:

24 - 54 mm	2 pcs
14 - 22 mm	3 pcs
14 - 18 mm	4 pcs
10 - 14 mm	5 pcs

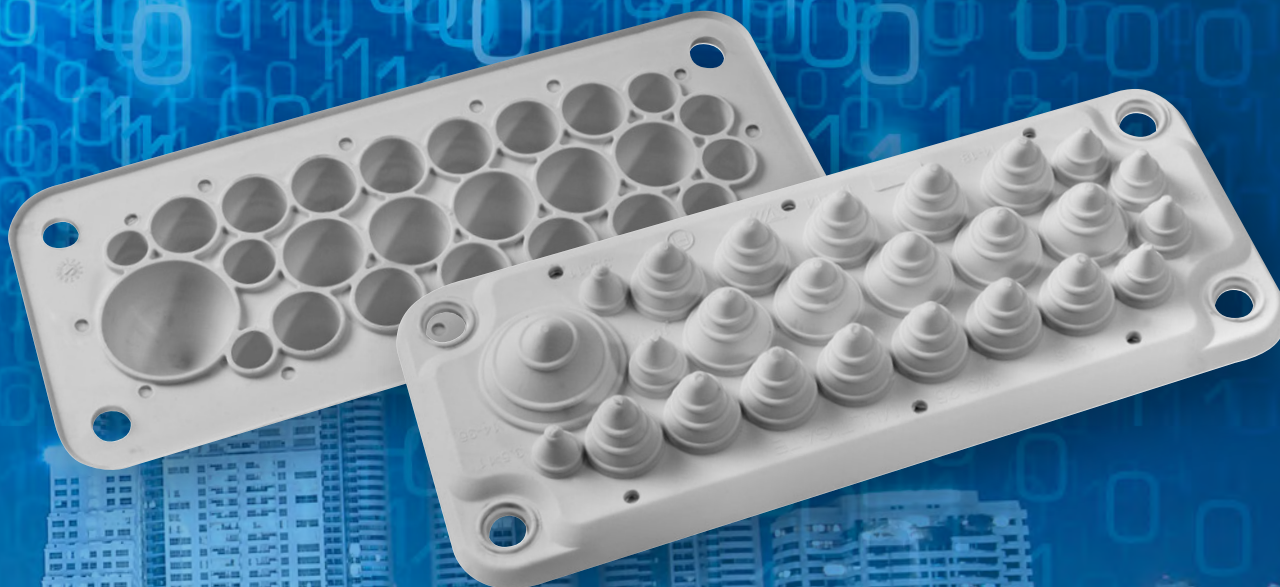
Total of 14 cables

Code	Colour	Ral code	Electrical number	Delivery time	Service temperature *)	Special
104338	Light Grey	7035	3400350	From Stock	-40 – +100 °C	Material UL 94 V-0 approved
105002	Light Grey	7035	3400357	From Stock	-40 – +100 °C **)	

- Packing size 100 pcs/box
- Single packed 80 pcs/box (b)

*) Service temperature for unstressed material
 **) Available with fastener pins (f)

LMC 25 IP54



LMC 25 Multigate is suitable for leading through both low and medium power current cables as well as various types of tubing. It fits directly to a C-standard cut-out (or FL 21).

LMC 25 Multigate is metal reinforced cable gland plate made of various types of polymers. It meets the respective IP enclosure classes as it does not need separate gaskets or glands which makes it very easy to use, providing innumerable advantages in a single assembly unit.

LMC 25 Multigate is suitable for both outdoor and indoor use.

LMC 25 Multigate gives protection against water splashed from all directions.

LMC 25 Multigate is inspected and certified by SGS.

LMC 25 IP54 Multigate will lead through and seal cables as follows:

14 - 35 mm	1 pc
14 - 22 mm	5 pcs
14 - 18 mm	12 pcs
10 - 14 mm	5 pcs
3.5 - 11 mm	2 pcs

Total of 25 cables

Code	Colour	Ral code	Electrical number	Delivery time	Service temperature *)	Special
104335	Light Grey	7035	3400341	From Stock	-40 – +100 °C	Material UL 94 V-0 approved
105003	Light Grey	7035	3400358	From Stock	-40 – +100 °C **)	

- Packing size 100 pcs/box
- Single packed 80 pcs/box (b)

*) Service temperature for unstressed material
 **) Available with fastener pins (f)

LMC 51 IP54



LMC 51 Multigate is suitable for leading through both low and medium power current cables as well as various types of tubing. It fits directly to a C-standard cut-out (or FL 21).

LMC 51 Multigate is metal reinforced cable gland plate made of various types of polymers. It meets the respective IP enclosure classes as it does not need separate gaskets or glands which makes it very easy to use, providing innumerable advantages in a single assembly unit.

LMC 51 Multigate is suitable for both outdoor and indoor use.

LMC 51 Multigate gives protection against water splashed from all directions.

LMC 51 Multigate is inspected and certified by SGS.

LMC 51 IP54 Multigate will lead through and seal cables as follows:

15 - 25 mm	1 pc
7 - 13 mm	50 pcs

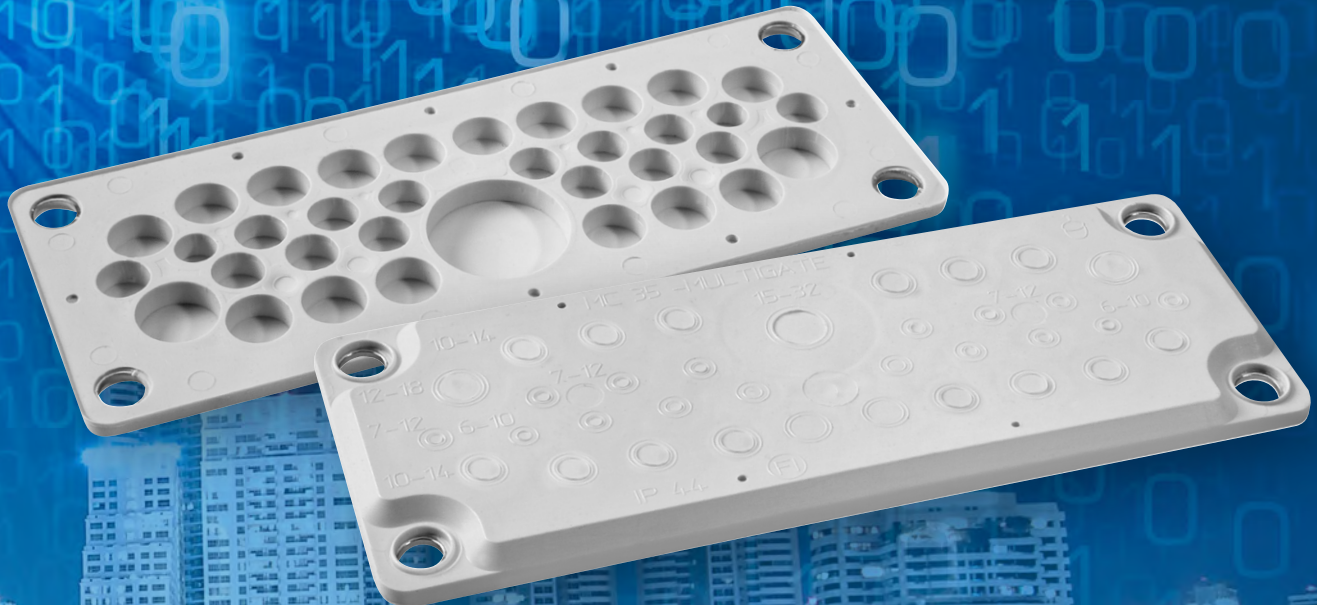
Total of 51 cables

Code	Colour	Ral code	Electrical number	Delivery time	Service temperature *)	Special
104344	Light Grey	7035	3400347	From Stock	-40 – +100 °C	Material UL 94 V-0 approved
105004	Light Grey	7035	3400359	From Stock	-40 – +100 °C **)	

- Packing size 100 pcs/box
- Single packed 80 pcs/box (b)

*) Service temperature for unstressed material
**) Available with fastener pins (f)

LMC 35 IP44



Multigates

LMC 35 Multigate is suitable for leading through both low and medium power current cables as well as various types of tubing. It fits directly to a C-standard cut-out (or FL 21).

LMC 35 Multigate is metal reinforced cable gland plate made of various types of polymers. It meets the respective IP enclosure classes as it does not need separate gaskets or glands which makes it very easy to use, providing innumerable advantages in a single assembly unit.

LMC 35 Multigate is suitable for both outdoor and indoor use.

LMC 35 Multigate gives protection against water splashed from all directions.

LMC 35 Multigate is inspected and certified by SGS.

LMC 35 IP44 Multigate will lead through and seal cables as follows:

15 - 32 mm	1 pc
12 - 18 mm	2 pcs
10 - 14 mm	16 pcs
7 - 12 mm	14 pcs
6 - 10 mm	2 pcs

Total of 35 cables

Code	Colour	Ral code	Electrical number	Delivery time	Service temperature (*)	Special
100241	Light Grey	7035	3400344	From Stock	-40 – +100 °C	

- Packing size 100 pcs/box
- Single packed 80 pcs/box (b)

*) Service temperature for unstressed material

MB 4/10



MB 4/10 Multigate is suitable for leading through both low and medium power current cables as well as various types of tubing. It fits directly to a B-standard cut-out (or FL 13).

MB 4/10 Multigate is metal reinforced new type of cable gland plate made of various types of polymers. It meets the respective IP enclosure classes as it does not need separate gaskets or glands which make it very easy to use, providing innumerable advantages in a single assembly unit.

MB 4/10 Multigate is suitable for both outdoor and indoor use.

MB 4/10 Multigate can be used instead of MB 4 Multigate. The configuration has the same openings than MB 4 and 6 extra.

MB 4/10 Multigate will lead through and seal cables as follows:

4 - 9 mm	6 pc
10 - 25 mm	4 pcs

Total of 10 cables

Code	Colour	Ral code	Electrical number	Delivery time	Service temperature *)	Special
105953	Grey	7032	3400370	3 - 4 weeks from PO	-40 – +100 °C	
105954	Light Grey	7035	3400371	From stock	-40 – +100 °C	Material UL 94 V-0 approved

- Packing size 200 pcs/box

*) Service temperature for unstressed material



Multigates

MH 10 Multigate is suitable for leading through both low and medium power current cables as well as various types of tubing. It matches the cut out dimensions for 24-pole standard industrial connectors.

MH 10 Multigate is a new plastic reinforced cable gland made of halogen free polymers. It meets the respective IP enclosure classes and it does not need separate gaskets or glands. This single assembly unit provides innumerable advantages and makes it easy to use.

MH 10 Multigate is suitable for both outdoor and indoor use.

MH 10 Multigate gives protection against limited ingress of dust and against water splashed from all directions.

MH 10 Multigate will lead through and seal cables as follows:

up to 30 mm	2 pcs
up to 18 mm	2 pcs
up to 8 mm	6 pcs

Total of 10 cables

Code	Colour	Electrical number	Delivery time	Service temperature *)	Special
106748	Black	3400364	From Stock	-40 – +90 °C	Material V-0

*) Service temperature for unstressed material

MH 25



MH 25 Multigate is suitable for leading through both low and medium power current cables as well as various types of tubing. It matches the cut out dimensions for 24-pole standard industrial connectors.

MH 25 Multigate is a new plastic reinforced cable gland made of halogen free polymers. It meets the respective IP enclosure classes and it does not need separate gaskets or glands. This single assembly unit provides innumerable advantages and makes it easy to use.

MH 25 Multigate is suitable for both outdoor and indoor use.

MH 25 Multigate gives total protection against ingress of dust and against water splashed from all directions.

MH 25 Multigate will lead through and seal cables as follows:

10 - 20 mm	1 pc
6 - 12 mm	4 pcs
6 - 9 mm	8 pcs
3 - 7 mm	9 pcs
3 - 6 mm	3 pcs

Total of 25 cables

Code	Colour	Electrical number	Delivery time	Service temperature *)	Special
106714	Black	3400363	From Stock	-40 – +90 °C	Material V-0

*) Service temperature for unstressed material

MH 27



Multigates

MH 27 Multigate is suitable for leading through both low and medium power current cables as well as various types of tubing. It matches the cut out dimensions for 24-pole standard industrial connectors.

MH 27 Multigate is a new plastic reinforced cable gland made of halogen free polymers. It meets the respective IP enclosure classes and it does not need separate gaskets or glands. This single assembly unit provides innumerable advantages and makes it easy to use.

MH 27 Multigate is suitable for both outdoor and indoor use.

MH 27 Multigate gives total protection against ingress of dust and against water splashed from all directions.

MH-27 Multigate will lead through and seal cables as follows:

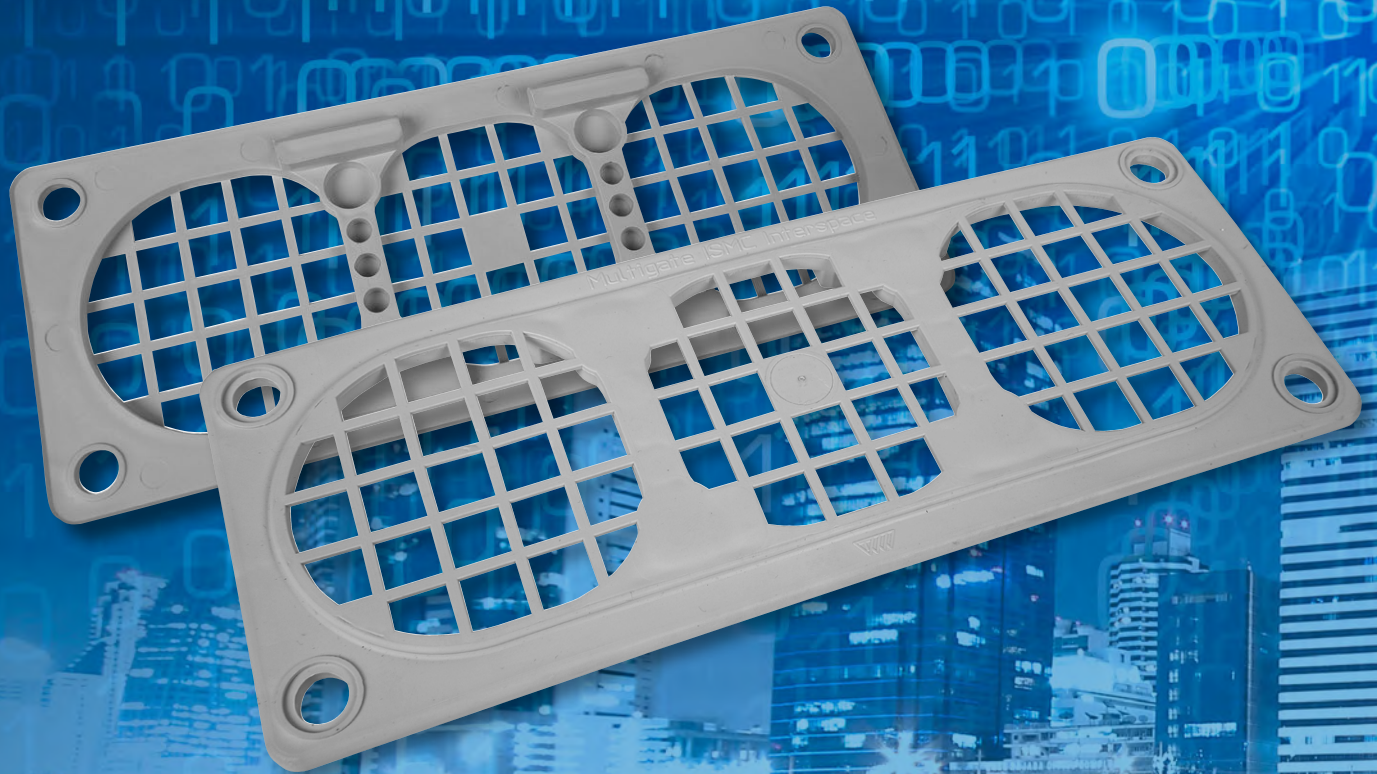
10 - 20 mm	1 pc
3 - 6 mm	26 pcs

Total of 27 cables

Code	Colour	Electrical number	Delivery time	Service temperature *)	Special
106604	Black	3400362	From Stock	-40 – +90 °C	Material V-0

*) Service temperature for unstressed material

ISMC



ISMC Interspace is a cable holding gland plate suitable for leading cables through cabinet walls. The structure can be cut to make it fit for cables with various dimensions. The cables can be led through in an organized way without damaging them with metal edges of the cut out.

Custom made Multigates

Custom made



Multigates

Splitting Multigates

Splitting gland plates for cables with attached connectors

Often with the cables come the connectors and very often the connectors can not be removed and re-attached. The delicate data cables, HDMI's etc. are difficult or impossible to re-join at site. The Trelleborg Splitting Multigate is the solution that lets the cables be installed with the connectors and on top of that the cables can be changed as often as wanted. Choose Trelleborg Splitting Multigate for fast, safe and versatile installations.

MC 2x8-67



MC 1x8-67



SCG 2x3-35





SCG 1x3-35



MC 2/10, MC 2/18 MC 1/9



MC 2x8-67



MC 2x8-67 Multigate is suitable for leading through both low and medium power current cables as well as various types of tubing. It fits directly to a C-standard aperture (or FL 21).

MC 2x8-67 Multigate is plastic reinforced new type of cable gland plate made of various types of polymers. It meets the respective IP enclosure classes as it does

not need separate gaskets or glands which make it very easy to use, providing innumerable advantages in a single assembly unit.

MC 2x8-67 Multigate is suitable for both outdoor and indoor use.

Multigate will lead through and seal cables as follows:

8 - 67 mm 2 pcs

Total of 2 cables

Code	Colour	Electrical number	Delivery time	Service temperature *)	Special
100074	Black	1732349	From Stock	-40 - +90	Material UL 94 V-0 approved

*) Service temperature for unstressed material

MC 1x8-67



Splitting Multigates

MC 1x8-67 Multigate is suitable for leading through both low and medium power current cables as well as various types of tubing. It fits directly to a C-standard aperture (or FL 21).

MC 1x8-67 Multigate is plastic reinforced new type of cable gland plate made of various types of polymers. It meets the respective IP enclosure classes as it does

not need separate gaskets or glands which make it very easy to use, providing innumerable advantages in a single assembly unit.

MC 1x8-67 Multigate is suitable for both outdoor and indoor use.

Multigate will lead through and seal cables as follows:

8 - 67 mm 1 pcs

Total of 1 cables

Code	Colour	Electrical number	Delivery time	Service temperature *)	Special
106692	Black	3400365	From Stock	-40 – +90 °C	
106582	Black	3400366	3-4 weeks from PO	-40 – +90 °C	Material UL 94 V-0 approved

*) Service temperature for unstressed material

SCG 2x3-35



SCG splitting cable gland is suitable for leading through both low and medium power current cables as well as various types of tubing.

SCG splitting cable gland is plastic reinforced new type of cable gland plate made of various types of polymers. It meets the respective IP enclosure classes as it does not need separate gaskets or glands which makes it very easy to use, providing innumerable advantages in a single assembly unit.

SCG splitting cable gland is suitable for both outdoor and indoor use.

SCG will lead through and seal cables as follows:

3 - 35 mm 2 pcs

Total of 2 cable

Code	Colour	Electrical number	Delivery time	Service temperature *)	Special
105929	Black	3400369	From stock	-40 - +90	Material UL 94 V-0 approved

*) Service temperature for unstressed material

SCG 1x3-35



Splitting Multigates

SCG splitting cable gland is suitable for leading through both low and medium power current cables as well as various types of tubing.

SCG splitting cable gland is plastic reinforced new type of cable gland plate made of various types of polymers. It meets the respective IP enclosure classes as it does not need separate gaskets or glands which makes it very easy to use, providing innumerable advantages in a single assembly unit.

SCG splitting cable gland is suitable for both outdoor and indoor use.

Multigate will lead through and seal cables as follows:

3 - 35 mm	1 pcs
-----------	-------

Total of 1 cables

Code	Colour	Electrical number	Delivery time	Service temperature *)	Special
105928	Black	3400368	From stock	-40 - +90	Material UL 94 V-0 approved

*) Service temperature for unstressed material

MC 2/10 MC 2/18



MC 2/10 & MC2/18 Multigates are suitable for leading through both low and medium power current cables as well as various types of tubing. It fits directly to a C-standard aperture (or FL21) MC 2/10 & MC2/18 provide possibility to assemble various cables with and without connectors.

MC 2/10 & MC2/18 Multigates are plastic reinforced type of cable gland plate made of various types of polymers. It meets the respective IP enclosure classes as it does not need separate gaskets or glands which make it very easy to use, providing innumerable advantages in a single assembly unit.

MC 2/10 Multigate will lead through and seal cables as follows:

8 - 67 mm	1 pcs
5 - 11 mm	2 pcs
5 - 13 mm	2 pcs
up to 14 mm	5 pcs **

Total of 10 cables

MC 2/18 Multigate will lead through and seal cables as follows:

5 - 11 mm	4 pcs
5 - 13 mm	4 pcs
up to 14 mm	10 pcs **

Total of 18 cables

Code	Colour	Electrical number	Delivery time	Service temperature *)	Special
106618	Black		3-4 weeks from PO	-40 – +90 °C	Material UL 94 V-0 approved
106619	Black		3-4 weeks from PO	-40 – +90 °C	Material UL 94 V-0 approved

*) Service temperature for unstressed material

***) Only for cables without connector

MC 1/9



MC 1/9 is suitable for leading through low and medium current cables as well as various types of tubing. The design provides possibility to assemble cables with and without connectors. MC 1/9 is reinforced polymer composite product that meets the respective IP enclosure classes. Furthermore, it does not need separate gaskets or glands which make it easy to install.

MC 1/9 along with MC 2/10 & MC 2/18 variations cover comprehensively customers cabling needs in wide cable diameter range and regardless the attached connector sizes.

Please contact to our technical sales matter of customizing.

MC 1/9 Multigate will lead through and seal cables as follows:

5 - 11 mm	2 pcs
5 - 13 mm	2 pcs
up to 14 mm	5 pcs **

Total of 9 cables

Code	Colour	Electrical number	Delivery time	Service temperature *)	Special
106825	Black		3-4 weeks from PO	-40 – +90 °C	Material UL 94 V-0 approved

*) Service temperature for unstressed material

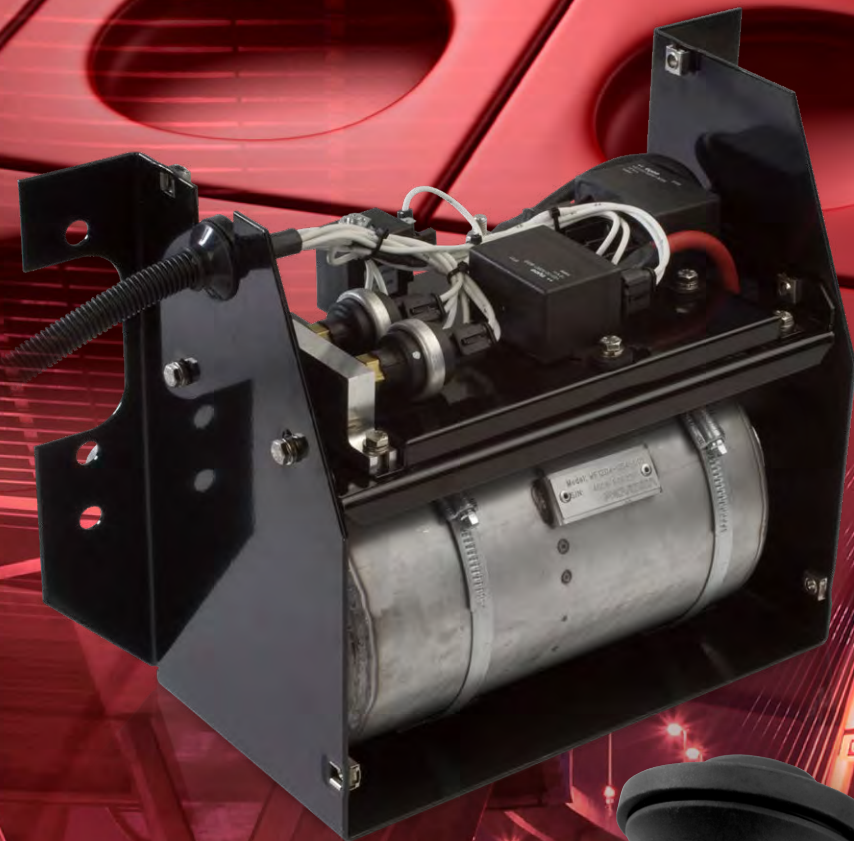
***) Only for cables without connector

Singlegates

Trelleborg Singlegates are grommets with various design based of IP classification or application. These grommets are for leading through both low and medium power current cables as well various types of tubings. There are available Singlegates for openings based of traditional dimensions of PG-dimensions as well as new mm-dimensions.

Trelleborg Singlegates are made of various types of polymers. For electrical applications, all these polymers are RoHS compliant and have excellent weather, UV- and ozone resistance. Also EMC-compatible and oil resistant models are available. For other applications other high quality polymers are available based of application and requirements.

Trelleborg Singlegates are supplied in various types of plastic bags and boxes based of request of customer. Standard packing sizes are available at our homepages, address www.trelleborg.com/en/moulded-components.



Packing size

Item	Packing size
Singlegate GET 3-5	50
Singlegate GET 5-7	50
Singlegate GET 7-10	50
Singlegate GET 10-14	50
Singlegate GET 14-20	25
Singlegate GET 20-26	25
Singlegate GET 26-35	10
Singlegate GET 30-45	5
Singlegate GET 40-60	5

Item	Packing size
Singlegate VET 3-5	50
Singlegate VET 5-7	50
Singlegate VET 8-14	50
Singlegate VET 7-10	50
Singlegate VET 10-14	50
Singlegate VET 14-20	25
Singlegate VET 20-26	25
Singlegate VET 26-35	10





IP67-series

There are available two different design alternatives for PG-openings. Both of these designs gives absolute protection against dust and strong jets of water and also against effects of immersion between 15 cm and 1 m. Model VET is traditional double seal design and T-VET is new design which one is possible to use as a sealing plug also. Also there are available two different design alternatives for mm-openings.

Both of these designs gives absolute protection against dust and strong jets of water and also against effects of immersion between 15 cm and 1 m. Model GET is traditional double seal design and T-GET is new design which one is possible to use as a plug also. With design of GET and T-GET its possible to use cable ties for special strain relief requirements.

IP54-series

There are available two different design alternatives for PG-openings and also for mm-openings. These designs gives protection for limited ingress of dust and against water splashed from all directions. Models with customized preholes for cables and tubes are available.



Trelleborg Singlegate T-VET -grommets are for leading through both low and medium power current cables as well various types of tubing.

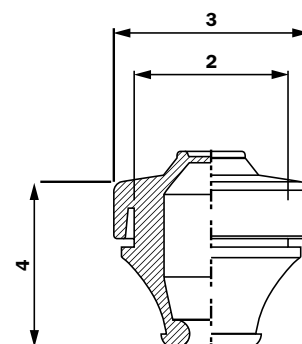
The grommets are suitable for indoor and outdoor applications. The grommets fits to openings made with dimensions of PG. Model T-VET has new double seal design where top side of the grommet is closed and is therefore possible to use as plug also.

Trelleborg Singlegate T-VET -grommets have alternative models for cables between diameters of 3 mm up to 35 mm. Wall thickness can be between 1 to 4 mm. The design gives IP67

protection against dust and strong jets of water and also against effects of immersion between 1.5 cm and 1 m.

Trelleborg Singlegate T-VET -grommets are available as standard of TPE-materials on table below. As request also other colours and materials like conductive EMC-material are available.

Trelleborg Singlegate T-VET-grommets are inspected and certified by SGS.



Code	Material	Colour	Ral code	Classifications	Electrical number	Cable diameter	2	3	4	Plate thickness
100744	TPE-S	Grey	7042		1733328	3-5	13	20	17	1-4
100746	TPE-S	Light Grey	7035	UL 94;V-0	1733329	3-5	13	20	17	1-4
100747	TPE-S	Black		UL 94; V-0, Oil resistant	1733330	3-5	13	20	17	1-4
100186	TPE-S	Grey	7042		1733331	5-7	16	20	19	1-4
100749	TPE-S	Light Grey	7035	UL 94;V-0	1733332	5-7	16	20	19	1-4
100187	TPE-S	Black		UL 94; V-0, Oil resistant	1733333	5-7	16	20	19	1-4
100465	TPE-S	Grey	7042		1733334	7-10	19	24	21	1-4
100751	TPE-S	Light Grey	7035	UL 94;V-0	1733335	7-10	19	24	21	1-4
100188	TPE-S	Black		UL 94; V-0, Oil resistant	1733336	7-10	19	24	21	1-4
100189	TPE-S	Grey	7042		1733337	10-14	23	29	23	1-4
100190	TPE-S	Light Grey	7035	UL 94;V-0	1733338	10-14	23	29	23	1-4
100191	TPE-S	Black		UL 94; V-0, Oil resistant	1733339	10-14	23	29	23	1-4
100753	TPE-S	Grey	7042		1733340	14-20	29	34	26	1-4
100192	TPE-S	Light Grey	7035	UL 94;V-0	1733341	14-20	29	34	26	1-4
100193	TPE-S	Black		UL 94; V-0, Oil resistant	1733342	14-20	29	34	26	1-4
100194	TPE-S	Grey	7042		1733343	20-26	38	46	30	1-4
100755	TPE-S	Light Grey	7035	UL 94;V-0	1733344	20-26	38	46	30	1-4
100195	TPE-S	Black		UL 94; V-0, Oil resistant	1733345	20-26	38	46	30	1-4
100196	TPE-S	Grey	7042		1733346	26-35	48	57,5	33	1-4
100197	TPE-S	Light Grey	7035	UL 94;V-0	1733347	26-35	48	57,5	33	1-4
100198	TPE-S	Black		UL 94; V-0, Oil resistant	1733348	26-35	48	57,5	33	1-4



Trelleborg Singlegate VET -grommets are for leading through both low and medium power current cables as well various types of tubing.

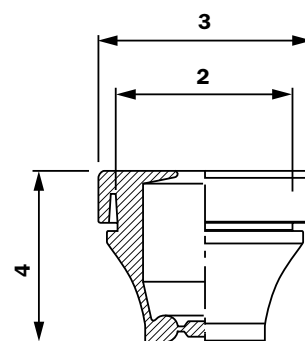
The grommets are suitable for indoor and outdoor applications. The grommets fits to openings made with dimensions of PG. Model VET has traditional double seal design where back side of the grommet is closed.

Trelleborg Singlegate VET -grommets have alternative models for cables between diameters of 3 mm up to 35 mm. Wall thickness can be between 1 to 4 mm. The design gives IP67

protection against dust and strong jets of water and also against effects of immersion between 15 cm and 1 m.

Trelleborg Singlegate VET -grommets are available as standard of materials on table below. As request also other colours and materials like silicones and EMC-models are available.

Trelleborg Singlegate VET-grommets are inspected and certified by SGS.



Code	Material	Colour	Ral code	Electrical number	Cable diameter	2	3	4	Plate thickness
100715	EPDM	Black		1733324	3-5	13.2	20	12,8	1-4
100716	EPDM	Grey	7042	1733325	3-5	13.2	20	12,8	1-4
104010	EPDM	Light Grey	7035	1733326	3-5	13,2	20	12,8	1-4
100306	EPDM	Black		1733320	5-7	16	20	20	1-4
100307	EPDM	Grey	7042	1733321	5-7	16	20	20	1-4
100308	EPDM	Light Grey	7035	1733322	5-7	16	20	20	1-4
100291	EPDM	Black		1733300	8-14	23	28	23,5	1-4
100292	EPDM	Grey	7042	1733301	8-14	23	28	23,5	1-4
100702	EPDM	Light Grey	7035	1733302	8-14	23	28	23,5	1-4
100295	EPDM	Black		1733304	7-10	19	24	21	1-4
100296	EPDM	Grey	7042	1733305	7-10	19	24	21	1-4
100703	EPDM	Light Grey	7035	1733306	7-10	19	24	21	1-4
100297	EPDM	Black		1733308	14-20	29	34	26	1-4
100298	EPDM	Grey	7042	1733309	14-20	29	34	26	1-4
100707	EPDM	Light Grey	7035	1733310	14-20	29	34	26	1-4
100300	EPDM	Black		1733312	20-26	38	46	30	1-4
100301	EPDM	Grey	7042	1733313	20-26	38	46	30	1-4
100709	EPDM	Light Grey	7035	1733314	20-26	38	46	30	1-4
100304	EPDM	Black		1733316	26-35	48	57,5	30	1-4
100305	EPDM	Grey	7042	1733317	26-35	48	57,5	30	1-4
100710	EPDM	Light Grey	7035	1733318	26-35	48	57,5	30	1-4

T-GET



Trelleborg Singlegate T-GET -grommets are for leading through both low and medium power current cables as well various types of tubing.

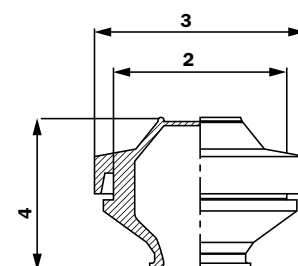
The grommets are suitable for indoor and outdoor applications. The grommets fits to openings made with dimensions of mm. Model T-GET has new double seal design where top side of the grommet is closed and is therefore possible to use as plug also.

Trelleborg Singlegate T-GET -grommets have alternative models for cables between diameters of 3 mm up to 60 mm. Wall thickness can be between 1,2 to 5,2 mm (bigger ones 1,2

to 5,2 mm). The design gives IP67 protection against dust and strong jets of water and also against effects of immersion between 15 cm and 1 m.

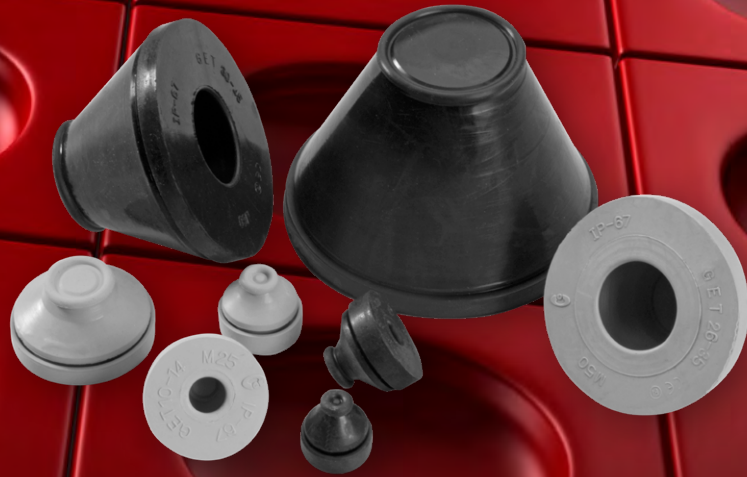
Trelleborg Singlegate T-GET -grommets are available as standard of TPE-materials on table below. As request also other colours and materials like conductive EMC-material are available.

Trelleborg Singlegate T-GET-grommets are inspected and certified by SGS.



Code	Material	Colour	Ral code	Classifications	Electrical number	Cable diameter	2	3	4	Plate thickness
100722	TPE-S	Grey	7042		1733385	3-5	12	19	20,9	1-5
100723	TPE-S	Light Grey	7035	UL 94;V-0	1733386	3-5	12	19	20,9	1-5
100724	TPE-S	Black		UL 94; V-0, Oil resistant	1733387	3-5	12	19	20,9	1-5
100725	TPE-S	Grey	7042		1733388	5-7	16	23	21,6	1-5
100726	TPE-S	Light Grey	7035	UL 94;V-0	1733389	5-7	16	23	21,6	1-5
100727	TPE-S	Black		UL 94; V-0, Oil resistant	1733390	5-7	16	23	21,6	1-5
100728	TPE-S	Grey	7042		1733391	7-10	20	27	24,3	1-5
100729	TPE-S	Light Grey	7035	UL 94;V-0	1733392	7-10	20	27	24,3	1-5
100730	TPE-S	Black		UL 94; V-0, Oil resistant	1733393	7-10	20	27	24,3	1-5
100731	TPE-S	Grey	7042		1733394	10-14	25	32	24,8	1-5
100732	TPE-S	Light Grey	7035	UL 94;V-0	1733395	10-14	25	32	24,8	1-5
100733	TPE-S	Black		UL 94; V-0, Oil resistant	1733396	10-14	25	32	24,8	1-5
100734	TPE-S	Grey	7042		1733397	14-20	32	39	28,1	1-5
100735	TPE-S	Light Grey	7035	UL 94;V-0	1733398	14-20	32	39	28,1	1-5
100736	TPE-S	Black		UL 94; V-0, Oil resistant	1733399	14-20	32	39	28,1	1-5
100737	TPE-S	Grey	7042		1733400	20-26	40	46	31,8	1-5
100183	TPE-S	Light Grey	7035	UL 94;V-0	1733401	20-26	40	46	31,8	1-5
100184	TPE-S	Black		UL 94; V-0, Oil resistant	1733402	20-26	40	46	31,8	1-5
100738	TPE-S	Grey	7042		1733403	26-35	50	57	39,7	1-5
100739	TPE-S	Light Grey	7035	UL 94;V-0	1733404	26-35	50	57	39,7	1-5
100740	TPE-S	Black		UL 94; V-0, Oil resistant	1733405	26-35	50	57	39,7	1-5
103924	TPE-S	Grey	7042		1733406	30-45	60	69	59,6	1-5
100741	TPE-S	Light Grey	7035	UL 94;V-0	1733407	30-45	60	69	59,6	1-5
100185	TPE-S	Black		UL 94; V-0, Oil resistant	1733408	30-45	60	69	59,6	1-5
100743	TPE-S	Black		UL 94; V-0, Oil resistant	1733411	40-60	80	89	78,2	1,2-5,2

GET



Singlegates

Trelleborg Singlegate GET -grommets are for leading through both low and medium power current cables as well various types of tubing.

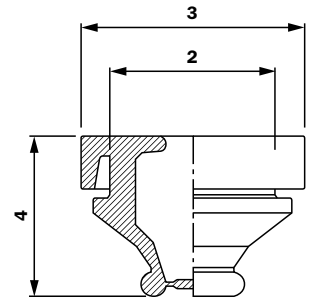
The grommets are suitable for indoor and outdoor applications. The grommets fits to openings made with dimensions of mm. Model GET has traditional double seal design where back side of the grommet is closed.

Trelleborg Singlegate GET -grommets have alternative models for cables between diameters of 3 mm up to 60 mm. Wall thickness can be between 1,3 to 5 mm. The design gives IP67

protection against dust and strong jets of water and also against effects of immersion between 15 cm and 1 m.

Trelleborg Singlegate GET -grommets are available as standard of materials on table below. As request also other colours and materials like EMC-models are available.

Trelleborg Singlegate GET-grommets are inspected and certified by SGS.



Code	Material	Colour	Ral code	Electrical number	Cable diameter	2	3	4	Plate thickness
100589	EPDM	Black		1733381	3-5	12,2	19	18,5	1,3-5
100590	EPDM	Grey	7042	1733382	3-5	12,2	19	18,5	1,3-5
104018	SILICONE Q	Red		1733384	3-5	12,2	19	18,5	1,3-5
100587	EPDM	Black		1733377	5-7	16,2	23	18,5	1,3-5
100231	EPDM	Grey	7042	1733378	5-7	16,2	23	18,5	1,3-5
104016	SILICONE Q	Red		1733380	5-7	16,2	23	18,5	1,3-5
100578	EPDM	Black		1733361	7-10	20,2	27	19,5	1,3-5
100226	EPDM	Grey	7042	1733362	7-10	20,2	27	19,5	1,3-5
100581	SILICONE Q	Red		1733364	7-10	20,2	27	19,5	1,3-5
100574	EPDM	Black		1733361	10-14	25,2	32	19,5	1,3-5
100167	EPDM	Grey	7042	1733362	10-14	25,2	32	19,5	1,3-5
100576	SILICONE Q	Red		1733364	10-14	25,2	32	19,5	1,3-5
100227	EPDM	Black		1733365	14-20	32,2	39	21,5	1,3-5
100228	EPDM	Grey	7042	1733366	14-20	32,2	39	21,5	1,3-5
102263	SILICONE Q	Red		1733368	14-20	32,2	39	21,5	1,3-5
100583	EPDM	Black		1733369	20-26	40,2	47	24	1,3-5
100584	EPDM	Grey	7042	1733370	20-26	40,2	47	24	1,3-5
100585	SILICONE Q	Red		1733372	20-26	40,2	47	24	1,3-5
100229	EPDM	Black		1733373	26-35	50,2	58	30	1,3-5
100230	EPDM	Grey	7042	1733374	26-35	50,2	58	30	1,3-5
104014	SILICONE Q	Red		1733376	26-35	50,2	58	30	1,3-5
100223	EPDM	Black		1733349	30-45	60,2	69	45	1,3-5
100224	EPDM	Grey	7042	1733350	30-45	60,2	69	45	1,3-5
102258	SILICONE Q	Red		1733352	30-45	60,2	69	45	1,3-5
100573	EPDM	Black		1733353	40-60	80,2	90	60	1,3-5
100225	EPDM	Grey	7042	1733354	40-60	80,2	90	60	1,3-5
104013	SILICONE Q	Red		1733356	40-60	80,2	90	60	1,3-5

T-GD

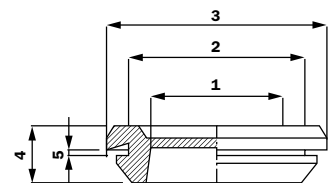


Trelleborg Singlegate T-GD-grommets are for leading through both low and medium power current cables as well various types of tubing.

The grommets are suitable for indoor and outdoor applications. The grommets fits to openings made with dimensions of PG.

Trelleborg Singlegate T-GD-grommets have alternative models for cables between diameters

of 9 mm up to 69 mm. Wall thickness can be between 1 to 2 mm and bigger ones 1,5 to 3 mm. The design gives protection for limited ingress of dust and against water splashed from all directions. Models with customized preholes for cables and tubes are available.



Code	Material	Colour	Ral code	Flame resistance	Electrical number	Cable diameter	1	2	3	4	5
100174	TPE-S	Black		UL 94; V-0	1733412	9	9	15,5	20	7	1-2
100175	TPE-S	Black		UL 94; V-0	1733413	11	11	18,5	23	7	1-2
100176	TPE-S	Black		UL 94; V-0	1733414	13,5	13,5	20,5	25	7	1-2
100177	TPE-S	Black		UL 94; V-0	1733415	16	16	22,5	28	7	1-2
100178	TPE-S	Black		UL 94; V-0	1733416	21	21	28	35	9	1-2
100179	TPE-S	Black		UL 94; V-0	1733417	29	29	37	44	10	1-2
100180	TPE-S	Black		UL 94; V-0	1733418	36	36	47	54	12	1,5-3
100181	TPE-S	Black		UL 94; V-0	1733419	48	48	60	68	12	1,5-3
100182	TPE-S	Black		UL 94; V-0	1733420	53	53	64	75	12	1,5-3
100721	TPE-S	Black		UL 94; V-0	1733421	69	69	79	90	12	1,5-3

T-GDM



Singlegates

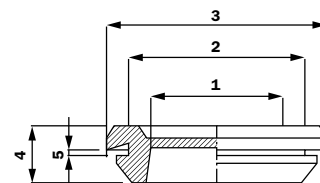
Trelleborg Singlegate T-GDM-grommets are for leading through both low and medium power current cables as well various types of tubing.

The grommets are suitable for indoor and outdoor applications. The grommets fits to openings made with dimensions of mm.

Trelleborg Singlegate T-GDM-grommets have alternative models for cables between diameters of 9 mm up to 69 mms. Wall thickness can be

between 1 to 2 mms and bigger ones 1,5 to 3 mms. The design gives protection for limited ingress of dust and against water splashed from all directions. Models with customized preholes for cables and tubes are available.

Trelleborg Singlegate T-GDM -grommets are available as standard of materials on table below. As request also other colours and materials like silicones and EMC-models are available.



Code	Material	Colour	Ral code	Flame resistance	Electrical number	Cable diameter	1	2	3	4	5
103665	TPE-S	Black		UL 94; V-0	1733422	9	9	12,2	17	7	1-2
103933	TPE-S	Black		UL 94; V-0	1733423	11	11	16,2	21	7	1-2
100199	TPE-S	Black		UL 94; V-0	1733424	13,5	13,5	20,2	25	7	1-2
100200	TPE-S	Black		UL 94; V-0	1733425	16	16	25,2	31	7	1-2
102342	TPE-S	Black		UL 94; V-0	1733426	21	21	32,2	40	9	1-2
103523	TPE-S	Black		UL 94; V-0	1733427	29	29	40,2	48	10	1-2
104019	TPE-S	Black		UL 94; V-0	1733428	36	36	50,2	58	12	1,5-3
104021	TPE-S	Black		UL 94; V-0	1733429	48	48	60,2	68	12	1,5-3
104022	TPE-S	Black		UL 94; V-0	1733430	53	53	70,2	81	12	1,5-3
104023	TPE-S	Black		UL 94; V-0	1733431	69	69	80,2	91	12	1,5-3

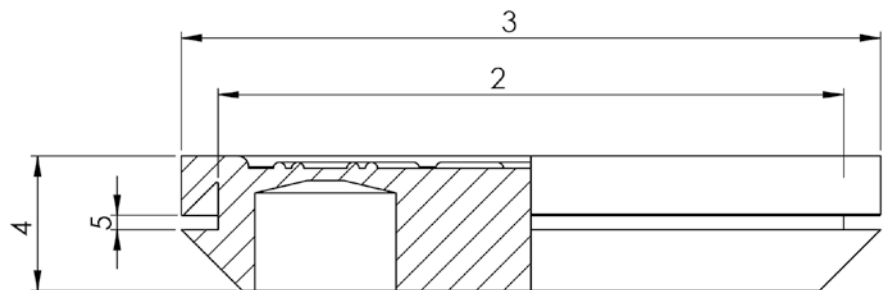
MGD



Trelleborg Singlegate M-GD-grommets are for leading through both low and medium power current cables as well various types of tubing.

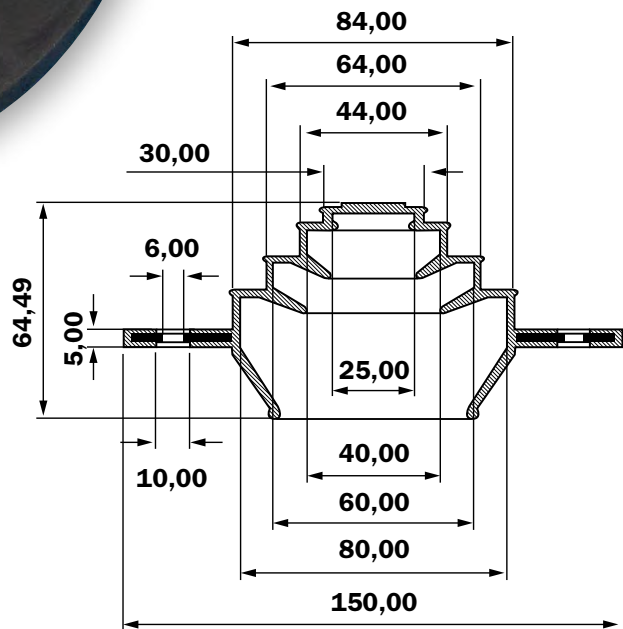
The grommets are suitable for indoor and outdoor applications. The grommets fits to standard M50 opening.

Trelleborg can also offer similar type customized solutions.



Code	Material	Colour	Ral code	Electrical number	Cable diameter	2	3	4	5
106612	TPE-S	Light Grey	7035	1733486	8 x 9 mm & 4 x 13 mm	51	57	11	1-2
106613	TPE-S	Light Grey	7035	1733487	4 x 10 mm & 3 x 16 mm	51	57	11	1-2

M 20-80



Singlegates

Code	Colour	Ral code	Classifications	Delivery time	Electrical number
104048	Gray	7042		3-4 weeks from PO	1733483
104049	Light Grey	7035	UL 94; V-0	3-4 weeks from PO	1733484
101035	Black		UL 94; V-0; Oil resistant	From stock	1733485

Typical properties of materials

TPE (Thermoplastic Elastomer)

- excellent resistance to weathering, ozone and UV exposure
- provides good chemical resistance, and excellent electrical properties
- limited resistance for oils (resists oils as splash)
- flame retardant grades UL 94 V-0, halogen free
- standard hardnesses 25 ShA – 70 ShA
- recyclable
- wide range of colours, easy to customize
- service temperature range -40 to + 100°C
- FDA approved grades available

TPU (Thermoplastic Urethane)

- good resistance to weathering, ozone and UV exposure
- good abrasive properties
- limited resistance for oils (resists oils as splash)
- standard hardnesses 50 ShA – 70 ShA
- recyclable
- wide range of colours, easy to customize
- service temperature range -40 - + 100°C
- FDA approved grades available

TPV (Thermoplastic Vulcanizate)

- show excellent resistance to UV Light; very little change in Delta E
- improved oil and chemical resistance; Exhibit superior chemical resistance over a wide range of temperature (Oils / Petroleum and Sebum, Automotive fluids, aqueous solutions, acids and bases, organic solvents)
- flame retardant grades 50 ShA to 50 ShD, UL 94 V-0
- hardness range 15 ShA to 50 ShD Temperature range continues use up to 125°C and short-term exposure up to 150°C. Brittle point lower than -60°C for most grades. Provides good low-temperature flexibility and impact toughness
- it looks and feels like thermoset rubber
- improved compression set at elevated temperatures (over 70°C)
- medical/food contact grades from 45 ShA to 50 ShD

EPDM (Ethylene Propylene Diene Monomer)

- superior resistance to weathering, ozone and UV exposure
- provides excellent chemical resistance, and good electrical properties
- resists animal and vegetable oils, steam, water and oxygenated solvents
- flame retardant grades UL 94 V-2

- standard hardnesses 40 ShA – 70 ShA
- limited range of colours
- working temperature range -40 to + 120°C
- EMC grades with attenuation around 40 dB

NBR (Nitrile Butadiene Rubber)

- limited weathering resistance
- it is generally resistant to fuel and other chemicals. Also resistant to aliphatic hydrocarbons but less resistant aromatic hydrocarbons, ketones, esters, aldehydes and to ozone
- flame resistance is poor
- hardness range 20 - 95 ShA
- working temperature range of -40 to + 125°C
- environmental performances: colorability, gas permeability and water resistance are excellent
- other physical & mechanical properties: adhesion to metal and rigid materials are excellent, abrasion resistance, compression set and tear resistance are good to excellent

CR (Chloroprene Rubber)

- good weathering resistance, flame retarding. Moderate resistance to petroleum-based fluids
- service temperature -45 to +120°C
- adhesion to many substrates
- good resistance toward chemicals and ageing
- CR in general has good chemical stability and maintains flexibility over a wide temperature range
- hardness range 40 – 95 ShA

Q (Silicone)



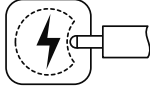
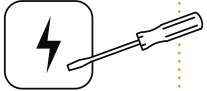

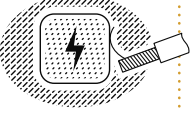

- excellent resistance to weathering, ozone and UV exposure
- also provides excellent chemical resistance and good electrical properties
- resists oils as splash
- flame retardant grades UL 94 V-0
- standard hardnesses 25 ShA – 90 ShA
- wide range of colours, easy to customize
- service temperature range -50 - + 200°C

IP codes

First numeral

Protection against ingress of solid foreign objects






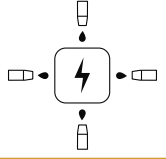
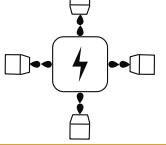
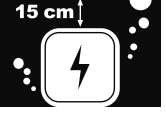

Meaning protection of persons against access to hazardous parts with:

IP	Requirements	Example	
0	No protection		No protection provided
1	Full penetration of 50.0 mm diameter sphere not allowed and shall have adequate clearance from hazardous parts. Contact with hazardous parts not permitted		Back of hand
2	Full penetration of 12.5 mm diameter sphere not allowed. The jointed test finger shall have adequate clearance from hazardous parts		Finger
3	The access probe of 2.5 mm diameter shall not penetrate		Tool
4	The access probe of 1.0 mm diameter shall not penetrate		Wire
5	Limited ingress of dust permitted (no harmful deposit, refer to standard)		Wire
6	Totally protected against ingress of dust		Wire

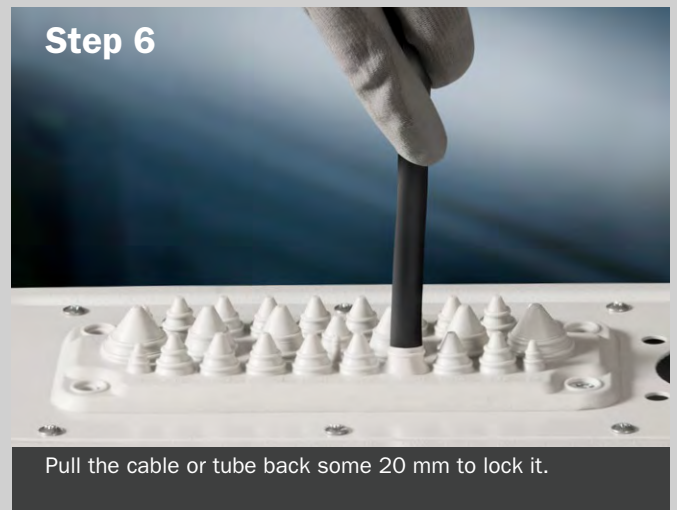
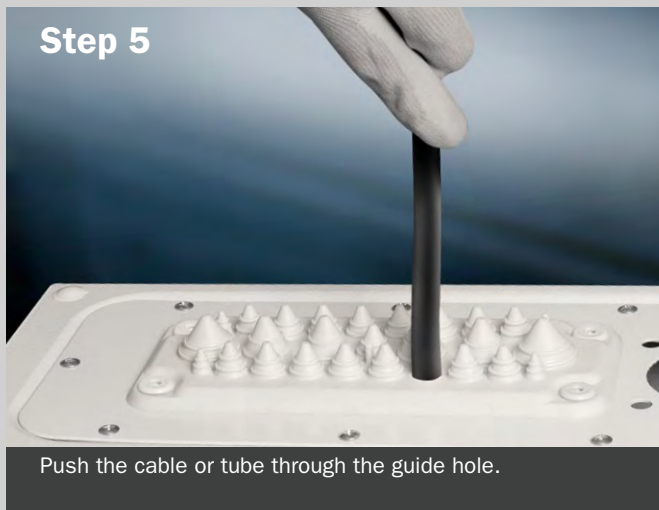
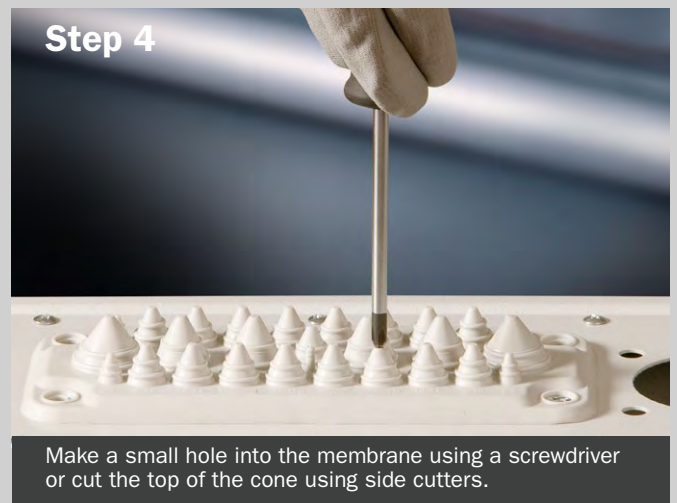
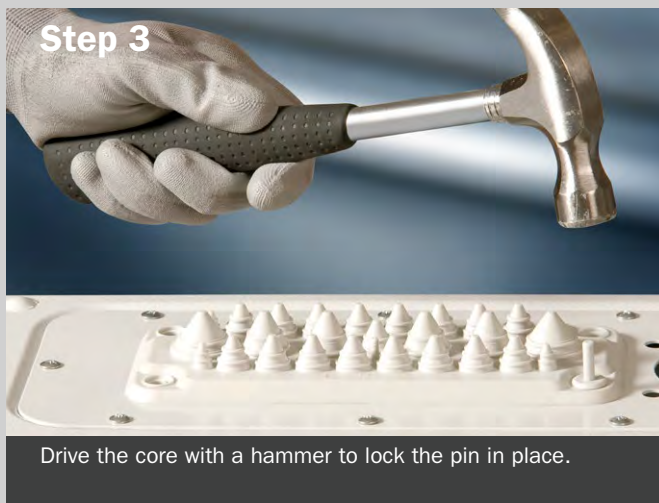
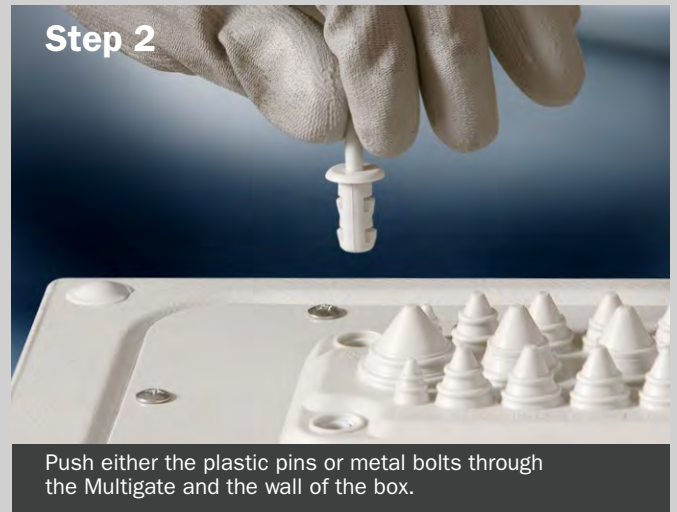
Second numeral

Protection against harmful ingress of water

Meaning for protection from ingress of water:

IP	Requirements	Example	
0	No protection		No protection provided
1	Protected against vertically falling drops of water		Vertically dripping
2	Protected against vertically falling drops of water with enclosure tilted 15° from the vertical.		Enclosure tilted 15° from the vertical
3	Protected against sprays to 60° from the vertical		Limited spraying
4	Protected against water splashed from all directions		Splashing from all directions
5	Protected against lowpressure jets of water from all directions		Hosing jets from all directions
6	Protected against strong jets of water		Strong hosing jets from all directions
7	Protected against the effects of immersion between 15.0 cm and 1.0 m		Temporary immersion
8	Protected against longer periods of immersion under pressure		Immersion


Assembly



Assembly of Singlegates



Step 1



Make appropriate size hole to blind plate or knock-out plate. Avoid rough and sharp edges.

Step 2



Place the grommet on the hole and pull it firmly to its place.

Step 3




Make a small hole into the membrane using a screwdriver or cut the top of the cone using side cutters.

Step 4




Push the cable or tube through the guide hole.

Step 5, backside



Pull the cable or tube back some 20 mm to lock it.

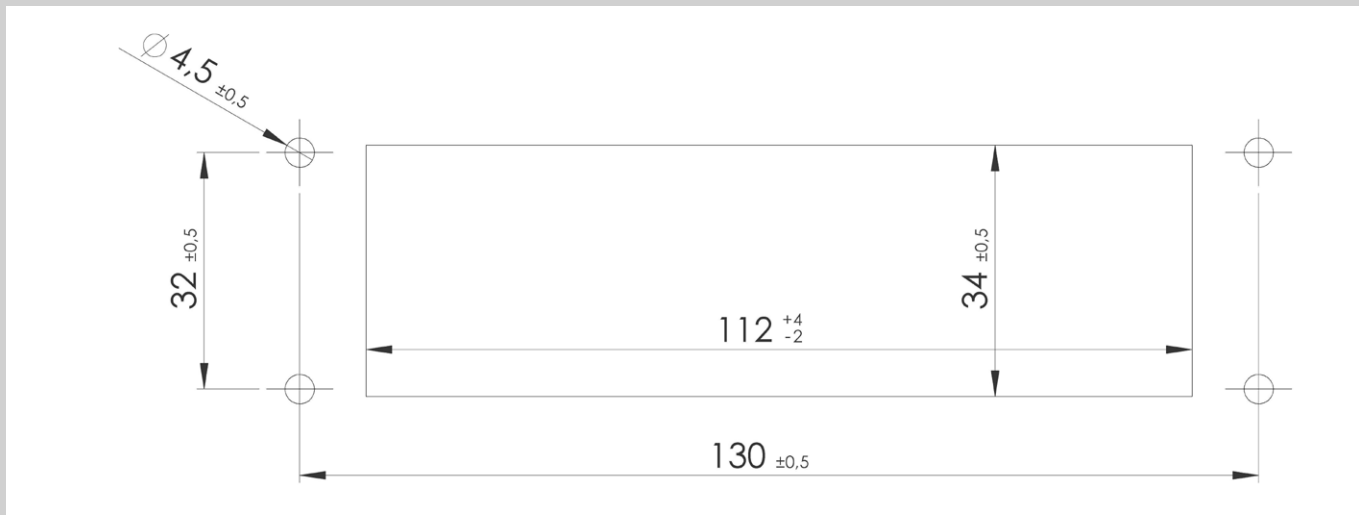
Step 5, frontside



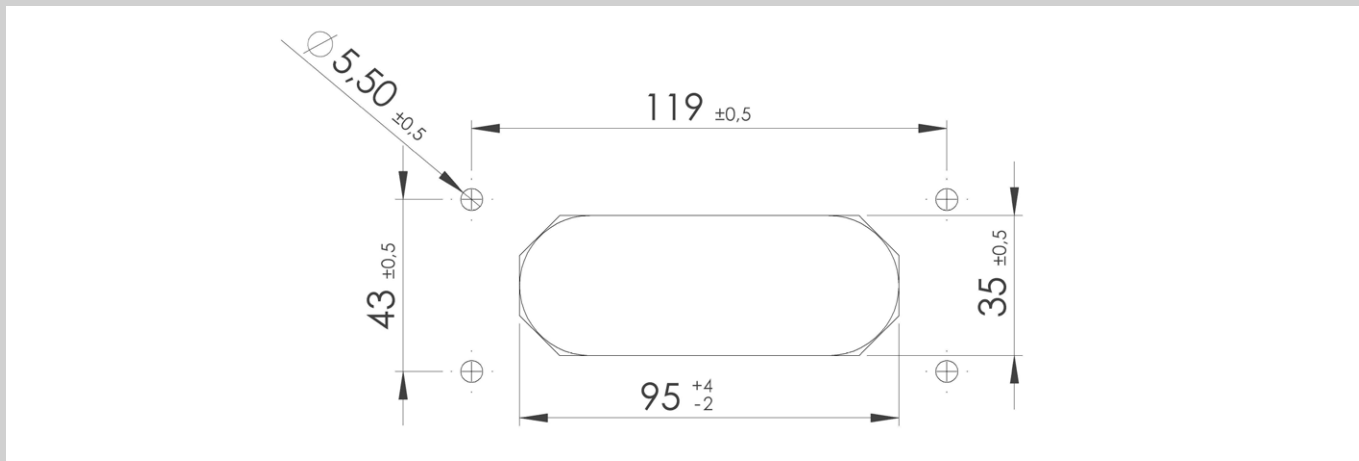
Pull the cable or tube back some 20 mm to lock it.

Fixing details

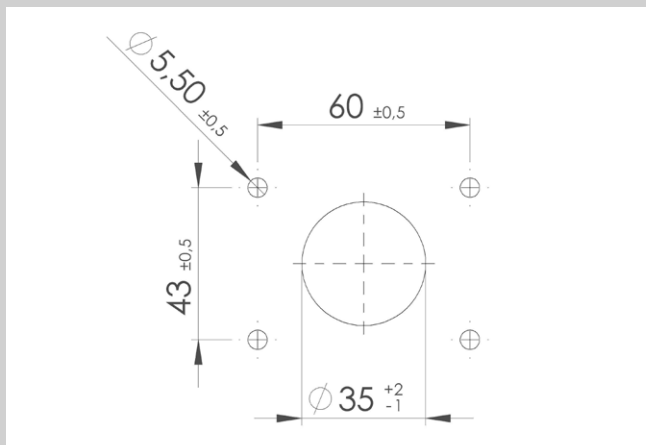
B 24



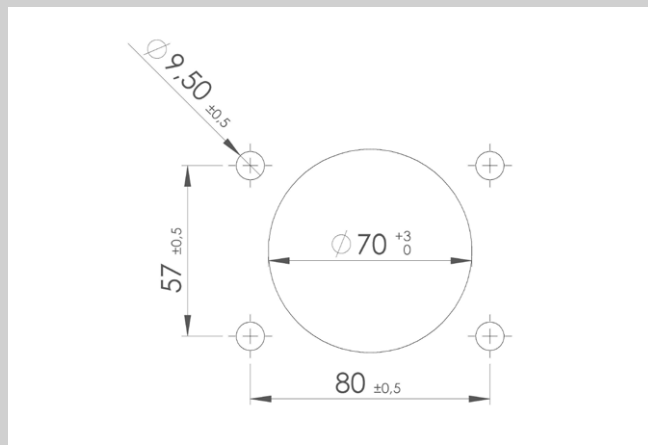
SCG 2



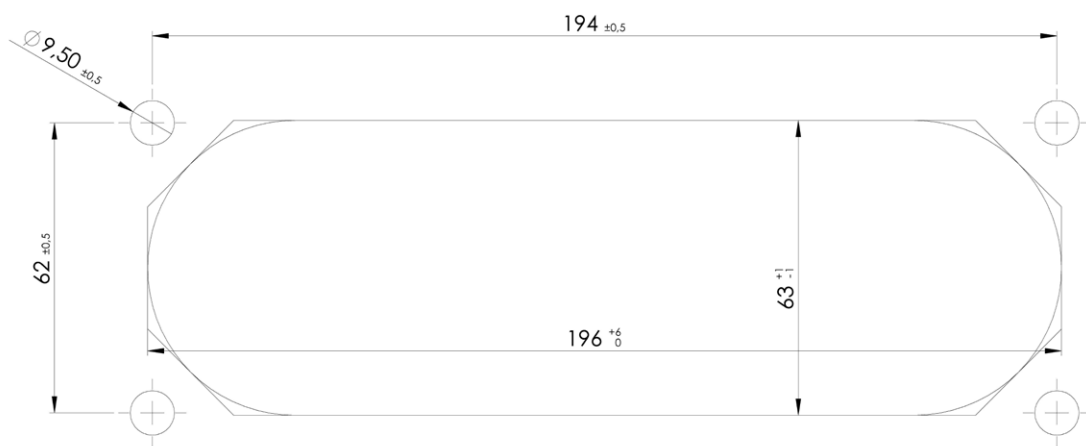
SCG 1



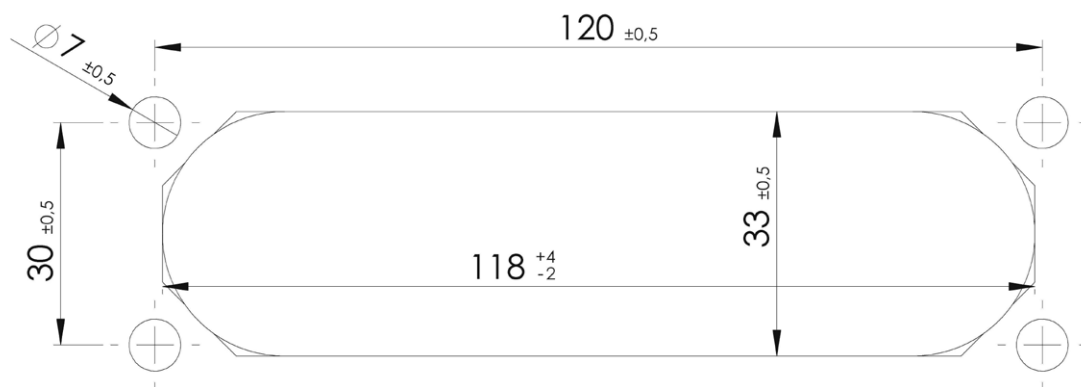
MC 1



FL 21

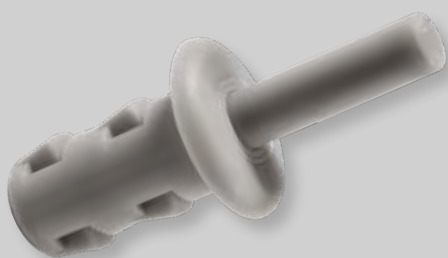


FL 13



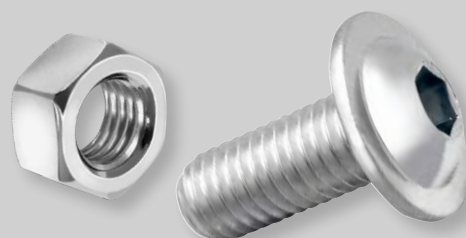
Pin

Primarily used with MC 25 and MC 35 multigates for indoor applications.

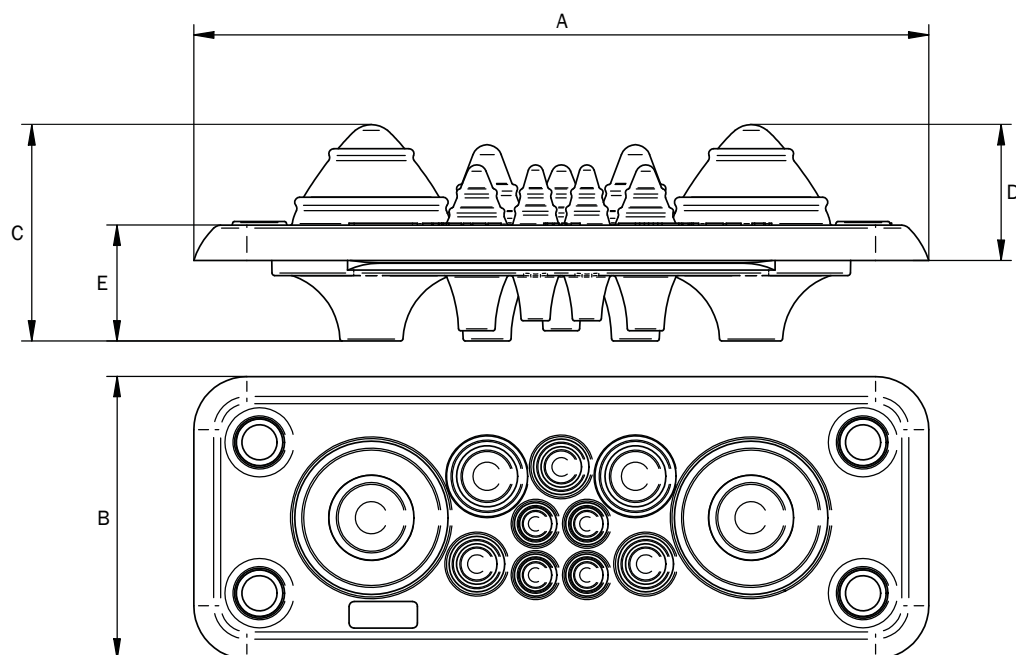


Nut and bolt

Always for outdoor and EMC applications or with large cable sizes, recommended torque 1,8 Nm.



Dimensions



IP66/67-series

Type	Width (A)	Length (B)	Height (C)	Depth 1 (D)	Depth 2 (E)
MC 3/7	222	92	76	53	33
MC 25/27	222	92	43	30	23
MC 35/37	222	92	43	30	23
MB 5/11	147	57	42	26	23

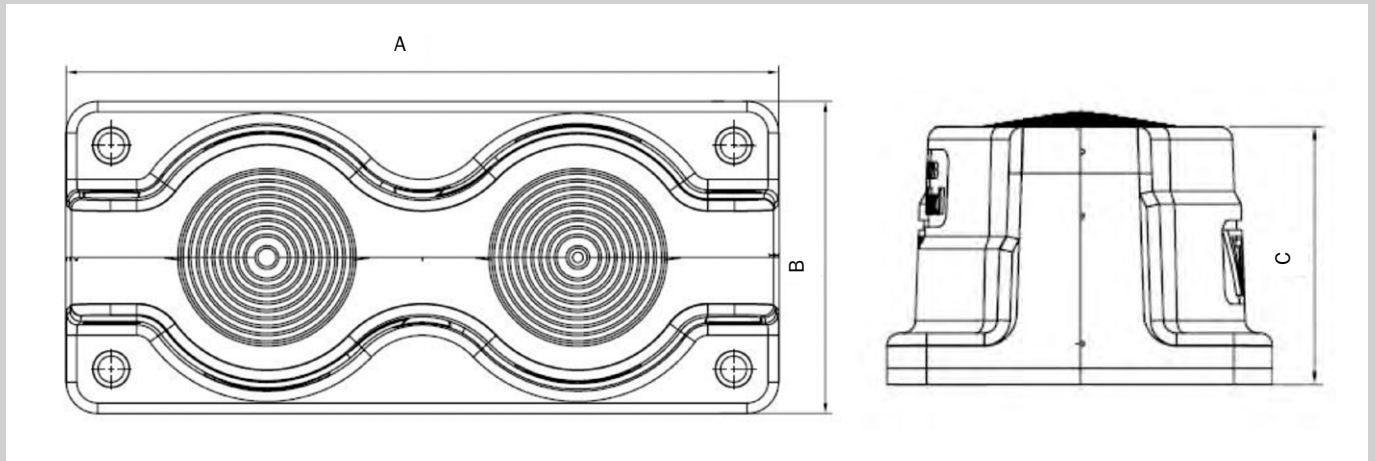
IP65-series

Type	Width (A)	Length (B)	Height (C)	Depth 1 (D)	Depth 2 (E)
MC 3	214	84	37	19	27
MC 25	216	84	27	15	21
MC 35	216	84	31	17	22

IP55 / IP54-series

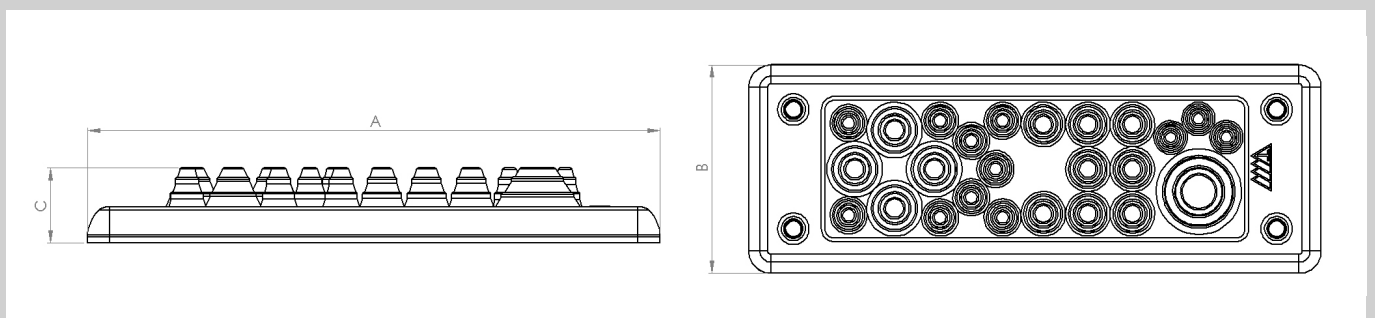
Type	Width (A)	Length (B)	Height (C)	Depth 1 (D)	Depth 2 (E)
MC 10	216	84	48	45	12
MC 16	216	84	31	14	22
MB 4	138	48	32	32	7
LMC 14	222	92	52	52	10
LMC 25	222	92	30	30	10
LMC 51	222	92	30	30	10

Main dimensions



Splitting multigates

Type	Width (A)	Length (B)	Height (C)
SCG 1 x 3 - 35 Splitting Grommet	77	60	40
SCG 2 x 3 - 35 Splitting Grommet	136	60	40
MC 2, MC 2/10, MC 2/18	222	92	75
MC 1, MC 1/9	123	92	75



MH-series

Type	Width (A)	Length (B)	Height (C)
MH 10	154	56	20
MH 25	154	56	20
MH 27	154	56	19



We seal, damp and protect in demanding industrial environments throughout the world.

Trelleborg is a global industrial group whose leading positions are based on advanced polymer technology and in-depth applications know-how.

Trelleborg Industrial Products Finland Oy is a part of Product Area Trelleborg Electrical Protection. We are the leading, flexible developer and manufacturer of elastomer-based innovative custom designed solutions that address the demanding pass-thru and sealing needs of the global telecom, electronics, power and HVAC industries. We serve the customers with fast, high quality product development and rapid prototyping. Our global presence supports multinational co-operation with flexible manufacturing capabilities.

Trelleborg Industrial Products Finland Oy
Kikkerlöntie 72
FI-38300 Sastamala
FINLAND
Tel. +358 3 512 6000
Fax +358 3 512 6020
www.trelleborg.com/en/moulded-components

Trelleborg Moulded Components (Wuxi) Co., Ltd.
No. 8. Zhong Tong Road
New District, Wuxi, JiangSu, PRC 214143
CHINA
Tel. +86 510 8530 8808
Fax +86 510 8530 9208
www.trelleborg.com/china Trelleborg

Trelleborg Industrial Products Sweden AB
Stålgatan 2
SE-703 63 Örebro
SWEDEN
Tel. +46 19 164700
www.trelleborg.com

Industrial Products India Pvt Ltd
19/1 Kalena Agrahara,
Bannerghata Main road
Bangalore - 560076
INDIA
Tel. +91 80 25189700
Fax +91 80 26431109

X-ON Electronics

Largest Supplier of Electrical and Electronic Components

Click to view similar products for [Grommets & Bushings](#) category:

Click to view products by [Trelleborg](#) manufacturer:

Other Similar products are found below :

[M10-036565-101](#) [M10-036565-143](#) [M10-036565-183](#) [205339-4](#) [M10-036565-122](#) [M10-036565-163](#) [3-1991136-0](#) [561-FGUP0850B](#) [561-MP13716](#) [561-FGUP0400N](#) [1398081-1](#) [1301800320](#) [M10-036565-232](#) [2298](#) [4014B](#) [2407](#) [2141-P](#) [HTL-40-10-TPE](#) [2417-P](#) [2917-P](#) [3108-P](#) [2871-P](#) [1342664](#) [51409](#) [HSS-M25-TPE](#) [RAL9005](#) [HTT-21](#) [RAL7035](#) [BDE 16](#) [FEM 15-20 NEW](#) [FMB 5F SET](#) [FMC 25F](#) [FMC 35F](#) [MB 10891 SET](#) [MET-M12](#) [RAL7035](#) [MET-M16](#) [RAL9005](#) [MET-M16](#) [RAL7035](#) [MET-M20](#) [RAL7035](#) [1251349](#) [VET 20-26](#) [RAL7042](#) [VET 5-7](#) [RAL7042](#) [VET 7-10](#) [RAL7042](#) [VET 8-14](#) [RAL7042](#) [100187](#) [100188](#) [100200](#) [100216](#) [100223](#) [100236](#) [10806](#) [12312](#) [12462](#)