



TEB0728 TRM

Revision v.131

Exported on 2019-04-30

Online version of this document:

<https://wiki.trenz-electronic.de/display/PD/TEB0728+TRM>

1 Table of Contents

1	Table of Contents.....	2
2	Table of Figures.....	4
3	Table of Tables.....	5
4	Overview.....	7
4.1	Key Features.....	7
4.2	Block Diagram.....	7
4.3	Main Components.....	8
4.4	Initial Delivery State.....	9
4.5	Configuration Signals.....	9
5	Signals, Interfaces and Pins.....	10
5.1	Board to Board (B2B) I/Os.....	10
5.2	On-board Connector.....	11
5.3	JTAG Interface Base.....	11
5.4	SD Card Socket.....	12
5.5	RJ45 Connector.....	12
6	On-board Peripherals.....	14
6.1	Push button.....	14
6.2	Jumpers.....	14
6.3	LEDs.....	14
7	Power and Power-On Sequence.....	15
7.1	Power Supply.....	15
7.2	Power Supply.....	15
7.3	Power Rails.....	16
8	Board to Board Connectors.....	17
8.1	Connector Mating height.....	17
8.2	Connector Speed Ratings.....	17
8.3	Current Rating.....	18
8.4	Connector Mechanical Ratings.....	18
8.5	Manufacturer Documentation.....	18
8.6	Absolute Maximum Ratings.....	18
8.7	Recommended Operating Conditions.....	18
8.8	Physical Dimensions.....	19
9	Currently Offered Variants.....	20
10	Revision History.....	21
10.1	Hardware Revision History.....	21

10.2	Document Change History	21
11	Disclaimer.....	22
11.1	Data privacy	22
11.2	Document Warranty.....	22
11.3	Limitation of Liability.....	22
11.4	Copyright Notice	22
11.5	Technology Licenses.....	22
11.6	Environmental Protection	22
11.7	REACH, RoHS and WEEE	22

2 Table of Figures

Figure 1: TEB0728 block diagram	7
Figure 2: TEB0728 main components.....	8
Figure 3: Power Connector	15
Figure 4: Physical Dimension.....	19

3 Table of Tables

Table 1: Initial delivery state of programmable devices on the module.....	9
Table 2: Boot process.....	9
Table 3: Reset process.	9
Table 4: General overview of PL I/O signals and SoM's interfaces connected to the B2B connectors.....	10
Table 5: General PL I/O to B2B connectors information	10
Table 6: JTAG interface Base	11
Table 7: On board peripherals.....	12
Table 8: Quad SPI interface MIOs and pins.....	12
Table 9: On-board push button.....	14
Table 10: On-board Jumpers.....	14
Table 11: On-board Jumpers.....	14
Table 12: On-board LEDs	14
Table 13: Power Consumption	15
Table 14: Module power rails.....	15
Table 15: Carrier Power Rails.....	15
Table 16: Connector specifications.	17
Table 17: Connectors.	17
Table 18: Speed rating.	17
Table 19: Module absolute maximum ratings.	18
Table 20: Recommended operating conditions.	18
Table 21: Trenz Electronic Shop Overview	20
Table 22: Hardware Revision History.....	21
Table 23: Document change history.	21

4 Overview

The Trenz Electronic TEB0728 Carrier Board provides functionalities for testing, evaluation and development purposes of company's 6 x 6 cm SoMs. The Carrier Board is equipped with various components and connectors for different configuration setups. See "6 x 6 SoM¹" Carriers" page for more information about 6 x 6 cm SoMs.

Refer to <http://trenz.org/TEB0728-info>² for the current online version of this manual and other available documentation.

4.1 Key Features

- Samtec Tiger Eye Terminal Socket (80 pins, 2 rows)
- Micro SD card socket
- 3 User LEDs, Red, Yellow, Green
- Two RJ45 Gigabit Ethernet socket
- Trenz 6x6 module connector strips (3 x Samtec Tiger Eye series connectors)
- Barrel Jack for 5V power supply
- One user push button

4.2 Block Diagram

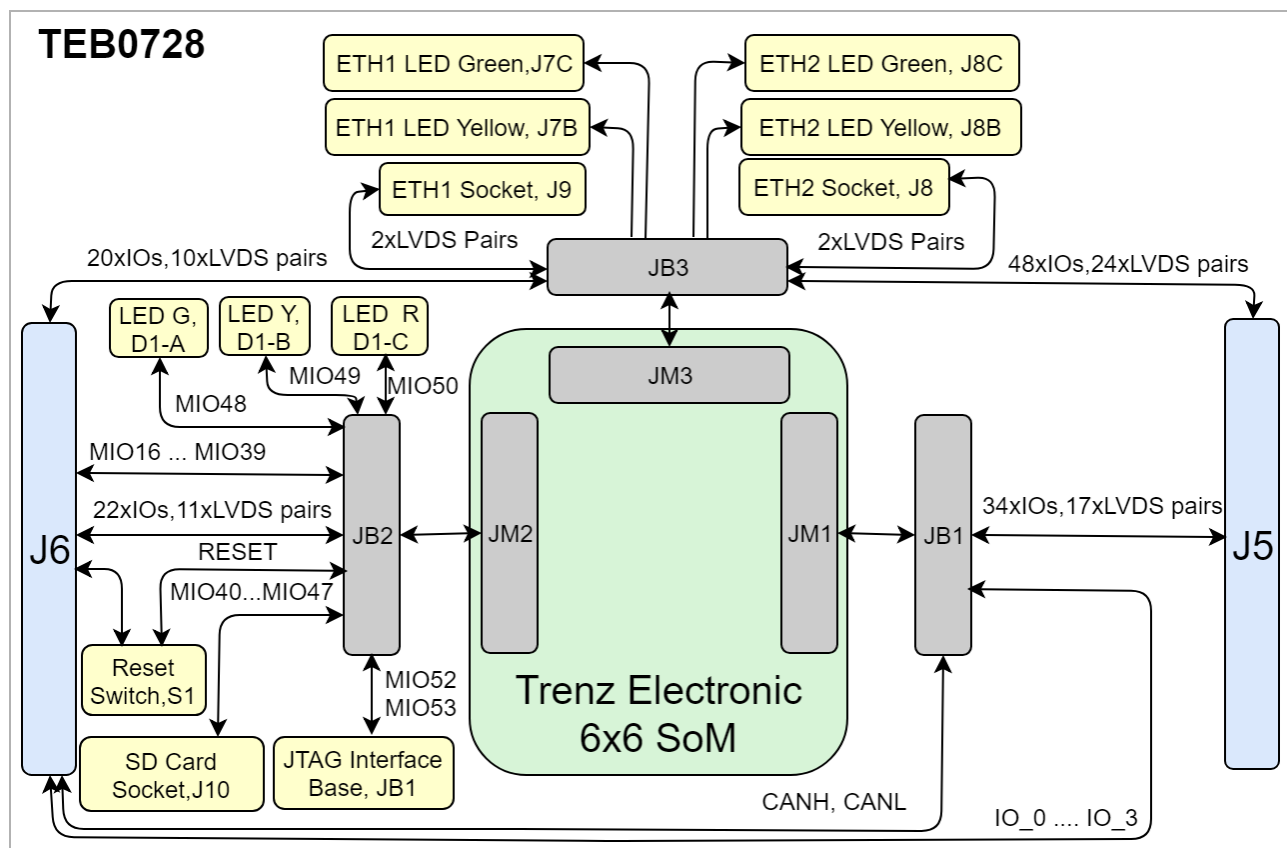


Figure 1: TEB0728 block diagram

1 <https://wiki.trenz-electronic.de/display/PD/6+x+6+SoM+Documentation>

2 <https://wiki.trenz-electronic.de/display/PD/TEB0728>

4.3 Main Components

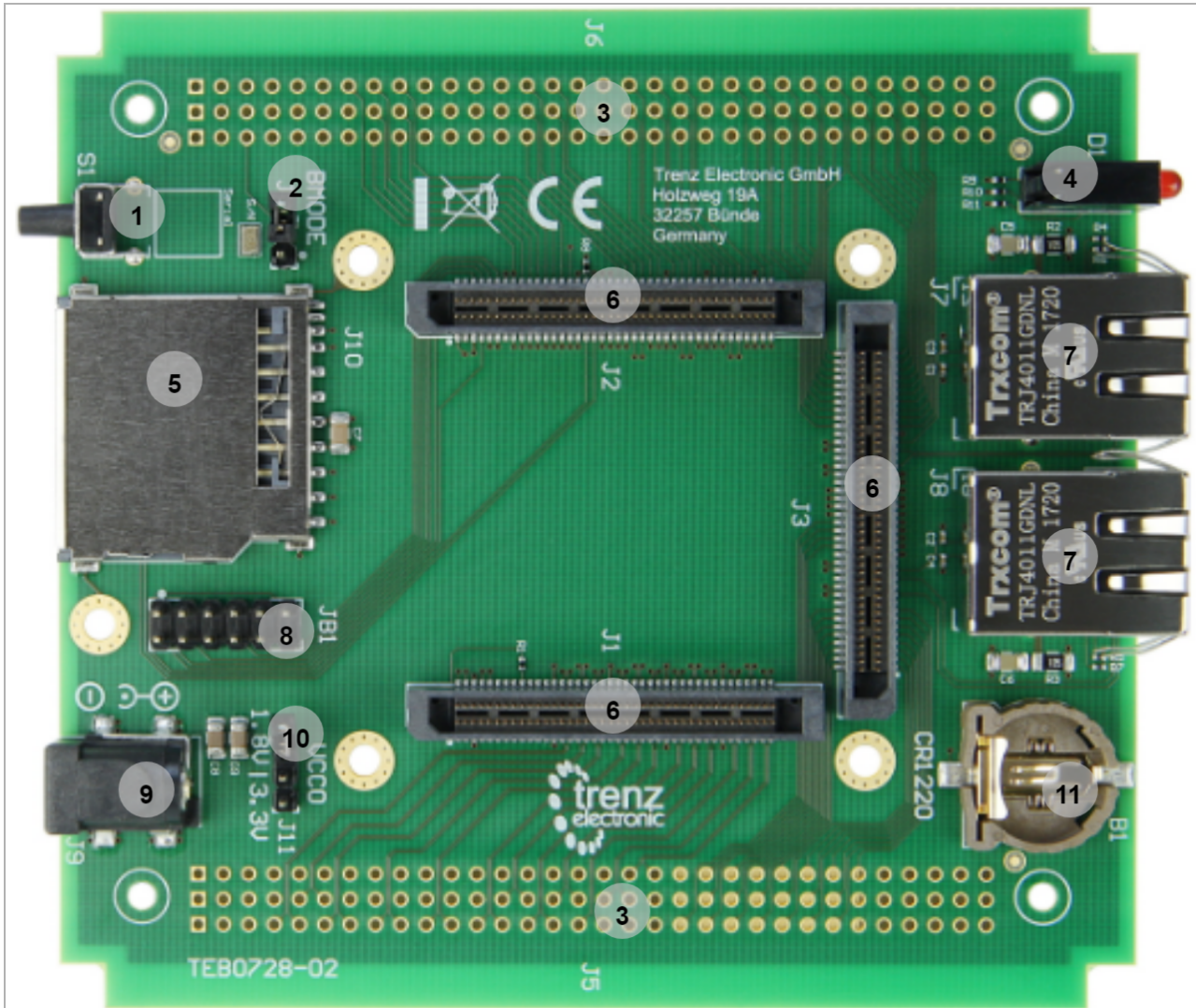


Figure 2: TEB0728 main components

1. User push-button, S1
2. Jumper (Boot Mode), J4
3. External connector (VG96) placeholder, J5 / J6
4. LEDs , D1
5. SD Card Connector, J10
6. Board to Board Connector, J1-J2-J3
7. RJ45 Gigabit Ethernet connector, J7-J8
8. XMOD JTAG- / UART-header, JB1
9. Barrel jack for 5V power supply, J9
10. Jumper(VCCIO_13), J11
11. CR1220 Backup-Battery holder, B1

4.4 Initial Delivery State

There is no hardware component to be programmed on the carrier.

Storage device name	Content	Notes
---	---	---

Table 1: Initial delivery state of programmable devices on the module

4.5 Configuration Signals

Signal	Designator	B2B	Jumper	Boot Mode
Boot_R	J4	J2-11	Open	QSPI
			Short	SD Card

Table 2: Boot process.

There is a user push button which is used for RESET signal.

Signal	Designator	B2B	Active Level
RESET	S1	J2-7	Active High

Table 3: Reset process.

5 Signals, Interfaces and Pins

5.1 Board to Board (B2B) I/Os

Number of I/O signals FPGA bank numbers connected to the B2B connectors:

B2B Connector	Interfaces	Number of I/O	Notes
J1	User I/O	48 single ended, 24 differential	Connected to Bank 13
		4 Single ended	MIO10...13
	CANH , CANL	2 single ended	MIO8, MIO9
J2	User I/O	22 single ended, 11 differential	
		38 single ended	MIO16...53
	SoM Control Signals	5	RESET, RST_OUT, BOOT_R,
	JTAG Interface	4	TCK , TDO, TDI, TMS
J3	User I/O	20 Single ended, 10 differential	Connected to Bank 35
		34 single ended, 17 differential	Connected to Bankd 33
	Ethernet 1	4 single ended, 2 differential	ETH_CTREF , ETH_TD+, ETH_TD- , ETH_RD+, ETH_RD-, ETH_LED1, ETH_LED2, ETH_LED3
	Ethernet 2	4 single ended, 2 differential	ETH_CTREF , ETH_TD+, ETH_TD- , ETH_RD+, ETH_RD-, ETH_LED1, ETH_LED2, ETH_LED3

Table 4: General overview of PL I/O signals and SoM's interfaces connected to the B2B connectors.

5.2 On-board Connector

B2B Connector	Interfaces	Number of I/O	Notes
J5	User I/O	48 single ended, 24 differential	Connected to Bank 13
		34 single ended, 17 differential	Connected to Bank 33
J6	User I/O	42 single ended, 21 differential	
		27 single ended	MIO16... MIO39 + MIO51...53
		4 single ended	MIO10...13
	SoM Control Signals	3	RESET, RST_OUT, BOOT_R
	JTAG Interface	4	TCK , TDO, TDI, TMS
	CANH , CANL	2 single ended	MIO8, MIO9

Table 5: General PL I/O to B2B connectors information

5.3 JTAG Interface Base

JTAG access to the TEB0728 Trenz module is available through B2B connector J2. JTAG Programmer TE0790_02 is provided by Trenz Electronic, More information is available [here](https://wiki.trenz-electronic.de/display/PD/TE0790+TRM)³.

Designator	B2B Pin	XMOD Header JB1	Note
A	J2-15	JB1-3	UART Txd - input
B	J2-16	JB1-7	UART Rxd - Output
C	J2-12	JB1-4	JTAG-TMS
D	J2-10	JB1-8	JTAG-TDI
F	J2-8	JB1-10	JTAG-TDO

³ <https://wiki.trenz-electronic.de/display/PD/TE0790+TRM>

Designator	B2B Pin	XMOD Header JB1	Note
H	J2-6	JB1-12	JTAG-TCK
G	J2-7	JB1-11	RESET will be connected to Push Button on JTAG Programmer
3.3V	-	JB1-5	connected to GND
VIO	J2-2/4	JB1-6	VIO is connected to 3.3V which is supplied by carrier

Table 6: JTAG interface Base

5.4 SD Card Socket

Power supply voltage for SD card holder is 3.3V.

Signals	B2B	Notes
CMD	J2-29	
CLK	J2-34	
DAT0	J2-37	
DAT1	J2-40	
DAT2	J2-32	
CD/DAT3	J2-31	
CD	J2-35	
WP	J2-33	

Table 7: On board peripherals

5.5 RJ45 Connector

Both Ethernet sockets,ETH1 and ETH2, are connected to the Board to Board (B2B) J3 on the carrier.

Signal	ETH1	ETH2	Notes
ETH_TD+	J3-58	J3-28	Transfer
ETH_TD-	J3-56	J3-26	

Signal	ETH1	ETH2	Notes
ETH_RD+	J3_52	J3-22	Receive
ETH_RD-	J3-50	J3-20	
ETH_CTREF	J3_57	J3-25	
ETH_LED1	J3-55	J3-23	Yellow LED- Activity
ETH_LED3	J3-51	J3-19	Green Green- Link

Table 8: Quad SPI interface MIOs and pins

6 On-board Peripherals

6.1 Push button

Designator	Connected to	B2B	Active Level	Note
S1-A	RESET	J2-7	Active high	General Input RESET

Table 9: On-board push button

6.2 Jumpers

Designator	Connected to	B2B	Note
J4	Boot_R	J2-11	Open: QSPI
			Short: SD Card

Table 10: On-board Jumpers

Designator	Connected to	Voltage	Note
J11	VCCIO_13	3.3 V	Pin 1 and the middle pin are connected
		1.8 V	Pin 3 and the middle pin are connected

Table 11: On-board Jumpers

6.3 LEDs

Designator	Color	B2B	Active Level	Note
D1-A	Red	J2-30	Active high	
D1-B	Yellow	J2-38	Active high	
D1-C	Green	J2-36	Active high	

Table 12: On-board LEDs

7 Power and Power-On Sequence

7.1 Power Supply

⚠ No power supply protection circuit on the carrier, module will be powered directly

Single 5V power supply with minimum current capability of 2.5A is recommended to operate the board.

- 5V VIN (inner)
- GND (outer)
-

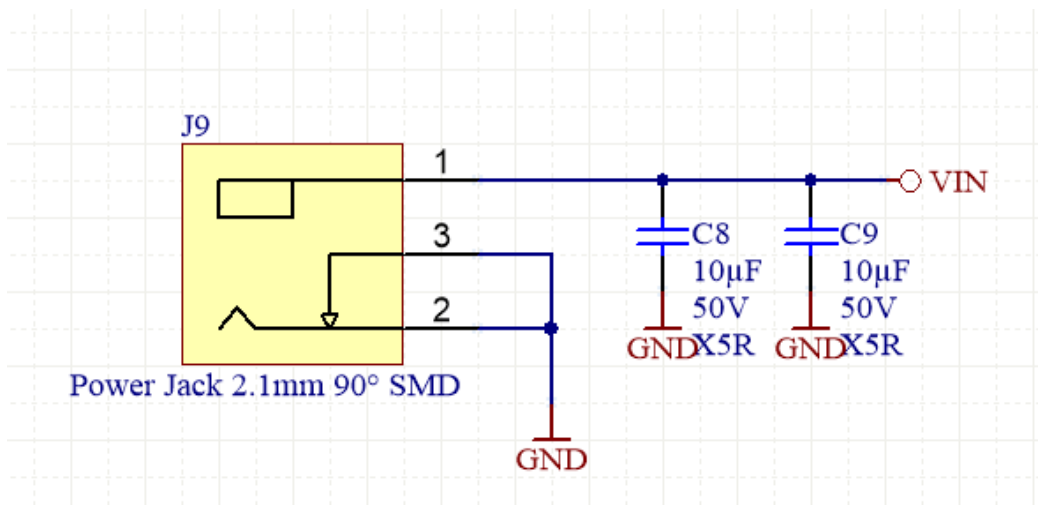


Figure 3: Power Connector

Power Consumption

Power Input Pin	Typical Current
VIN	TBD*
VBATT	TBD*

Table 13: Power Consumption

* TBD - To Be Determined

7.2 Power Supply

Power Rail Name	B2B Connector	Direction	Notes
VIN	J1-1, J1-3	Input	5V

Power Rail Name	B2B Connector	Direction	Notes
VBAT	J2-1	Input	Battery for RTC
VCCO_13	J1-39	Input	Selectable over Jumper J11

Table 14: Module power rails.

7.3 Power Rails

Module Connector (B2B) Designator	VCC / VCCIO	Direction	Pins	Notes
JB1	VIN	Input	1,3	Up to 12V carrier supply voltage
	3.3V	Input	19	PL IO-bank VCCIO
	VCCO_13	Input	39	1.8V or 3.3V
JB2	3.3V	Input	2, 4	3.3V module supply voltage
	1.8V	Input	5	PL IO-bank VCCIO
	VBATT	Input	1	RTC buffer voltage
JB3	-	-	-	-

Table 15: Carrier Power Rails.

8 Board to Board Connectors

6 x 6 modules use two or three [Samtec Micro Tiger Eye Socket Strip](#)⁴ on the bottom side.

- 3 x REF-189018-01 (compatible to TEM-140-02-03.0-H-D-A), (80 pins, "40" per row)

Connector Specifications	Value
Insulator material	Black Liquid Crystal Polymer
Stacking height	6 mm
Contact material	Phosphor-bronze
Plating	Au or Sn over 50 μ" (1.27 μm) Ni
Current rating	2.9 A per pin (2 pins powered)
Operating temperature range	-55 °C to +125 °C
RoHS compliant	Yes

Table 16: Connector specifications.

8.1 Connector Mating height

When using the same type on baseboard, the mating height is 6mm. Other mating heights are possible by using connectors with a different height

Order number	Connector on baseboard	compatible to	Mating height
26056	REF-189018-01	TEM-140-02-03.0-H-D-A	6 mm
	SEM-140-02-03.0-H-D-A	TEM-140-02-03.0-H-D-A	6 mm

Table 17: Connectors.

The module can be manufactured using other connectors upon request.

8.2 Connector Speed Ratings

The LSHM connector speed rating depends on the stacking height; please see the following table:

Stacking height	Speed rating
6 mm, Single-Ended	12 GHz

⁴ <https://shop.trenz-electronic.de/en/26056-Samtec-Micro-Tiger-Eye-REF-189018-01-80-Pins-fuer-TE0728>

Stacking height	Speed rating
10 mm, Differential	17 GHz
6 mm, Single-Ended	14.5 GHz
10 mm, Differential	17.5 GHz

Table 18: Speed rating.

8.3 Current Rating

Current rating of Samtec Micro Tiger Eye Connector™ LSHM B2B connectors is 2.9A per pin (2 adjacent pins powered).

8.4 Connector Mechanical Ratings

- Shock: 100G, 6 ms Sine
- Vibration: 7.5G random, 2 hours per axis, 3 axes total

8.5 Manufacturer Documentation

8.6 Absolute Maximum Ratings

Parameter	Min	Max	Units	Note
VIN supply voltage	--	--	V	• Connected directly to the module power supply, see Module TRM
Storage Temperature	-25	+85	°C	

Table 19: Module absolute maximum ratings.

8.7 Recommended Operating Conditions

Operating temperature range depends also on customer design and cooling solution. Please contact us for options.

Parameter	Min	Max	Units	Note
VIN supply voltage	--	--	V	<ul style="list-style-type: none"> • Connected directly to the module power supply, see Module TRM • 5V recommended for usage with TE0728

Parameter	Min	Max	Units	Note
Operating Temperature	-25	+85	°C	

Table 20: Recommended operating conditions.

8.8 Physical Dimensions

- Module size: 100 mm × 107.7 mm. Please download the assembly diagram for exact numbers.
- Mating height with standard connectors: 7 mm.
- PCB thickness: 1.6 mm.

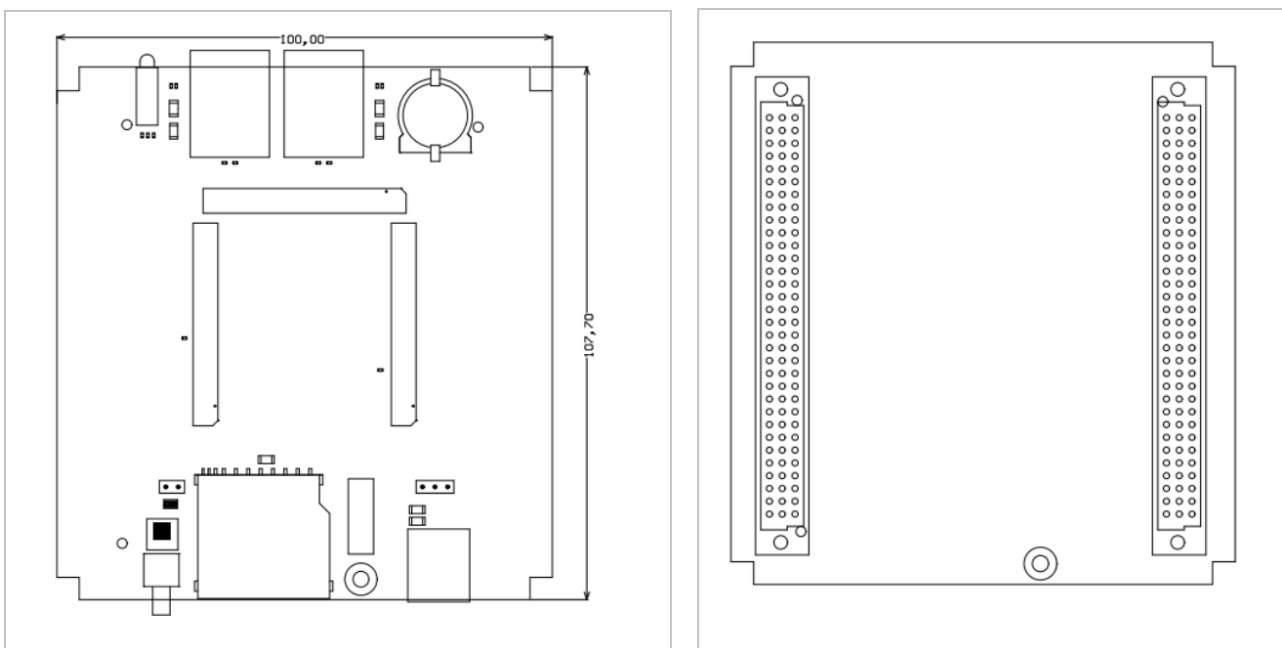


Figure 4: Physical Dimension

9 Currently Offered Variants

Trenz shop TEB0728 overview page	
English page⁵	German page⁶

Table 21: Trenz Electronic Shop Overview

⁵ <https://shop.trenz-electronic.de/en/TEB0728-02-Carrierboard-for-a-TE0728-Automotive-Zynq-7020-SoC-micromodule>

⁶ <https://shop.trenz-electronic.de/de/TEB0728-02-Traegerboard-fuer-TE0728-Automotive-Zynq-7020-SoC-Micromodul>

10 Revision History

10.1 Hardware Revision History

Date	Revision	Changes
2018-07-18	02	<ul style="list-style-type: none"> changed value R1 changed magjack connectors J7, J8 changed 2.1mm power jack THT on SMD magjack connectors: pin8 connected to frame (shassis ground) lib component update added thermal bias to mounting holes added visual serial number changed 2.1mm power jack THT on SMD added 2 x 10uF to VIN
2016-11-02	01	<ul style="list-style-type: none"> ---

Table 22: Hardware Revision History

Hardware revision number is printed on the PCB board next to the module model number separated by the dash.

10.2 Document Change History


Date	Revision	Contributor	Description
 2019-04-29	v.131(see page 6)	John Hartfiel ⁷	<ul style="list-style-type: none"> initial release
--	all	Pedram Babakhani ⁸ , John Hartfiel ⁹	<ul style="list-style-type: none"> --

Table 23: Document change history.

⁷ <https://wiki.trenz-electronic.de/display/~j.hartfiel>

⁸ <https://wiki.trenz-electronic.de/display/~P.Babakhani>

⁹ <https://wiki.trenz-electronic.de/display/~j.hartfiel>

11 Disclaimer

11.1 Data privacy

Please also note our data protection declaration at <https://www.trenz-electronic.de/en/Data-protection-Privacy>

11.2 Document Warranty

The material contained in this document is provided “as is” and is subject to being changed at any time without notice. Trenz Electronic does not warrant the accuracy and completeness of the materials in this document. Further, to the maximum extent permitted by applicable law, Trenz Electronic disclaims all warranties, either express or implied, with regard to this document and any information contained herein, including but not limited to the implied warranties of merchantability, fitness for a particular purpose or non infringement of intellectual property. Trenz Electronic shall not be liable for errors or for incidental or consequential damages in connection with the furnishing, use, or performance of this document or of any information contained herein.

11.3 Limitation of Liability

In no event will Trenz Electronic, its suppliers, or other third parties mentioned in this document be liable for any damages whatsoever (including, without limitation, those resulting from lost profits, lost data or business interruption) arising out of the use, inability to use, or the results of use of this document, any documents linked to this document, or the materials or information contained at any or all such documents. If your use of the materials or information from this document results in the need for servicing, repair or correction of equipment or data, you assume all costs thereof.

11.4 Copyright Notice

No part of this manual may be reproduced in any form or by any means (including electronic storage and retrieval or translation into a foreign language) without prior agreement and written consent from Trenz Electronic.

11.5 Technology Licenses

The hardware / firmware / software described in this document are furnished under a license and may be used / modified / copied only in accordance with the terms of such license.

11.6 Environmental Protection

To confront directly with the responsibility toward the environment, the global community and eventually also oneself. Such a resolution should be integral part not only of everybody's life. Also enterprises shall be conscious of their social responsibility and contribute to the preservation of our common living space. That is why Trenz Electronic invests in the protection of our Environment.

11.7 REACH, RoHS and WEEE

REACH

Trenz Electronic is a manufacturer and a distributor of electronic products. It is therefore a so called downstream user in the sense of REACH¹⁰. The products we supply to you are solely non-chemical products (goods). Moreover and under normal and reasonably foreseeable circumstances of application, the goods supplied to you shall not release any substance. For that, Trenz Electronic is obliged to neither register nor to provide safety data sheet. According to present knowledge and to best of our knowledge, no SVHC (Substances of Very High Concern) on the Candidate List¹¹ are contained in our products. Furthermore, we will immediately and unsolicited inform our customers in compliance with REACH - Article 33 if any substance present in our goods (above a concentration of 0,1 % weight by weight) will be classified as SVHC by the European Chemicals Agency (ECHA)¹².

RoHS

Trenz Electronic GmbH herewith declares that all its products are developed, manufactured and distributed RoHS compliant.

WEEE

Information for users within the European Union in accordance with Directive 2002/96/EC of the European Parliament and of the Council of 27 January 2003 on waste electrical and electronic equipment (WEEE).

Users of electrical and electronic equipment in private households are required not to dispose of waste electrical and electronic equipment as unsorted municipal waste and to collect such waste electrical and electronic equipment separately. By the 13 August 2005, Member States shall have ensured that systems are set up allowing final holders and distributors to return waste electrical and electronic equipment at least free of charge. Member States shall ensure the availability and accessibility of the necessary collection facilities. Separate collection is the precondition to ensure specific treatment and recycling of waste electrical and electronic equipment and is necessary to achieve the chosen level of protection of human health and the environment in the European Union. Consumers have to actively contribute to the success of such collection and the return of waste electrical and electronic equipment. Presence of hazardous substances in electrical and electronic equipment results in potential effects on the environment and human health. The symbol consisting of the crossed-out wheeled bin indicates separate collection for waste electrical and electronic equipment.

Trenz Electronic is registered under WEEE-Reg.-Nr. DE97922676.

 2018-09-18

¹⁰ <http://guidance.echa.europa.eu/>

¹¹ <https://echa.europa.eu/candidate-list-table>

¹² <http://www.echa.europa.eu/>

X-ON Electronics

Largest Supplier of Electrical and Electronic Components

Click to view similar products for [Modules Accessories](#) category:

Click to view products by [Trenz Electronic](#) manufacturer:

Other Similar products are found below :

[7010-0001](#) [AX98219](#) [A1UL8RISER](#) [F1UJPMICRISER](#) [FHW1U16RISER](#) [20-101-0440](#) [MBCDROM](#) [AX61221TM](#) [VM-105](#) [EA](#)
[CARREDIPTFT02](#) [RK-210E-B](#) [E226171106](#) [88606200030E](#) [SI-HDMI-EDID-EM](#) [MIC-75M13-00A1E](#) [FPM-1000T-SMKE](#) [AMK-R004E](#)
[96FMCF-ST2ADAPTER1](#) [AHWKPTP12GBGB](#) [AXXSTCPUCAR](#) [FPK-07-R10](#) [Mini Din 6P to 6P HARNESS](#) [FPF1320 POWER](#)
[MULTIPLEXER CARRIER](#) [881261510A0E](#) [AXXP3SWX08080](#) [conga-B7XD/CSP-Cu-B](#) [881281021A0E](#) [HFT for mounting KIT](#)
[FN928X_FN929X](#) [BB-MH112-1A](#) [15100600](#) [9-5000-1116](#) [BKCMCR1ABB](#) [70763](#) [98R3612003E](#) [881261910A0E](#) [106897](#) [48222R](#) [4D](#)
[ARDUINO ADAPTOR SHIELD II](#) [20926110901](#) [PYCASE GREEN](#) [PYCASE BLUE](#) [FP15072_ZORYA-SC-HEKLA](#) [20952000004](#)
[20953000007](#) [DP-DVI-R10](#) [575-BBIS](#) [RACK-220GW/A130B](#) [492-BBKM](#) [IP411](#) [70760](#)