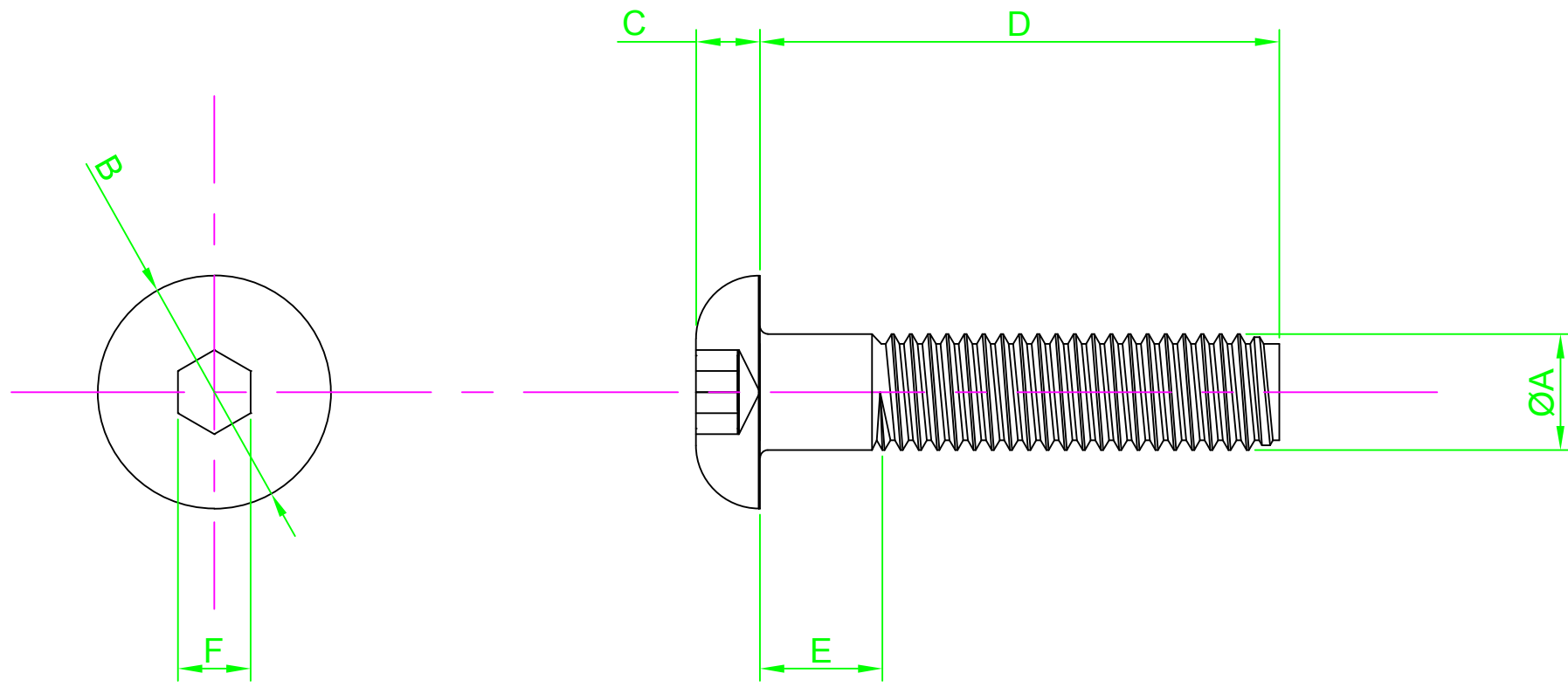


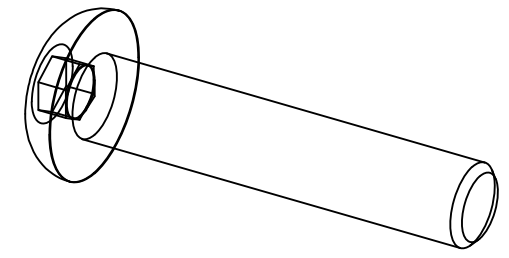
DO NOT SCALE DRAWING



REVISION

A INITIAL DRAWING 08.01.2016

Part Number	ØA	B Max	C Max	D Length	E Max	F Ref
M3 8 BH10MC Z100	M3-0.5	5.7	1.65	8	1.5	2
M3 10 BH10MC Z100				10		
M4 8 BH10MC Z100	M4-0.7	7.6	2.2	8	2.1	2.5
M4 10 BH10MC Z100				10		
M4 16 BH10MC Z100				16		
M5 10 BH10MC Z50	M5-0.8	9.5	2.75	10	2.4	3
M5 20 BH10MC Z50				20		
M6 12 BH10MC Z50	M6-1.0	10.5	3.3	12	3.0	4
M6 20 BH10MC Z50				20		
M6 25 BH10MC Z50				25		



NOTES:



DESIGN RIGHT. TR FASTENINGS LTD, 2003
 UNDER NO CIRCUMSTANCES MUST THIS
 DRAWING BE COPIED OR DISCLOSED
 WITHOUT FIRST OBTAINING WRITTEN
 AUTHORITY.

UNLESS OTHERWISE SPECIFIED:
 DIMENSIONS ARE IN MM (MILLIMETERS).
 SURFACE FINISH:
 TOLERANCES: ISO 7380

	NAME	DATE
DRAWN	Darryl Wilson	08.01.16
CHK'D		
APPVD		

MATERIAL:
 Steel

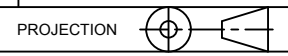
HEAT TREATMENT:
 Grade 10.9

FINISH:
 TC1D - Commercial Zinc/Clear
 De-Embrittled

TITLE:
 Socket Button Head Machine Screw ISO7380

DRAWING NUMBER:
 TR32BH10MC-ZINC

A4



X-ON Electronics

Largest Supplier of Electrical and Electronic Components

Click to view similar products for [tr fastenings manufacturer](#):

Other Similar products are found below :

[3.030PRST30TC1D](#) [5.020PRST30TC1D](#) [N80.750 PRA2ABS100-](#) [M840 KHHTMCS50-](#) [M830 SOHTCSZ50-](#) [M660 SOHTCSS100-](#) [M620 SOHTCSS100-](#) [M612 KHHTMCZ50-](#) [M610 HHA2SCS100-](#) [M620 KHA2MCS50-](#) [M540 PSSTMCZ100-](#) [M516 PSSTMCZ100-](#) [M525 SOHTCSZ100-](#) [M520 PSSTMCZ100-](#) [M510 KHHTMCZ50-](#) [M4- FABRWAN100-](#) [M440 SOA2CSS50-](#) [M430 SOHTCSZ100-](#) [M3- DNST-Z100-](#) [M26 HSHTPCS25-](#) [M1025 SOHTCSZ50-](#) [TRRLCBSR-7-01](#) [M46PTSTMCZ100-](#) [M412PSSTM CB100-](#) [M6 40 HH88BL Z100](#) [M4 25 M4A2MC S50 BUT T20](#) [M6 16 M4A2MC S50 BUT T30](#) [H0.250 25 M4STPB SF T25](#) [H0.250 M7STPB SF HEX 4.0 W/M8/REDE/OE/ST/KG](#) [W/M6/REDE/OE/ST/PG](#) [W/M5/FLG/CE/ST/KG](#) [N61.250 PRA2ABS100-](#) [M8 8 HSHTKC SF -](#) [N81.250 PRA2ABS100-](#) [TRFAKIT0009](#) [M830 SOHTCSS100-](#) [M820 SOHTCSS100-](#) [M6- N5A4-S50-](#) [M680 SOHTCSS100-](#) [M610 HHHTSCZ100-](#) [M6- DNST-Z100-](#) [M620 PRSTM CB100-](#) [M550 PSSTMCZ100-](#) [M516 PRA2MCS100-](#) [M512 BHHTMCS100-](#) [M530 SOHTCSZ100-](#) [M520 HHHTSCZ100-](#) [M4- DNST-Z100-](#) [M425 PSSTMCZ100-](#)