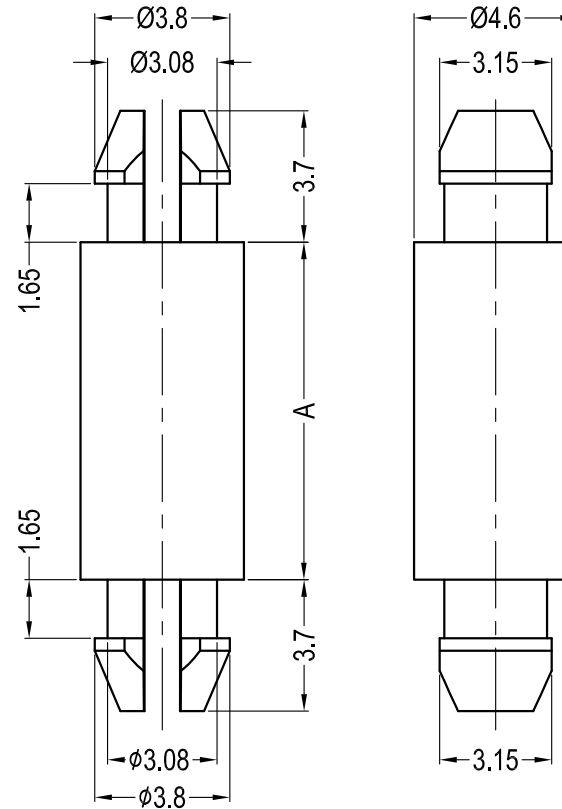


DO NOT SCALE DRAWING

REVISIONS

ZONE	REV.	DESCRIPTION	DATE	APPROVED
	A	DRAWN	08-08-2013	

Part No.	A
TRDLMSPM-2-01	3.2
TRDLMSPM-3-01	4.8
TRDLMSPM-4-01	6.4
TRDLMSPM-5-01	7.9
TRDLMSPM-6-01	9.5
TRDLMSPM-7-01	11.1
TRDLMSPM-8-01	12.7
TRDLMSPM-9-01	14.3
TRDLMSPM-10-01	15.9
TRDLMSPM-11-01	17.5
TRDLMSPM-12-01	19.1
TRDLMSPM-13-01	20.6
TRDLMSPM-14-01	22.2
TRDLMSPM-16-01	25.4
TRDLMSPM-18-01	28.6
TRDLMSPM-20-01	31.7
TRDLMSPM-22-01	34.9
TRDLMSPM-24-01	38.1



Notes:

- Also available in flame retardant nylon(PA66 UL94V-0);
- Top Hole:  $\text{Ø}3.18 \pm 0.05\text{mm}$ , Panel Thickness: 1.57mm;
- Bottom Hole:  $\text{Ø}3.18 \pm 0.05\text{mm}$ , Panel Thickness: 1.57mm.



UNLESS OTHERWISE SPECIFIED:  
DIMENSIONS ARE IN MILLIMETERS.  
SURFACE FINISH:  
TOLERANCES:  
L ≤ 4 = ±0.1 4 < L ≤ 15 = ±0.2  
15 < L ≤ 50 = ±0.3 50 < L ≤ 100 = ±0.4

NAME	DATE
DRAWN MARTIN ELLIOTT	08/08/2013
CHK'D	
APP'VD	

MATERIAL

PA66 UL94 V2

HEAT TREATMENT

N/A

FINISH

NATURAL

TITLE

DUAL LOCKING CIRCUIT BOARD SUPPORT

CUSTOMER PART NO.

DWG NO.

TRDLMSPM-XX-01

A3



DESIGN RIGHT. TR FASTENINGS LTD. 2003  
UNDER NO CIRCUMSTANCES MUST THIS  
DRAWING BE COPIED OR DISCLOSED.  
WITHOUT FIRST OBTAINING WRITTEN  
AUTHORITY.

## **X-ON Electronics**

Largest Supplier of Electrical and Electronic Components

*Click to view similar products for [Standoffs & Spacers](#) category:*

*Click to view products by [TR Fastenings](#) manufacturer:*

Other Similar products are found below :

[588-6208-02](#) [M0609-5-SS](#) [M0655-5-AL](#) [M0660-4-N](#) [M0671-5-N](#) [M0671-5-SS](#) [M0725-6-N](#) [M1273-3005-AL](#) [60187](#) [60202-SP](#) [60273](#)  
[60335-SP](#) [60348-SP](#) [60419-SP](#) [60425-SP](#) [60473-SP](#) [60475-SP](#) [60477-SP](#) [60489-SP](#) [60491-SP](#) [60585-SP](#) [60762-SP](#) [60763-SP](#) [60872-SP](#)  
[M1314-3005-AL](#) [M1314-3005-SS](#) [M1315-4007-N](#) [M1316-3005-N](#) [M1317-3506-SS](#) [M1320-3005-AL](#) [M1322-4007-N](#) [M1326-3005-AL](#)  
[M1577-B-4007-B](#) [M2122-2545-SS](#) [M2140-3005-N](#) [M2145-4007-N](#) [M2147-3506-N](#) [M2148-3005-N](#) [M2162-3506-SS](#) [M2162-4007-N](#)  
[M2162-4007-SS](#) [632A-9206-17](#) [634A-5005-19](#) [634A-7204-17](#) [636A-7108-17](#) [642A-9416-17](#) [643A-7615-19](#) [643A-9612-17](#) [647A-5013-17](#)  
[647A-9687-17](#)