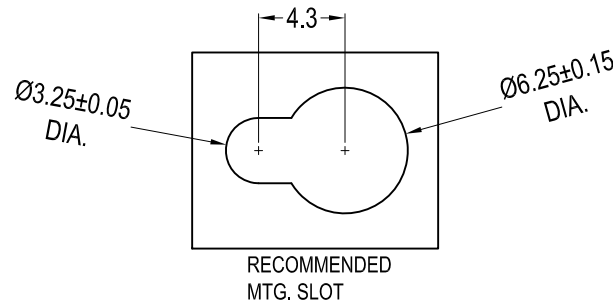
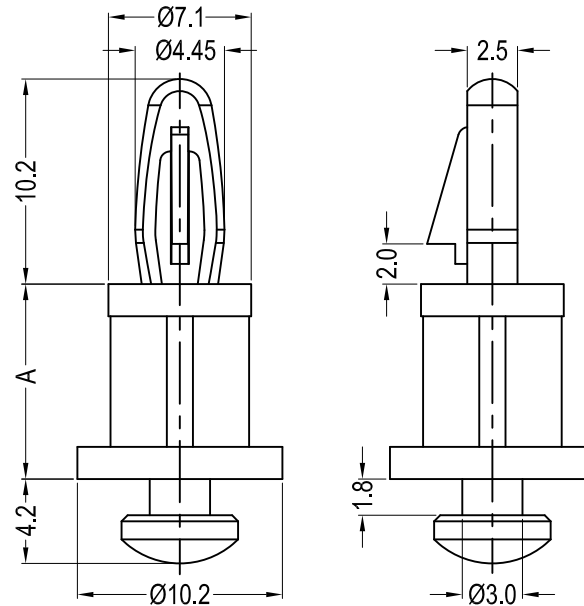


DO NOT SCALE DRAWING

REVISIONS

ZONE	REV.	DESCRIPTION	DATE	APPROVED
	A	DRAWN	22-10-2018	



Part No.	A
TRKSLBN-2-01	3.2
TRKSLBN-4-01	6.4
TRKSLBN-6-01	9.5
TRKSLBN-8-01	12.7

NOTES :

1. Also available in flame retardant nylon(PA66 UL94V-0);
2. Top Hole: Ø4.0±0.08mm, Panel Thickness: 1.57mm;
3. Bottom Hole: See Mounting Key Slot Detail, Panel Thickness: 1.57mm.

UNLESS OTHERWISE SPECIFIED:
DIMENSIONS ARE IN MILLIMETERS.
SURFACE FINISH:
TOLERANCES:
L≤4 = ±0.1 4<L≤15 = ±0.2
15<L≤50 = ±0.3 50<L≤100 = ±0.4

MATERIAL
PA66 UL94V-2
ROHS COMPLIANT

TITLE
KEY SLOT LOCKING PCB SUPPORT

NAME	DATE
DRAWN MARTIN ELLIOTT	22/10/2018
CHK'D	
APP'VD	

HEAT TREATMENT
N/A

DESIGN RIGHT. TR FASTENINGS LTD. 2003
UNDER NO CIRCUMSTANCES MUST THIS
DRAWING BE COPIED OR DISCLOSED.
WITHOUT FIRST OBTAINING WRITTEN
AUTHORITY.

CUSTOMER PART NO.

FINISH
NATURAL

DWG NO.
TRKSLBN-X-01

A3

X-ON Electronics

Largest Supplier of Electrical and Electronic Components

Click to view similar products for [Standoffs & Spacers](#) category:

Click to view products by [TR Fastenings](#) manufacturer:

Other Similar products are found below :

[588-6208-02](#) [M0609-5-SS](#) [M0655-5-AL](#) [M0660-4-N](#) [M0671-5-N](#) [M0671-5-SS](#) [M0725-6-N](#) [M1273-3005-AL](#) [60187](#) [60202-SP](#) [60273](#)
[60335-SP](#) [60348-SP](#) [60419-SP](#) [60425-SP](#) [60473-SP](#) [60475-SP](#) [60477-SP](#) [60489-SP](#) [60491-SP](#) [60585-SP](#) [60762-SP](#) [60763-SP](#) [60872-SP](#)
[M1314-3005-AL](#) [M1314-3005-SS](#) [M1315-4007-N](#) [M1316-3005-N](#) [M1317-3506-SS](#) [M1320-3005-AL](#) [M1322-4007-N](#) [M1326-3005-AL](#)
[M1577-B-4007-B](#) [M2122-2545-SS](#) [M2140-3005-N](#) [M2145-4007-N](#) [M2147-3506-N](#) [M2148-3005-N](#) [M2162-3506-SS](#) [M2162-4007-N](#)
[M2162-4007-SS](#) [632A-9206-17](#) [634A-5005-19](#) [634A-7204-17](#) [636A-7108-17](#) [642A-9416-17](#) [643A-7615-19](#) [643A-9612-17](#) [647A-5013-17](#)
[647A-9687-17](#)