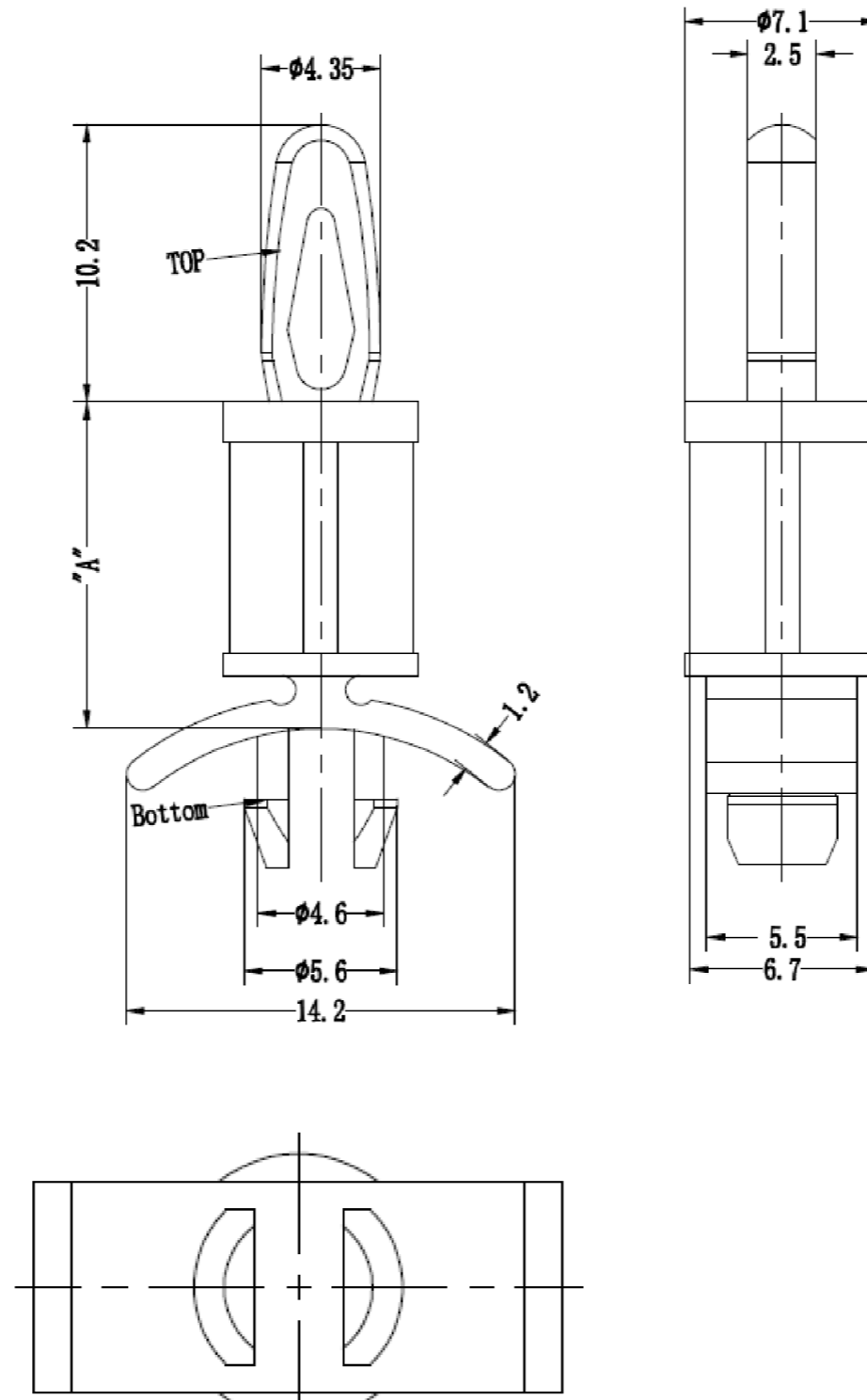


DEBUR AND BREAK SHARP EDGES

DO NOT SCALE DRAWING

REVISION



TRLCBS-3-01	4.8
TRLCBS-4-01	6.4
TRLCBS-5-01	7.9
TRLCBS-6-01	9.5
TRLCBS-7-01	11.1
TRLCBS-8-01	12.7
TRLCBS-10-01	15.9
TRLCBS-12-01	19.1
TRLCBS-14-01	22.2
TRLCBS-16-01	25.4
TRLCBS-18-01	28.6
TRLCBS-20-01	31.7
TRLCBS-22-01	34.9

B Pt.No.TABLE ADDED
M.E. 29/07/14
A DRAWN - 01/07/14

NOTES

1. MATERIAL: NYLON 66 UL-94V2;
2. COLOR: NATURAL;
3. ROHS Compliant;
4. TOP Hole: $\varnothing 4.0 \pm 0.08\text{mm}$
Panel Thickness: 1.57mm.
5. Bottom Hole: $\varnothing 4.75 \pm 0.08\text{mm}$
Panel Thickness: 0.79-1.98mm.



DESIGN RIGHT. TR FASTENINGS LTD, 2003
UNDER NO CIRCUMSTANCES MUST THIS
DRAWING BE COPIED OR DISCLOSED,
WITHOUT FIRST OBTAINING WRITTEN
AUTHORITY.

UNLESS OTHERWISE SPECIFIED:
DIMENSIONS ARE IN MILLIMETERS
SURFACE FINISH:
TOLERANCES:

ISO 2768 m	NAME	DATE
DRAWN	MARTIN ELLIOTT	01/07/14
CHK'D		
APPV'D		

CUSTOMER PART No

MATERIAL:

SEE NOTES

HEAT TREATMENT

N/A

FINISH:

N/A

TITLE:

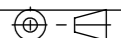
LOCKING CIRCUIT
BOARD SUPPORT

DWG NO.

TRLCBS-X-01

A3

PROJECTION



SHEET 1 OF 1

X-ON Electronics

Largest Supplier of Electrical and Electronic Components

Click to view similar products for [Standoffs & Spacers](#) category:

Click to view products by [TR Fastenings](#) manufacturer:

Other Similar products are found below :

[588-6208-02](#) [M0609-5-SS](#) [M0655-5-AL](#) [M0660-4-N](#) [M0671-5-N](#) [M0671-5-SS](#) [M0725-6-N](#) [M1273-3005-AL](#) [60187](#) [60202-SP](#) [60273](#)
[60335-SP](#) [60348-SP](#) [60419-SP](#) [60425-SP](#) [60473-SP](#) [60475-SP](#) [60477-SP](#) [60489-SP](#) [60491-SP](#) [60585-SP](#) [60762-SP](#) [60763-SP](#) [60872-SP](#)
[M1314-3005-AL](#) [M1314-3005-SS](#) [M1315-4007-N](#) [M1316-3005-N](#) [M1317-3506-SS](#) [M1320-3005-AL](#) [M1322-4007-N](#) [M1326-3005-AL](#)
[M1577-B-4007-B](#) [M2122-2545-SS](#) [M2140-3005-N](#) [M2145-4007-N](#) [M2147-3506-N](#) [M2148-3005-N](#) [M2162-3506-SS](#) [M2162-4007-N](#)
[M2162-4007-SS](#) [632A-9206-17](#) [634A-5005-19](#) [634A-7204-17](#) [636A-7108-17](#) [642A-9416-17](#) [643A-7615-19](#) [643A-9612-17](#) [647A-5013-17](#)
[647A-9687-17](#)