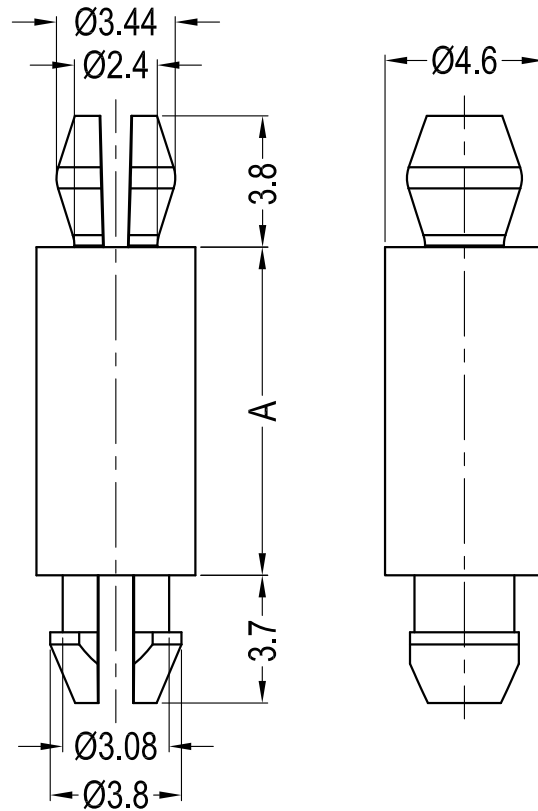


DO NOT SCALE DRAWING

REVISIONS				
ZONE	REV.	DESCRIPTION	DATE	APPROVED
	A	DRAWN	08-08-2013	



Part No.	A
TRMSPM-1S-01	2.54
TRMSPM-1-01	2.0
TRMSPM-2-01	3.2
TRMSPM-4M-01	4.0
TRMSPM-3-01	4.8
TRMSPM-4-01	6.4
TRMSPM-5-01	7.9
TRMSPM-6-01	9.5
TRMSPM-7-01	11.1
TRMSPM-8-01	12.7
TRMSPM-9-01	14.3
TRMSPM-10-01	15.9
TRMSPM-11-01	17.5
TRMSPM-12-01	19.1
TRMSPM-13-01	20.6
TRMSPM-14-01	22.2
TRMSPM-16-01	25.4
TRMSPM-18-01	28.6
TRMSPM-20-01	31.7
TRMSPM-22-01	34.9
TRMSPM-24-01	38.1

Notes:

- 1.RoHS Compliant;
- 2.Top Hole:Ø3.18±0.08mm;  
Panel Thickness:1.57mm;
- 3.Bottom Hole:Ø3.18±0.08mm;  
Panel Thickness:1.57mm;



DESIGN RIGHT. TR FASTENINGS LTD. 2003  
UNDER NO CIRCUMSTANCES MUST THIS  
DRAWING BE COPIED OR DISCLOSED.  
WITHOUT FIRST OBTAINING WRITTEN  
AUTHORITY.

UNLESS OTHERWISE SPECIFIED:  
DIMENSIONS ARE IN MILLIMETERS.  
SURFACE FINISH:  
TOLERANCES:  
L≤4 = ±0.1 4<L≤15 = ±0.2  
15<L≤50 = ±0.3 50<L≤100 = ±0.4

NAME	DATE
DRAWN MARTIN ELLIOTT	08/08/2013
CHK'D	
APP'D	

MATERIAL  
PA66 UL94 V2

HEAT TREATMENT  
N/A

FINISH  
NATURAL

TITLE  
MINI SUPPORT POST

DWG NO.  
TRMSPM-XX-01

A3

## X-ON Electronics

Largest Supplier of Electrical and Electronic Components

*Click to view similar products for [Standoffs & Spacers](#) category:*

*Click to view products by [TR Fastenings](#) manufacturer:*

Other Similar products are found below :

[588-6208-02](#) [M0609-5-SS](#) [M0655-5-AL](#) [M0660-4-N](#) [M0671-5-N](#) [M0671-5-SS](#) [M0725-6-N](#) [M1273-3005-AL](#) [60187](#) [60202-SP](#) [60273](#)  
[60335-SP](#) [60348-SP](#) [60419-SP](#) [60425-SP](#) [60473-SP](#) [60475-SP](#) [60477-SP](#) [60489-SP](#) [60491-SP](#) [60585-SP](#) [60762-SP](#) [60763-SP](#) [60872-SP](#)  
[M1314-3005-AL](#) [M1314-3005-SS](#) [M1315-4007-N](#) [M1316-3005-N](#) [M1317-3506-SS](#) [M1320-3005-AL](#) [M1322-4007-N](#) [M1326-3005-AL](#)  
[M1577-B-4007-B](#) [M2122-2545-SS](#) [M2140-3005-N](#) [M2145-4007-N](#) [M2147-3506-N](#) [M2148-3005-N](#) [M2162-3506-SS](#) [M2162-4007-N](#)  
[M2162-4007-SS](#) [632A-9206-17](#) [634A-5005-19](#) [634A-7204-17](#) [636A-7108-17](#) [642A-9416-17](#) [643A-7615-19](#) [643A-9612-17](#) [647A-5013-17](#)  
[647A-9687-17](#)