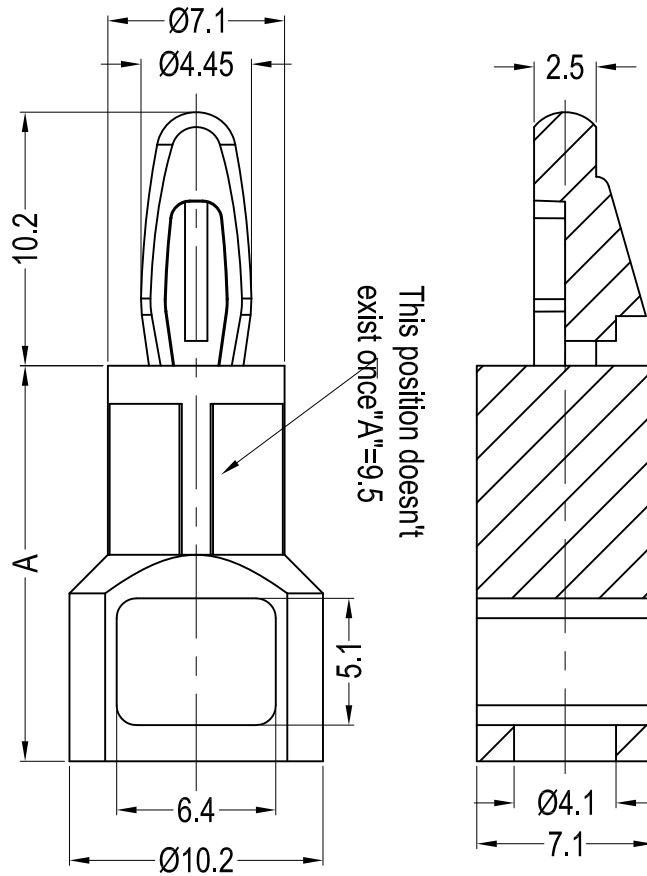


DO NOT SCALE DRAWING

REVISIONS				
ZONE	REV.	DESCRIPTION	DATE	APPROVED
	A	DRAWN	08-08-2013	



Part No.	A
TRSRLCBS-6-01	9.5
TRSRLCBS-7-01	11.1
TRSRLCBS-8-01	12.7
TRSRLCBS-10-01	15.9
TRSRLCBS-12-01	19.1
TRSRLCBS-14-01	22.2
TRSRLCBS-16-01	25.4

Bottom Hole: Snap Rivet: Ø4.1-4.2mm;	
Use TR Snap Rivet	Panel Thickness
TRSR-4040	0.1-0.7
TRSR-4050	0.7-1.6
TRSR-4055	1.2-2.2
TRSR-4060	1.5-2.7
TRSR-4070	2.7-3.7
TRSR-4080	3.7-4.7
TRSR-4090	4.7-5.7
TRSR-4100	5.7-6.7
TRSR-4120	7.2-8.7
TRSR-4155	10.7-12.2

Notes:
 1. RoHS Compliant;
 2. Top Hole: Ø4.0±0.08mm, Panel Thickness: 1.57mm;



UNLESS OTHERWISE SPECIFIED:
 DIMENSIONS ARE IN MILLIMETERS.
 SURFACE FINISH:
 TOLERANCES:
 L ≤ 4 = ±0.1 4 < L ≤ 15 = ±0.2
 15 < L ≤ 50 = ±0.3 50 < L ≤ 100 = ±0.4

NAME	DATE
DRAWN MARTIN ELLIOTT	08/08/2013
CHK'D	
APP'D	

MATERIAL
 PA66 UL94 V2

HEAT TREATMENT
 N/A

FINISH
 NATURAL

TITLE
 SNAP RIVET LOCKING CIRCUIT BOARD SUPPORT

DESIGN RIGHT. TR FASTENINGS LTD. 2003
 UNDER NO CIRCUMSTANCES MUST THIS
 DRAWING BE COPIED OR DISCLOSED,
 WITHOUT FIRST OBTAINING WRITTEN
 AUTHORITY.

CUSTOMER PART NO.

DWG NO.
 TRSRLCBS-XX-01

A3

X-ON Electronics

Largest Supplier of Electrical and Electronic Components

Click to view similar products for [Standoffs & Spacers](#) category:

Click to view products by [TR Fastenings](#) manufacturer:

Other Similar products are found below :

[588-6208-02](#) [M0609-5-SS](#) [M0655-5-AL](#) [M0660-4-N](#) [M0671-5-N](#) [M0671-5-SS](#) [M0725-6-N](#) [M1273-3005-AL](#) [60187](#) [60202-SP](#) [60273](#)
[60335-SP](#) [60348-SP](#) [60419-SP](#) [60425-SP](#) [60473-SP](#) [60475-SP](#) [60477-SP](#) [60489-SP](#) [60491-SP](#) [60585-SP](#) [60762-SP](#) [60763-SP](#) [60872-SP](#)
[M1314-3005-AL](#) [M1314-3005-SS](#) [M1315-4007-N](#) [M1316-3005-N](#) [M1317-3506-SS](#) [M1320-3005-AL](#) [M1322-4007-N](#) [M1326-3005-AL](#)
[M1577-B-4007-B](#) [M2122-2545-SS](#) [M2140-3005-N](#) [M2145-4007-N](#) [M2147-3506-N](#) [M2148-3005-N](#) [M2162-3506-SS](#) [M2162-4007-N](#)
[M2162-4007-SS](#) [632A-9206-17](#) [634A-5005-19](#) [634A-7204-17](#) [636A-7108-17](#) [642A-9416-17](#) [643A-7615-19](#) [643A-9612-17](#) [647A-5013-17](#)
[647A-9687-17](#)