

## ABU125-270

### Description:

The ABU125-270 is a single output power supply. This power supply is designed for a wide variety applications where high reliability is desired, including applications for the industrial and telecommunications markets. Excellent performance specifications are provided, together with compliance to European EMC (EN55022, Class B and EN61000-3-2), and Low Voltage directive.

### Specifications (@25C)

#### Input Characteristics:

<b>Input Voltage:</b>	90-264VAC, 127-373VDC
<b>Input Frequency Range:</b>	47-63Hz
<b>Input Current:</b>	1.6A @ 115VAC, 0.8A @ 230VAC typ.
<b>Max Inrush Current:</b>	30A@115VAC, 60A@230VAC at cold start
<b>Power Factor:</b>	>0.95/230VAC, >0.98/115VAC at full load
<b>Leakage Current:</b>	<2.4mA/240Vac

#### Output Characteristics:

<b>Output Voltage:</b>	27VDC±2.0%Vdc
<b>Output Current (Convection):</b>	0-3.70A
<b>Output Power (Convection):</b>	100W
<b>Adjustable Output Range:</b>	25.7 – 28.3V. Output voltage can be adjusted at VR51
<b>Ripple &amp; Noise<sup>1</sup>:</b>	120mVp-p
<b>Load Regulation:</b>	±1.0%
<b>Line Regulation:</b>	±0.5%
<b>Efficiency:</b>	87.0%
<b>Start-up Time:</b>	1500ms/230VAC, 3000ms/115VAC, full load
<b>Rise-up Time:</b>	30ms/230VAC, 30ms/115VAC, full load
<b>Hold-up Time:</b>	14ms/230VAC, 14ms/115VAC, full load
<b>Over Current Protection:</b>	5.06 – 6.9A. Hiccup mode. Resets automatically once the fault condition is removed.
<b>Over Voltage Protection:</b>	31.1 – 36.4VDC.

#### General Specifications:

<b>Dimension (LxWxH):</b>	127(5.0) x 76.2(3.0) x 27.0(1.05) mm (in)
<b>Weight:</b>	300g
<b>Cooling:</b>	Natural Convection or FAN at 15CFM
<b>Isolation Resistance:</b>	I/P—O/P, I/P—FG, O/P—FG: 500VDC/100M Ohms
<b>Dielectric Strength:</b>	I/P—O/P:3KVAC; I/P—FG:1.5KVAC; O/P—FG:0.5KVAC
<b>Warranty:</b>	3 years
<b>MTBF:</b>	200K hrs. min. MIL-HDBK-217F (25°C)

#### Environmental Specifications:

<b>Operating Temperature:</b>	-20° to 50°C at full load (Refer to output load derating curve)
<b>Operating Humidity:</b>	20 to 90% RH, non-condensing
<b>Storage Temperature:</b>	-40 to 85°C
<b>Storage Humidity:</b>	10 to 95% RH, non-condensing
<b>Temperature Drift:</b>	<0.04%/°C (0-50°C)
<b>Vibration:</b>	10-500Hz, 2G 10min/cycle, period of 60min, each X, Y & Z axis

#### EMC & Safety Specifications<sup>2</sup>:

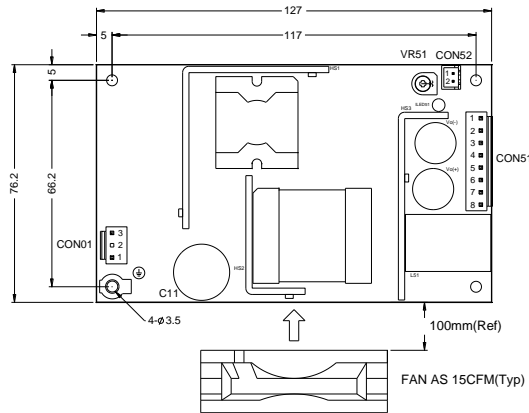
<b>EMI Emissions:</b>	Compliance to EN55022, CISPR22 Class B (Conducted & Radiated)
<b>Harmonic Current:</b>	Compliance to EN61000-3-2, 3
<b>EMS Immunity:</b>	Compliance to EN61000-4-2, 3-6, 8 & 11; EN55024 heavy, light industry level, criteria A
<b>Safety Approval:</b>	UL 60950-1, (insulation class -1)



<sup>1</sup> Ripple and noise are measured at 20MHz of bandwidth by using a 12" twisted-pair wire termination with a 0.1uF & 47uF parallel capacitors.

<sup>2</sup> The power supply is considered a component which will be installed into a final equipment. The final equipment must be re-confirmed that it still meets EMC directives.

### Outline Dimensions (mm):



### NOTE :

- All I/O connection shall Follow specified Model Label.
- Temp =+50°C (max) at full load.

### Connections:

AC Input Connector (CON1)  
JST B3P-VH or equivalent

Assignment	Assignment
P1	AC/N
P	(N.C.)
P3	AC/L

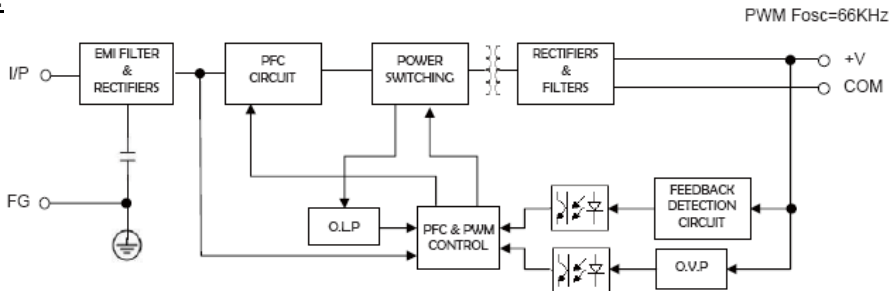
DC Output Connector (CON51)  
JST B8P-VH or equivalent

Assignment	Assignment
P1-P4	COM
P5-P8	V+

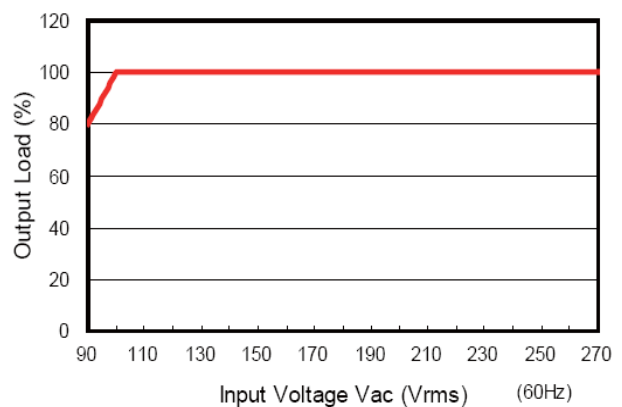
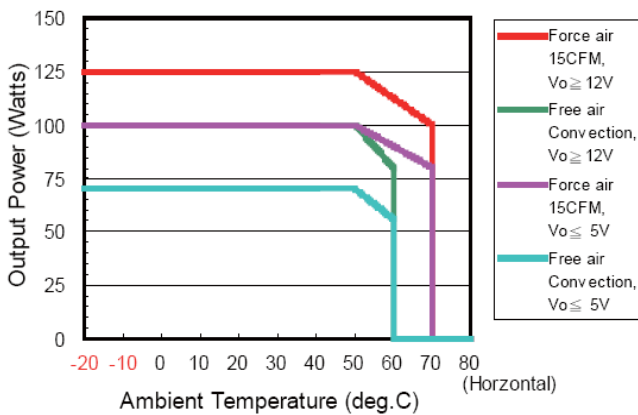
DC Output Connector (ON52-Optional)  
JST B2B-XH

Assignment	Assignment
P1	Vs+
P2	Vs-

### Block Diagram:



### Derating Curve:



**RoHS Compliance:** As of manufacturing date February 2016, all standard products meet the requirements of 2015/863/EU, known as the RoHS 3 initiative.

\* Upon printing, this document is considered "uncontrolled". Please contact Triad Magnetics' website for the most current version.

## X-ON Electronics

Largest Supplier of Electrical and Electronic Components

*Click to view similar products for [Switching Power Supplies](#) category:*

*Click to view products by [Triad](#) manufacturer:*

Other Similar products are found below :

[70841011](#) [73-551-0005](#) [73-551-0048](#) [PS3E-B12F](#) [PS3E-E12F](#) [AAD600S-4-OP](#) [R22095](#) [KD0204](#) [9021](#) [LDIN100150](#) [LPM000-BBAR-01](#)  
[LPX17S-C](#) [EVS57-10R6/R](#) [FP80](#) [FRV7000G](#) [22929](#) [PS3E-F12F](#) [CQM1IA121](#) [40370121900](#) [VI-PU22-EXX](#) [40370121910](#) [LDIN5075](#)  
[LPM615-CHAS](#) [LPX140-C](#) [09-160CFG](#) [70841025](#) [VPX3000-CBL-DC](#) [VI-LUL-IU](#) [LPM000-BBAR-05](#) [LPM000-BBAR-08](#) [LPM124-](#)  
[OUTA1-48](#) [LPM000-BBAR-07](#) [LPM109-OUTA1-10](#) [LPM616-CHAS](#) [08-30466-1055G](#) [08-30466-2175G](#) [08-30466-2125G](#) [DMB-EWG](#)  
[TVQF-1219-18S](#) [6504-226-2101](#) [CQM1IPS01](#) [SP-300-5](#) [CQM1-IPS02](#) [VI-MUL-ES](#) [22829](#) [08-30466-0065G](#) [VI-RU031-EWWX](#) [08-30466-](#)  
[0028G](#) [EP3000AC48INZ](#) [VP-C2104853](#)