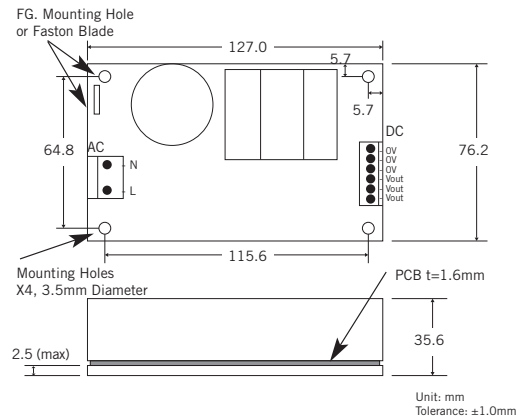


ALS50 Series

TUV Cert. No.: 50200771
UL File: E204980



50 Watt Single Output Open Frame Switching Power Supply for General Purpose Applications



:: Specifications (@25°C)

Input Characteristics

Input Voltage: 90 - 264 VAC / 120-370 VDC
Input Frequency Range: 47 - 63 Hz
Max Input Current: 1.0 / 0.5 A @ 110 / 220 VAC (max)
Max Inrush Current: 30A @ 220 VAC (cold start)

Output Characteristics

Minimum Load: No minimum load
Adjustable Output Range: ±10%
Ripple/Noise (pk-pk 20MHz): 3.3/5/12/24 V = 50/75/120/240 mV
Regulation: ±2.0% Load / ±1% Line
Hold-up Time: 17 ms min, 100% Load @ 110 VAC
Rise-up Time: 500 ms max @ 110 VAC
Over Current Protection: >120% (Auto-recovery)
Over Voltage Protection: >105% (Auto-recovery)

General Specifications

Dimension (LxWxH): 5.00 x 3.00 x 1.40" / 127 x 76.2 x 35.6 mm
Weight: 300 g
Warranty: 2 years

Environmental Specifications

Operating Temperature: 0~50°C Full Load, derate 3.0%/°C up to 60°C
Storage Temperature: -25~+85°C
Cooling: Convection Cooled Operation
Humidity: 10~95% RH, non-condensing
Vibration: 0 - 55 Hz, 2G 1min / cycle, period of 60min, each axis
Reliability: >195,000 Hours MTBF

EMC & Safety Specifications

EMC Emissions: EN55022,VCCI,CISPR22 Class A (Conducted & Radiated); IEC-61000-4-2, 61000-4-4, 61000-4-5, 61000-4-11

Safety Approval: UL 60950 (UL File No: E204980)
TUV EN60950 (TUV No: 50070245)

Dielectric Strength: Input-Output 3 kVAC / 1 min
Input-Ground 2 kVAC / 1 min

Insulation Resistance: Output-Ground: >100 Mohm / 500 VDC

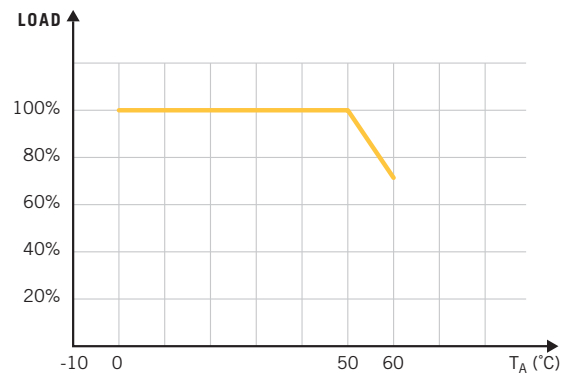
:: Connector Types

Input: Housing = Molex 09-50-3031 / Terminal = Molex 08-50-0105
Output: Housing = Molex 09-50-3061 / Terminal = Molex 08-50-0105

:: Mounting Recommendation

7mm Standoff-spacers (X4)
Located under Mounting-holes

:: Derating Curve



Part Number	Voltage	Current	Efficiency
ALS50-3.3	3.3V	9.1A	70%
ALS50-5	5.0V	9.0A	70%
ALS50-12	12V	4.2A	70%
ALS50-24	24V	2.1A	70%

X-ON Electronics

Largest Supplier of Electrical and Electronic Components

Click to view similar products for [Switching Power Supplies](#) category:

Click to view products by [Triad](#) manufacturer:

Other Similar products are found below :

[70841011](#) [73-551-0005](#) [73-551-0048](#) [PS3E-B12F](#) [PS3E-E12F](#) [AAD600S-4-OP](#) [R22095](#) [KD0204](#) [9021](#) [LDIN100150](#) [LPM000-BBAR-01](#)
[LPX17S-C](#) [EVS57-10R6/R](#) [FP80](#) [FRV7000G](#) [22929](#) [PS3E-F12F](#) [CQM1IA121](#) [40370121900](#) [VI-PU22-EXX](#) [40370121910](#) [LDIN5075](#)
[LPM615-CHAS](#) [LPX140-C](#) [09-160CFG](#) [70841025](#) [VPX3000-CBL-DC](#) [LPM000-BBAR-05](#) [LPM000-BBAR-08](#) [LPM124-OUTA1-48](#)
[LPM000-BBAR-07](#) [LPM109-OUTA1-10](#) [LPM616-CHAS](#) [08-30466-1055G](#) [08-30466-2175G](#) [08-30466-2125G](#) [DMB-EWG](#) [TVQF-1219-](#)
[18S](#) [6504-226-2101](#) [CQM1IPS01](#) [SP-300-5](#) [CQM1-IPS02](#) [VI-MUL-ES](#) [22829](#) [08-30466-0065G](#) [VI-RU031-EWWX](#) [08-30466-0028G](#) [VI-](#)
[LUL-EU](#) [EP3000AC48INZ](#) [VP-C2104853](#)