

F-268U

Electrical Specifications (@25C)

1. Maximum Power: 280.0 VA
2. Primary: 115V 50/60 Hz
3. Secondary: 35.0VCT @ 8.0 Amps
4. Voltage Regulation: 5 % TYP @ full load to no load
5. Temperature Rise: 35C TYP (45C MAX allowed)

Description:

The F-268U is part of a series which has a long history of reliable service in the field, made from a proven design and constructed with UL recognized materials.

Construction:

Wound on a single channel nylon bobbin. Materials are UL recognized, Class B (130° C) rated.

Safety:

These products are 100% hipot tested with an insulation of 1500V between primary and secondary windings as well as between the primary / secondary windings and the core.

Dimensions:

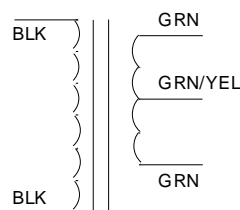
Units: In inches

A	B	C	D	E
4.50	3.750	4.250	3.00	3.250

Lead length: 7.0 inches \pm 1 inch

Weight: 11.0 lbs

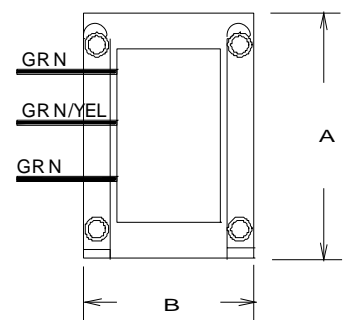
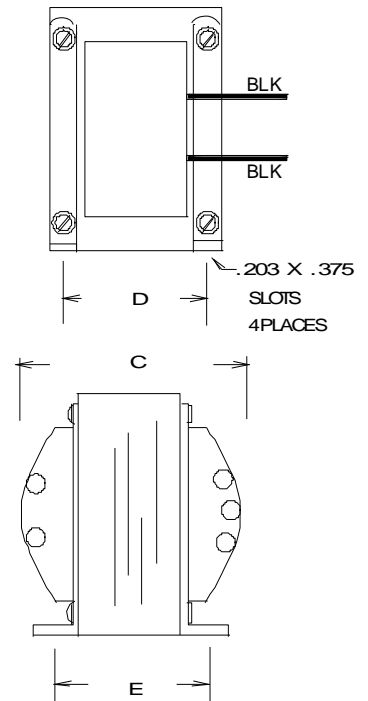
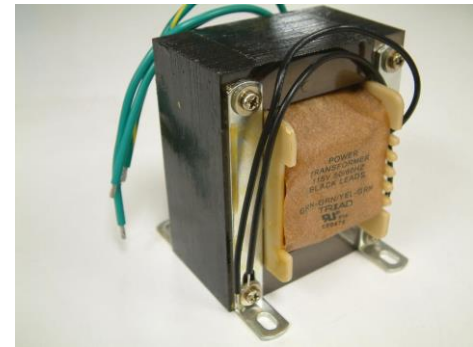
Schematic:



Primary: Black to Black
Secondary: Green to Green

RoHS Compliance: As of manufacturing date February 2016, all standard products meet the requirements of 2015/863/EU, known as the RoHS 3 initiative.

* Upon printing, this document is considered "uncontrolled". Please contact Triad Magnetics' website for the most current version.



X-ON Electronics

Largest Supplier of Electrical and Electronic Components

Click to view similar products for [Triad manufacturer](#):

Other Similar products are found below :

[F36-170-C2-B](#) [D-105](#) [D-164](#) [D-205](#) [D-238](#) [D-245](#) [D-267](#) [D-281](#) [D-285](#) [D-311](#) [D-323](#) [D-343](#) [D-355F](#) [D-365F](#) [D-371](#) [D-373](#) [D-378F](#) [D-379F](#) [D-380F](#) [MCB-9](#) [F-178SX](#) [F-191U](#) [F-212Z](#) [F-23U](#) [F-264U](#) [F-283U](#) [F-346X](#) [F-44X](#) [F-47U](#) [F-60U](#) [FIRCH-5](#) [FP88-130](#) [G-336](#) [G-388](#)
[PL-20](#) [A-112X](#) [A-114X](#) [A-118X](#) [A-14J](#) [A-300X](#) [A-301X](#) [A-304X](#) [A-42Z](#) [A-54X](#) [A-68J](#) [A-6X](#) [A-77J](#) [A-95X](#) [R-104B](#) [R-124BC](#)