

### F-333P

#### Electrical Specifications (@25C)

- Maximum Power: 1.5 VA
- Primary: Series: 230V @ 50/60 Hz  
Parallel: 115V @ 50/60Hz
- Secondary: Series: 30.0V CT @ 0.050 Amps  
Parallel: 15.0V CT @ 0.100 Amps

#### Description:

The F-333P is part of a wide selection of plug-in types that meet the needs of PC boards and solid state power supply design. This transformer can satisfy power as well as control and instrumentation applications.

#### Construction:

Wound on a single channel nylon bobbin. Materials are UL recognized, Class B (130° C) rated.

#### Safety:

These products are 100% hipot tested with an insulation of 1500V between primary and secondary windings.

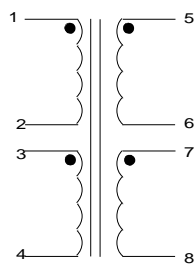
#### Dimensions:

Units: In inches

A	B	C	D	E
1.125	1.375	1.125	0.203	1.00

Pin length: 0.187 in.  
Pin size: 0.20 x .041 in.  
Weight: 4.0 oz

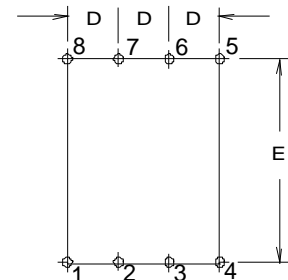
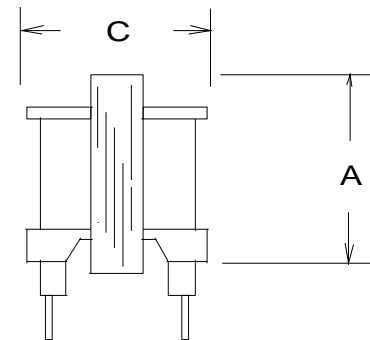
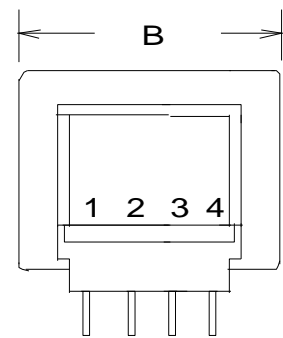
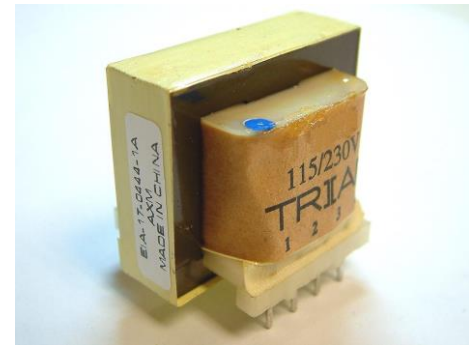
#### Schematic:



- Primary: Series - 1 to 4, Jumper 2 to 3  
Parallel - 1 to 4, Jumper 1 to 3 and 2 to 4
- Secondary: Series - 5 to 8, Jumper 6 to 7  
Parallel - 5 to 8, Jumper 5 to 7 and 6 to 8

**RoHS Compliance:** As of manufacturing date February 2016, all standard products meet the requirements of 2015/863/EU, known as the RoHS 3 initiative.

\*Upon printing, this document is considered "uncontrolled". Please contact Triad Magnetics website for the most current version. For soldering and washing information please see <http://www.triadmagnetics.com/faq.html>



## **X-ON Electronics**

Largest Supplier of Electrical and Electronic Components

*Click to view similar products for [Power Transformers](#) category:*

*Click to view products by [Triad](#) manufacturer:*

Other Similar products are found below :

[ET-030A](#) [F-102X](#) [F-120X](#) [F-14X-1](#) [F-181U](#) [F-18A](#) [F-199U](#) [F-19X](#) [F-202U](#) [F-204U](#) [F-206U](#) [F-227X](#) [F-238U](#) [F-239U-1](#) [F-23U](#) [F24-250-B](#)  
[F-242U](#) [F-245U](#) [F-264U](#) [F-265U](#) [F-267U](#) [F-281U](#) [F-283U](#) [F-290X](#) [F-295Z](#) [F-296Z](#) [F-298Z](#) [F-3143P](#) [F-3298Z](#) [F-33U](#) [F-346X](#) [F-35U](#) [F-](#)  
[364U](#) [F-392A](#) [F-395X](#) [F-397U](#) [F-412X](#) [F-47U](#) [F-55X-1](#) [F-60U](#) [F-68U](#) [F-71U](#) [F-72Z](#) [F-74U](#) [F-83A](#) [F-84AC](#) [F-85U](#) [F-86U](#) [F-9U](#) [PCT-02](#)