

## F-360U

### Electrical Specifications (@25C)

1. Maximum Power: 78 VA
2. Primary: 115/230V @ 50/60 Hz
3. Secondaries: 0-6.5/13/19.5/26V @ 3 Amps

### Description:

The F-360U is a chassis mount power transformer that was designed with multiple secondaries to give the user maximum flexibility.

### Safety:

These products are 100% hi-pot tested with an insulation of 1500V between primary and secondary windings as well as between the primary / secondary windings and the core.

### Dimensions:

Units: In inches

H	W	D	MW	MD
3.375	2.812	2.625	2.25	2.125

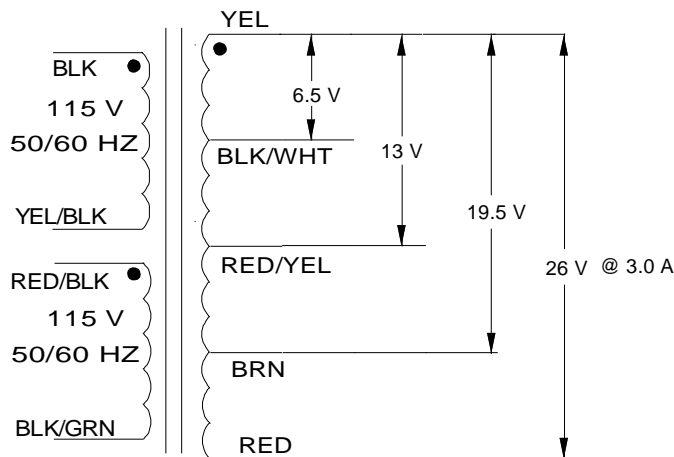
Weight: 3.5 lbs

All Leads 7.0" ± 1.0"

Skin & Tin: 1/4" ± 1/16"

**For Input (115V):** BLK and RED/BLK to YEL/BLK and BLK/GRN

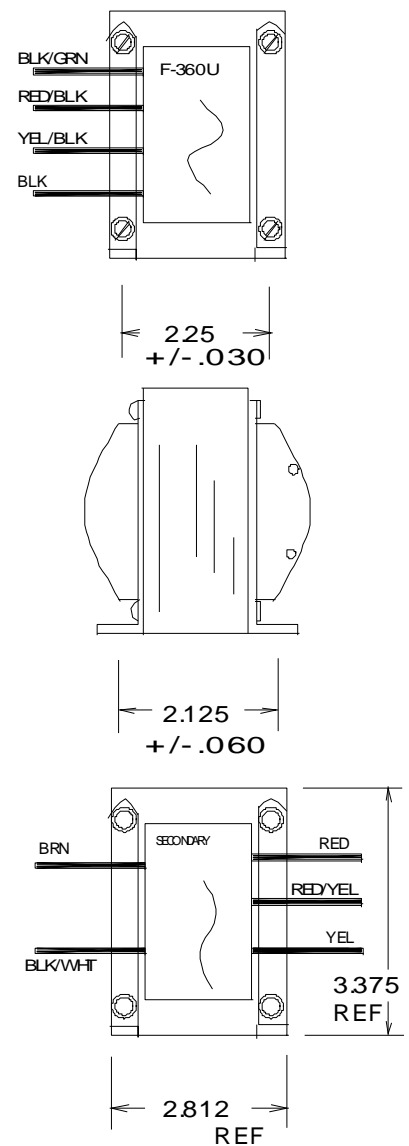
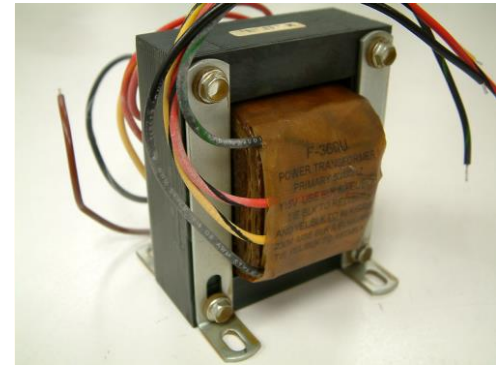
**For Input (230V):** BLK to BLK GRN, Tie YEL/BLK to RED/BLK



**Technical note:** Primary windings are designed to be connected in series or parallel.

**RoHS Compliance:** As of manufacturing date February 2016, all standard products meet the requirements of 2015/863/EU, known as the RoHS 3 initiative.

\* Upon printing, this document is considered "uncontrolled". Please contact Triad Magnetics' website for the most current version.



## **X-ON Electronics**

Largest Supplier of Electrical and Electronic Components

*Click to view similar products for [Power Transformers](#) category:*

*Click to view products by [Triad](#) manufacturer:*

Other Similar products are found below :

[ET-030A](#) [F-102X](#) [F-120X](#) [F-14X-1](#) [F-181U](#) [F-18A](#) [F-199U](#) [F-19X](#) [F-202U](#) [F-204U](#) [F-206U](#) [F-227X](#) [F-238U](#) [F-239U-1](#) [F-23U](#) [F24-250-B](#)  
[F-242U](#) [F-245U](#) [F-264U](#) [F-265U](#) [F-267U](#) [F-281U](#) [F-283U](#) [F-290X](#) [F-295Z](#) [F-296Z](#) [F-298Z](#) [F-3143P](#) [F-3298Z](#) [F-33U](#) [F-346X](#) [F-35U](#) [F-](#)  
[364U](#) [F-392A](#) [F-395X](#) [F-397U](#) [F-412X](#) [F-47U](#) [F-55X-1](#) [F-60U](#) [F-68U](#) [F-71U](#) [F-72Z](#) [F-74U](#) [F-83A](#) [F-84AC](#) [F-85U](#) [F-86U](#) [F-9U](#) [PCT-02](#)