

## F-92A

### Electrical Specifications (@25C)

1. Max. power = 12.6 – 72VA
2. Primary: 115V<sup>1</sup>, 60 Hz
3. Secondary Voltage: See table below
4. DC current rating: 0.75ADC<sup>2</sup>
5. Temperature Rise: 35C TYP (45C MAX allowed)

### Description:

The F-92A is a chassis mount power transformer that was designed with multiple primaries and secondaries to give the user maximum flexibility. The F-92A is intended for use with full wave center tap or bridge rectifiers, but may be used with voltage doubler circuits at one half of the rated current.

### Construction:

Wound on a single channel nylon bobbin. Materials are UL recognized, Class B (130° C) rated.

### Safety:

These products are 100% hipot tested with an insulation of 1500V between primary and secondary windings as well as between the primary / secondary windings and the core.

### Dimensions:

Units: inches

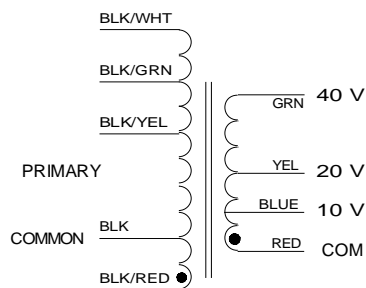
H	W	D	MW	WD
3.0	2.5	3.0	2.0	2.062

Weight: 3.25 lbs

### Connections:

Primary – 22AWG, UL 1015, 7.0 "± 1", strip & tin 0.250" ± 0.062"  
 Secondary – 22AWG, UL 1015, 7.0 "± 1", strip & tin 0.250" ± 0.062"

### Schematic:



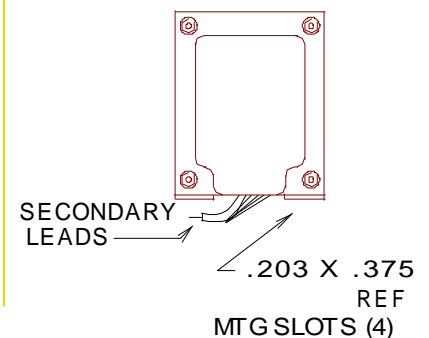
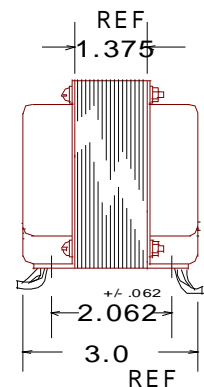
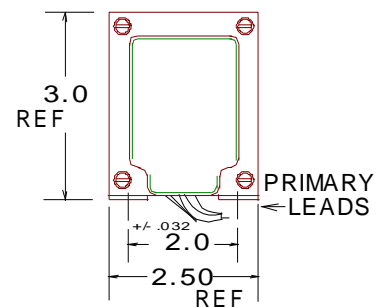
Primary	Secondary			
	GRN to RED	GRN to BLU	YEL to RED	BLU to RED
BLK/YEL to BLK	40V CT	30V	20V CT	10V
BLK/YEL to BLK/RED	38V CT	28.5V	19V CT	9.5V
BLK/GRN to BLK	34V CT	25.5V	17V CT	8.5V
BLK/GRN to BLK/RED	32V CT	24V	16V CT	8V
BLK/WHT to BLK	30V CT	22.5V	15V CT	7.5V
BLK/WHT to BLK/RED	28V	21V	14V CT	7V

**RoHS Compliance:** As of manufacturing date February 2016, all standard products meet the requirements of 2015/863/EU, known as the RoHS 3 initiative.

\* Upon printing, this document is considered "uncontrolled". Please contact Triad Magnetics' website for the most current version.

<sup>1</sup> Tapped primary to produce lower output voltages.

<sup>2</sup> DC amp rating with a full wave bridge rectifier.



## **X-ON Electronics**

Largest Supplier of Electrical and Electronic Components

*Click to view similar products for [Power Transformers](#) category:*

*Click to view products by [Triad](#) manufacturer:*

Other Similar products are found below :

[ET-030A](#) [F-102X](#) [F-120X](#) [F-14X-1](#) [F-181U](#) [F-18A](#) [F-199U](#) [F-19X](#) [F-202U](#) [F-204U](#) [F-206U](#) [F-227X](#) [F-238U](#) [F-239U-1](#) [F-23U](#) [F24-250-B](#)  
[F-242U](#) [F-245U](#) [F-264U](#) [F-265U](#) [F-267U](#) [F-281U](#) [F-283U](#) [F-290X](#) [F-295Z](#) [F-296Z](#) [F-298Z](#) [F-3143P](#) [F-3298Z](#) [F-33U](#) [F-346X](#) [F-35U](#) [F-](#)  
[364U](#) [F-392A](#) [F-395X](#) [F-397U](#) [F-412X](#) [F-47U](#) [F-55X-1](#) [F-60U](#) [F-68U](#) [F-71U](#) [F-72Z](#) [F-74U](#) [F-83A](#) [F-84AC](#) [F-85U](#) [F-86U](#) [F-9U](#) [PCT-02](#)