

### MD-1000-E

#### Electrical Specifications (@25C)

1. Maximum Power: 1000VA
2. Input Voltage (power cord) : 240VAC±10%, 50/60Hz
3. Output Voltage (receptacle) : 120.0VAC @ 8.33A Max<sup>1</sup>
4. Voltage Regulation: 5% TYP from full load to no load
5. Hipot:
  - Input to output: 3000VAC
  - Input and output to enclosure (Ground): 1500VAC
6. Efficiency: 94% TYP. @ full load
7. Operating ambient temperature: Not to exceed 60°C
8. Leakage current: less than 50uA; typical 10uA
9. Fusing: Replace only with 6.0A, 250VAC, slow blo, UL listed fuses.

#### Construction:

These medical grade isolation boxes are built using a toroidal transformer construction that inherently helps reduce stray fields, increases efficiency and minimizes size compared to traditional EI transformers. Built with Class F (155°) insulation system. The enclosure is made of steel and powder coated white.

#### Safety:

Medical isolation transformer box is certified to UL 60601-1, 2<sup>nd</sup> edition medical standard and CSA-C22.2.No. 601.1M90, 2005

UL: (E352717), UL60601-1, 2<sup>nd</sup> edition and CAN/CSA-C22.2 No. 601.1M90, 2005

**Note: Not for use in life critical application**



#### Mounting:

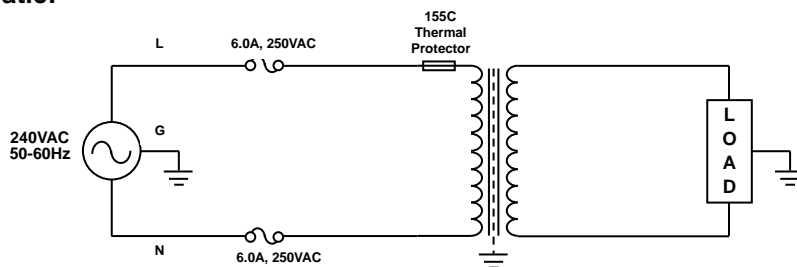
Rubber feet for horizontal mounting.

#### Connections:

Input: 11ft medical grade power cord with Nema 6-15P plug.

Output: Duplex receptacle. Nema 5-15R.

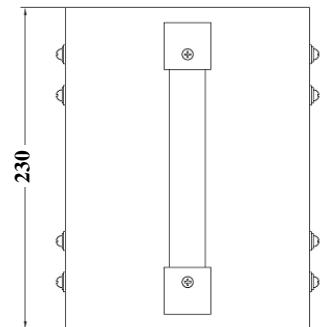
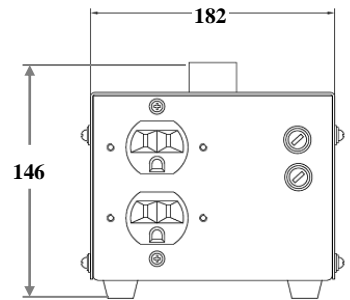
#### Schematic:



**Please refer to instruction manual for safety precautions.**

**RoHS Compliance:** As of manufacturing date February 2016, all standard products meet the requirements of 2015/863/EU, known as the RoHS 3 initiative.

\* Upon printing, this document is considered "uncontrolled". Please contact Triad Magnetics' website for the most current version.



Dimensions: mm

Weight: 10.0Kg

Warranty: 5 years

<sup>1</sup> Combined loads connected to receptacle(s) must not exceed maximum current rating.

## **X-ON Electronics**

Largest Supplier of Electrical and Electronic Components

*Click to view similar products for [Power Transformers](#) category:*

*Click to view products by [Triad](#) manufacturer:*

Other Similar products are found below :

[ET-030A](#) [F-102X](#) [F-120X](#) [F-14X-1](#) [F-181U](#) [F-18A](#) [F-199U](#) [F-19X](#) [F-202U](#) [F-204U](#) [F-206U](#) [F-227X](#) [F-238U](#) [F-239U-1](#) [F-23U](#) [F24-250-B](#)  
[F-242U](#) [F-245U](#) [F-264U](#) [F-265U](#) [F-267U](#) [F-281U](#) [F-283U](#) [F-290X](#) [F-295Z](#) [F-296Z](#) [F-298Z](#) [F-3143P](#) [F-3298Z](#) [F-33U](#) [F-346X](#) [F-35U](#) [F-](#)  
[364U](#) [F-392A](#) [F-395X](#) [F-397U](#) [F-412X](#) [F-47U](#) [F-55X-1](#) [F-60U](#) [F-68U](#) [F-71U](#) [F-72Z](#) [F-74U](#) [F-83A](#) [F-84AC](#) [F-85U](#) [F-86U](#) [F-9U](#) [PCT-02](#)