

N-6U

Electrical Specifications (@25°C)

1. Maximum Power: 200 VA
2. Input Voltage: 230 V, 50 / 60Hz
3. Output Voltage: 115V ± 5%
4. Full Secondary Load: 1.70 Amps RMS

Description:

The N-6U is part of the line of Auto-Transformers that are single winding transformers in which the secondary coil is a fraction of the entire winding for voltage step-down. This causes part of the power to be transferred conductively through the windings, rather than all of the power being transferred by induction.

Safety:

These units are designed with 1500V isolation between the winding and the core. Materials and construction are rated for Class B insulation system.

Dimensions:

Unit: In inches

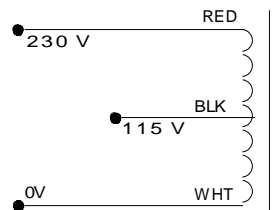
A	B	C	D	E
3.406 Max	2.855 Max	2.828 Max	2.250 ± 0.030	2.25 ± 0.06

Weight: 3.60 lbs

Mounting Holes: 0.203 x 0.375

Connections: 7 ± 1" leads, 0.250±0.062" Stripped & Tin

Schematic:

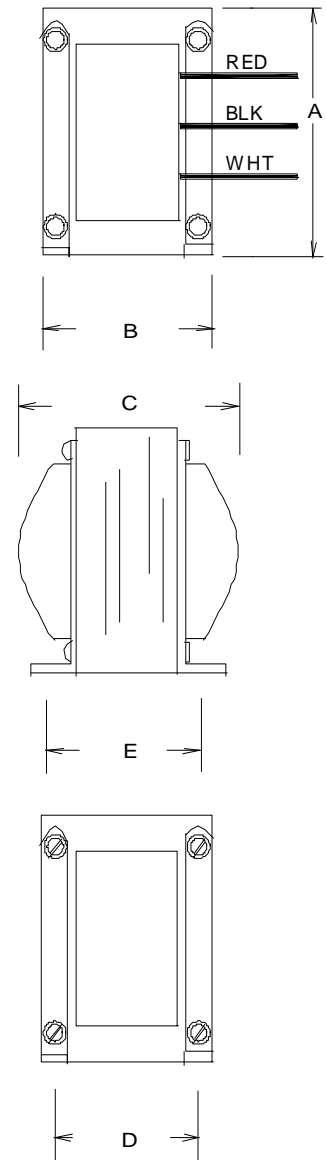
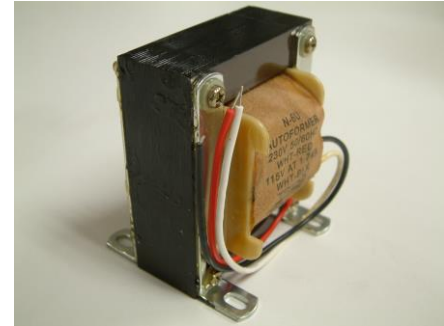


For 230V input: Wht to Red

For 115 output: Wht to Blk

RoHS Compliance: As of manufacturing date February 2016, all standard products meet the requirements of 2015/863/EU, known as the RoHS 3 initiative.

* Upon printing, this document is considered "uncontrolled". Please contact Triad Magnetics' website for the most current version.



X-ON Electronics

Largest Supplier of Electrical and Electronic Components

Click to view similar products for [Autotransformers](#) category:

Click to view products by [Triad](#) manufacturer:

Other Similar products are found below :

[1-150](#) [ESS 104](#) [ESS 120](#) [115](#) [ARM-3.0/1](#) [ATS1000VA-230/110V U](#) [ATS1500VA-230/110V U](#) [ATS1500VA-230/110V U+UMS](#)
[ATS200VA-230/110V](#) [ATS300VA-230/110V](#) [ATS50VA-230/110V](#) [ATS600VA-230/110V](#) [TS50-230V/115V-001](#) [HSN0103-1.25KW](#)
[HSN0203-1.82KW](#) [OIEA1](#) [OIEA15](#) [OIEA3](#) [OIEA8](#) [N-1000MG](#) [N-3MG](#) [N-4MG](#) [N-5MG](#) [N-6U](#) [N-7MG](#) [N-150MG](#) [170](#) [1100-0F](#) [175-0F](#)
[115-0F](#) [112-0F](#) [ATS25-230V/115V-001](#) [ATST1000-230V/115V-001](#) [ATST1000-230V/115V-002](#) [ATST100-230V/115V-001](#) [ATST100-](#)
[230V/115V-002](#) [ATST1500-230V/115V-001](#) [ATST1500-230V/115V-002](#) [ATST2000-230V/115V-001](#) [ATST2000-230V/115V-002](#)
[ATST200-230V/115V-001](#) [ATST3000-230V/115V-001](#) [ATST3000-230V/115V-002](#) [ATST3500-230V/115V-002](#) [ATST400-230V/115V-001](#)
[ATST400-230V/115V-002](#) [ATST600-230V/115V-001](#) [ATST600-230V/115V-002](#) [TST 150-230V/115V-002](#) [VP-1000VA](#)