

### TCT40-07E07K

#### Description:

Triad control transformers come with tamper resistant shrouds for safety and a steel bracket welded to the bottom of the transformer for ease of mounting. These transformers are design and have the safety agency recognition for application where a Class 2 transformer is necessary. Some of the applications would include, but not limited to HVAC, Control boards, Lighting, etc.

#### Electrical Specifications (@25C):

1. Maximum Power: 40VA
  2. \*Input (BLK-WHT): 120V, 50/60 Hz, (**Fuse: 0.600A Max**)  
(BLK-BLU): 208V, 50/60Hz, (**Fuse: 0.375A Max**)  
(BLK-RED): 240V, 50/60Hz, (**Fuse: 0.300A Max**)
  3. Output (BLU-BLU): 12V @ 3.34Amps, (**Fuse: 4.0A Max**)
  4. Voltage Regulation: 15% TYP @ full load to no load
  5. Temperature Rise: <40°C TYP
  6. Hipot: 1500VAC – Input to Output, Input & Output to Core
  7. Recommended Fusing: UL Listed, 3AG time-delay type. Fuse can be use on primary or secondary.
- \* Only one input voltage to be applied to primary at any time.

#### Construction:

Three flange bobbin construction with primaries and secondaries wound side by side for low capacitive coupling. Unit weight is 1.5lbs.

#### Agency File:

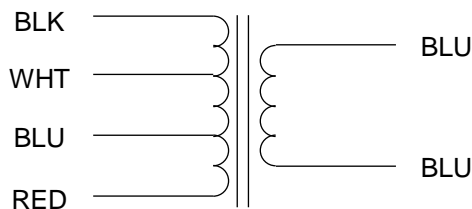
UL: File E65390, UL 5085-3 (1585), Class 2 Transformer  
cUL: File E65390, UL 5085-3 (1585) For Canadian Use (CSA 22.2, No.66.3-06)



#### Connections:

Input: 12±1" insulated leads, stripped and tinned 0.20±0.08", 18AWG stranded  
Output: 12±1" insulated leads, stripped and tinned 0.20±0.08", 18AWG stranded

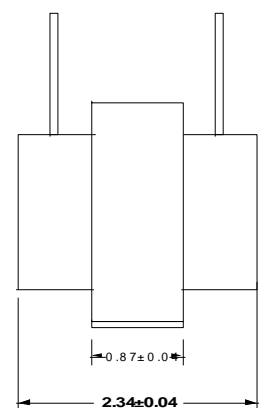
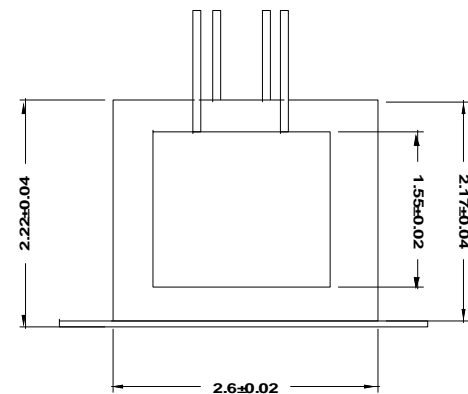
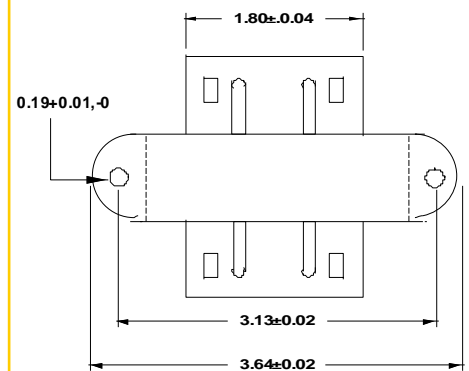
#### Schematic:



**RoHS Compliance:** As of manufacturing date February 2016, all standard products meet the requirements of 2015/863/EU, known as the RoHS 3 initiative.

As of April 7, 2008, UL standards 506 and 1585 will be migrated to UL 5085-2 and 5085-3, respectively.

\* Upon printing, this document is considered "uncontrolled". Please contact Triad Magnetics' website for the most current version.



## X-ON Electronics

Largest Supplier of Electrical and Electronic Components

*Click to view similar products for [Industrial Control Transformers](#) category:*

*Click to view products by [Triad](#) manufacturer:*

Other Similar products are found below :

[HS1B150](#) [2929013T00](#) [2124131T00](#) [HS10B150](#) [HS14F2BS](#) [HS19B250](#) [WS10](#) [PA2358NL](#) [TCT40-06E07AB](#) [201](#) [F-109U](#) [TCT40-07E07AB](#) [291](#) [HS14F1BS](#) [HS14F5BS](#) [HS1F2AS](#) [2520](#) [3PN1210B](#) [808-0128-S](#) [808-0129-S](#) [808-0130-S](#) [F-108U](#) [F-213Z](#) [F-214U](#) [F-215U](#) [TCT3-03E07AE](#) [TCT3-11E07AE](#) [TCT3-12E07AE](#) [TCT40-01E07AB](#) [TCT40-01E07AE](#) [TCT40-02E07AB](#) [TCT40-02E07K](#) [TCT40-03E07K](#) [TCT40-05E07AB](#) [TCT40-05E07K](#) [TCT40-06E07K](#) [TCT40-07E07K](#) [TCT40-08E07AB](#) [TCT40-08E07AE](#) [TCT40-09E07AB](#) [TCT40-09E07K](#) [TCT40-10E07AB](#) [TCT50-01E07AB](#) [TCT50-01E07AE](#) [TCT50-01E07K](#) [TCT50-02E07AB](#) [TCT50-02E07K](#) [TCT50-03E07AB](#) [TCT50-03E07AE](#) [TCT50-03E07K](#)