

TY - 142P

Description:

These transformers operate in the 200 Hz to 15,000 Hz range, making them suitable for a broad application spectrum in the audio industry. These devices are used in line matching, telephone coupling, pulse trigger, driver, interstage, output, isolation and input applications.

Operating Temperature Range: -20° C to 85° C

Electrical Specifications at 25° C:

1. Primary Impedance: 10000Ω CT
+ 15% with 600Ω load
2. Secondary Impedance: 2000Ω CT
3. Output: 100mW
4. Primary DC Unbalance: 4 Ma
5. Frequency Response: ± 2db from 200 to 15,000 Hz
6. Impedance Matching: 10% over full frequency range
7. Longitudinal Balance > 45db
8. Insertion Loss @ 1K Hz: < 1.5db
9. Return Loss: > 26db
10. Total Harmonic Distortion < 0.5% between 275Hz and 3.5KHz
11. DCR:

Primary (1-3)	750Ω Nominal
Secondary (4-6)	217Ω Nominal
12. Turns Ratio: 2.24 : 1
13. Dielectric Strength 1500V Pri to Sec to Core

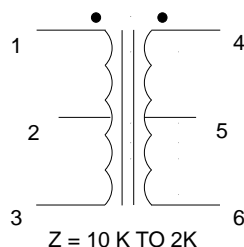
Construction:

Bobbin has plug-in terminals which are spaced to provide fixed mounting centers. Pins are a rugged .042" square, minimizing the incidence of bent pins from handling.

Outline Dimensions:

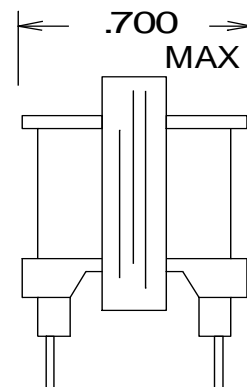
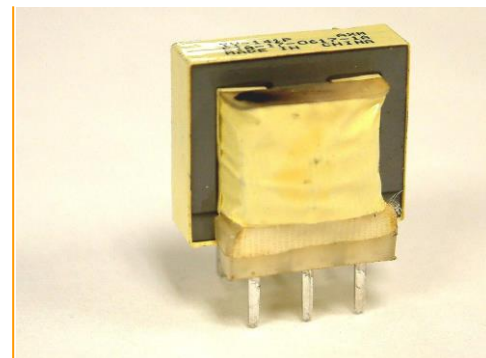
- A. Dimensions: As figures show
- B. PIN DIM. : .0375" x .020"
- C. Weight : 0.51 oz.

Schematic:

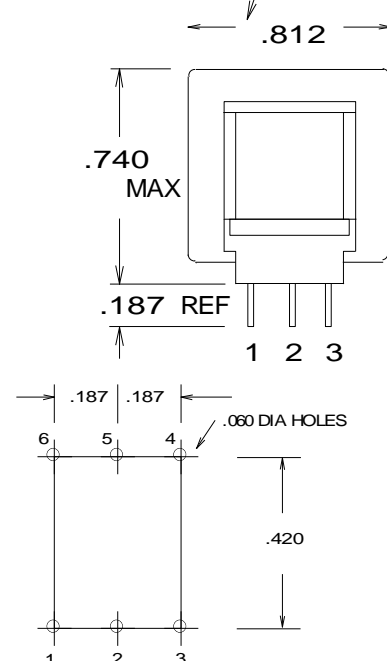


RoHS Compliance: As of manufacturing date February 2016, all standard products meet the requirements of 2015/863/EU, known as the RoHS 3 initiative.

*Upon printing, this document is considered "uncontrolled". Please contact Triad Magnetics website for the most current version. For soldering and washing information please see <http://www.triadmagnetics.com/faq.html>



DOT ABOVE #1 PIN
ON BOBBIN FLANGE



X-ON Electronics

Largest Supplier of Electrical and Electronic Components

Click to view similar products for [Audio Transformers](#) / [Signal Transformers](#) category:

Click to view products by [Triad](#) manufacturer:

Other Similar products are found below :

[CU4S0506AT-2655-H1](#) [MGPWT-00449-P](#) [PE-64961](#) [1812WBT2-4](#) [BX1194WNL](#) [1879479-1](#) [PA1528ANL](#) [T1137NLT](#) [PE-65848FNLT](#)
[H5019EFNL](#) [CX2045ALNLT](#) [TG1G-E201NV6LF](#) [MGPWT-00059-P](#) [MGPWT-00266-P](#) [MGPWT-00278-P](#) [MGPWT-00431-P](#) [TTC-100](#)
[TTC-143-H](#) [TTC-5032-1](#) [4-1879391-0](#) [100213](#) [T1142NL](#) [TG1G-S001NZLF](#) [T1124NL](#) [1879732-1](#) [2-1879391-5](#) [MABA-010321-CT1A42](#)
[TX1341NL](#) [H0013FNL](#) [H5020FNL](#) [H2009FNLT](#) [H5004NLT](#) [S553-5999-52-F](#) [SCMS7D43AY100PT1](#) [T5008NLT](#) [PE-68517T](#) [MGPWT-](#)
[00339-P](#) [H5014FNLT](#) [TX1473NLT](#) [PE-69011NLT](#) [CX2043LNLT](#) [H7137FNLT](#) [H1259NLT](#) [TX1344NLT](#) [LM-LP-1005L](#) [H0013NLT](#)
[S558-5500-JV](#) [TX1193NLT](#) [T7015NL](#) [T1124NLT](#)