



# Audio Transformer PC Mount

## TY - 250 P

### Description:

This transformer operates in the 20 Hz to 20,000 Hz range, making it suitable for a broad application spectrum in the audio industry. This device is used in line matching, telephone coupling, pulse trigger, driver, interstage, and isolation input and output applications.

**Operating Temperature Range:** -40° C to 105° C

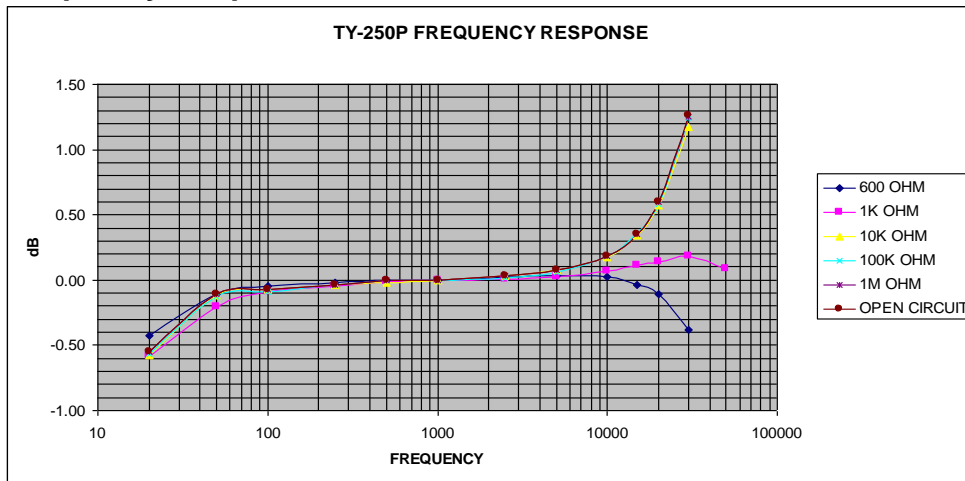
### Electrical Specifications at 25° C:

- 1. Primary Impedance: 1000Ω CT \*
- 2. Secondary Impedance: 1000Ω CT / 250Ω \*
- 3. Output: 20mW \*
- 4. Primary DC Unbalance: 4 mA
- 5. Frequency Response: ± 1db from 20 to 20,000 Hz
- 8. Insertion Loss @ 1K Hz: < 2.8db
- 11. DCR: Primary (2-4) 172Ω Nominal  
Secondary (5-8, w/6-7 tied) 172Ω Nominal
- 12. Turns Ratio: 1:1 (tie 6&7)  
2:1 (5 tied to 6 and 7 tied to 8)
- 13. Dielectric Strength 1500V Primary to Secondary

### Outline Dimensions:

- A. Dimensions: As shown
- B. Weight: 0.4 oz.

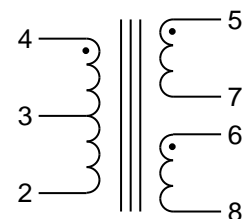
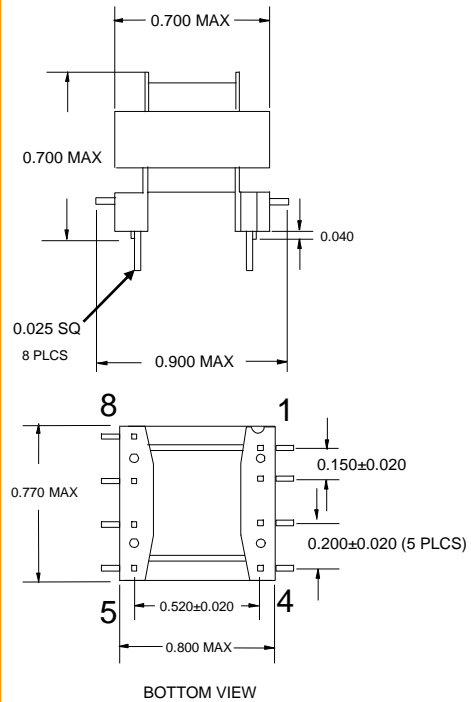
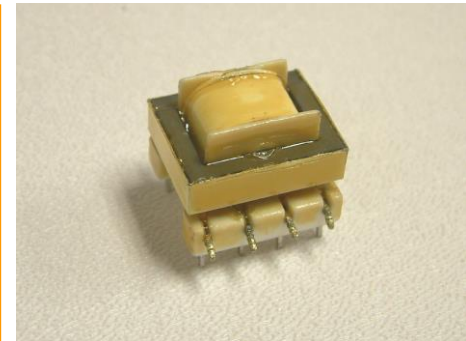
### Frequency Response:



\* 600:600Ω, 10K:10KΩ, 100K:100KΩ, 1M:1MΩ, and other impedances (secondaries can all be used at ¼ value when placed in parallel) are optional as long as input voltage is ≤4.2Vrms and current is ≤7mA.

**RoHS Compliance:** As of manufacturing date February 2016, all standard products meet the requirements of 2015/863/EU, known as the RoHS 3 initiative.

\*Upon printing, this document is considered "uncontrolled". Please contact Triad Magnetics website for the most current version. For soldering and washing information please see <http://www.com.com.com.com/faq.html>



web:[www.com.com.com.com](http://www.com.com.com.com)  
Phone 951-277-0757  
Fax 951-277-2757

460 Harley Knox Blvd.  
Perris, California 92571

Publish Date: May 31, 2019

## X-ON Electronics

Largest Supplier of Electrical and Electronic Components

*Click to view similar products for [Audio Transformers](#) / [Signal Transformers](#) category:*

*Click to view products by [Triad](#) manufacturer:*

Other Similar products are found below :

[CX2041NLT](#) [MGPWT-00449-P](#) [PE-64961](#) [H1302FNLT](#) [H5008FNL](#) [H5012FNL](#) [H5020FNLT](#) [H5077NLT](#) [H5079NLT](#) [H5084FNLT](#)  
[B78476A9558A003](#) [1812WBT2-4](#) [1879479-1](#) [HX2260FNL](#) [HX5014FNL](#) [EX2024FNL](#) [FL1066](#) [T1137NLT](#) [T3012NL](#) [PE-65812FNL](#) [PE-](#)  
[65848FNLT](#) [H1174FNL](#) [H1302FNL](#) [H5015FNL](#) [H5019EFNL](#) [H5062FNLT](#) [CX2047LNL](#) [MGPWT-00059-P](#) [MGPWT-00266-P](#) [MGPWT-](#)  
[00278-P](#) [MGPWT-00431-P](#) [TTC-100](#) [TTC-143-H](#) [TTC-5032-1](#) [BX1194WNLT](#) [HX1234NLT](#) [HX5008FNLT](#) [HX5019FNL](#) [HX5084NL](#) [3-](#)  
[1879385-5](#) [TX1263NLT](#) [4-1879391-0](#) [T1142NL](#) [HX6101FNL](#) [HX5084FNL](#) [HX1148NL](#) [HX5020FNLT](#) [HX5014FNLT](#) [T1124NL](#)  
[1879732-1](#)