

WDU18-100

Electrical Specifications (@25C)

1. Primary Rating: 120V 60Hz 6W
2. Primary Excitation Current: 40mA Max
3. Secondary Rating: 18VDC \pm 5%, 100mADC
4. Secondary No-Load Rating: 28.2VDC Ref.
5. Output Ripple Voltage: 800mV Max
6. Operating Temperature Range: -10 Deg C to +40 Deg C
7. Temperature Rise: 75 Deg C Max at rated load
50 Deg C Max on enclosure surface

Mechanical Parameters:

Case Type: Thermoplastic molded enclosure.
Output Cord: 24 AWG, 6 Ft. Long Min.

Agency File:

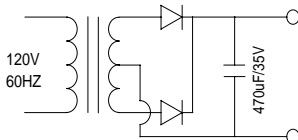
UL/CUL: File E104603, UL 1310
CSA: LR67888

A. Dimensions:

H	W	D
56	43	37

*Units: In Millimeter

B. Schematic:



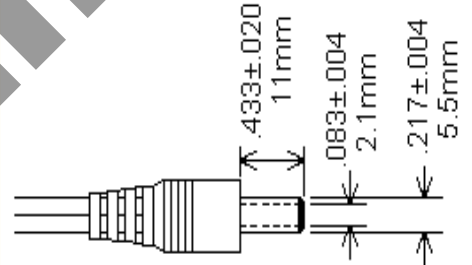
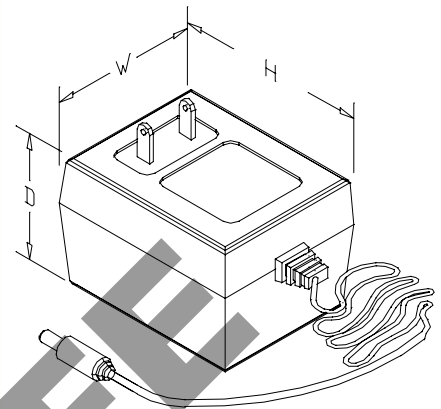
Technical Note: 1. Inside (tip)-positive (+), outside-negative (-)

U.S. DOE Compliance per Sec. 301 of EISA 2007: As of July 1, 2008, this product is intended for use as follows:

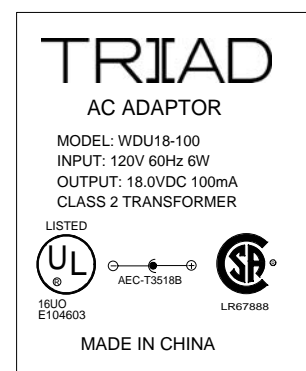
1. Requires Federal Food and Drug Administration listing and approval as a medical device in accordance with section 513 of the Federal Food, Drug, and Cosmetic Act (21 U.S.C. 360c)
2. Powers the charger of a detachable battery pack or charges the battery of a product that is fully or primarily motor operated.
3. As a service part or a spare part for an end-use product manufactured before July 1, 2008, that constitutes the primary load of this power supply.

RoHS Compliance: As of manufacturing date February 2005, all standard products meet the requirements of 2011/65/EU, known as the RoHS initiative.

* Upon printing, this document is considered "uncontrolled". Please contact Triad Magnetics' website for the most current version.



NAMEPLATE MARKING



X-ON Electronics

Largest Supplier of Electrical and Electronic Components

Click to view similar products for [Triad manufacturer](#):

Other Similar products are found below :

[F36-170-C2-B](#) [D-105](#) [D-164](#) [D-205](#) [D-238](#) [D-245](#) [D-267](#) [D-281](#) [D-285](#) [D-311](#) [D-323](#) [D-343](#) [D-355F](#) [D-365F](#) [D-371](#) [D-373](#) [D-378F](#) [D-379F](#) [D-380F](#) [MCB-9](#) [F-178SX](#) [F-191U](#) [F-212Z](#) [F-23U](#) [F-264U](#) [F-283U](#) [F-346X](#) [F-44X](#) [F-47U](#) [F-60U](#) [FIRCH-5](#) [FP88-130](#) [G-336](#) [G-388](#)
[PL-20](#) [A-112X](#) [A-114X](#) [A-118X](#) [A-14J](#) [A-300X](#) [A-301X](#) [A-304X](#) [A-42Z](#) [A-54X](#) [A-68J](#) [A-6X](#) [A-77J](#) [A-95X](#) [R-104B](#) [R-124BC](#)