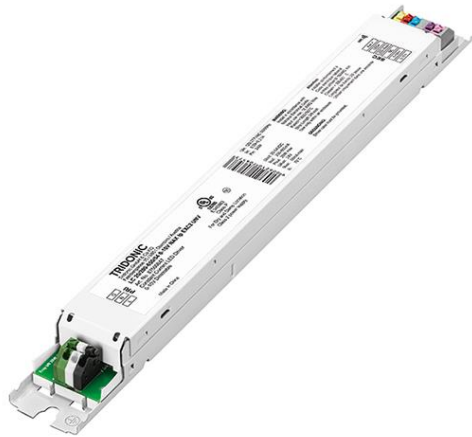


**Driver LC 20W 200–650mA 0-10V NFC AUX Ip EXC2 UNV**

Linear excite NFC series (US applications)

**Product description**

- \_ Constant current LED driver
- \_ Dimmable via 0 ... 10 V interface (incl. stand-by)
- \_ Dimming range 1 – 100 % (incl. stand-by)
- \_ UL8750 with class 2 output based on UL1310
- \_ UL Listed Class P
- \_ FCC Part 15 Class A
- \_ Meets UL 8750 SF3.1 Isolation
- \_ Adjustable output current between 200 and 650 mA via NFC
- \_ Max. output power 20 W
- \_ Up to 85 % efficiency
- \_ Meets Strictest Flicker Free Performance Standards
- \_ Nominal lifetime up to 100,000 h
- \_ 5 years guarantee

**Housing properties**

- \_ Casing: metal, white
- \_ Type of protection IP20
- \_ Dry and damp location

**Functions**

- \_ Adjustable output current in 1-mA-steps (NFC)
- \_ 24 V AUX output
- \_ Fade-off time programmable
- \_ Protective features (overtemperature, short-circuit, overload, no-load, input voltage range)

**Benefits**

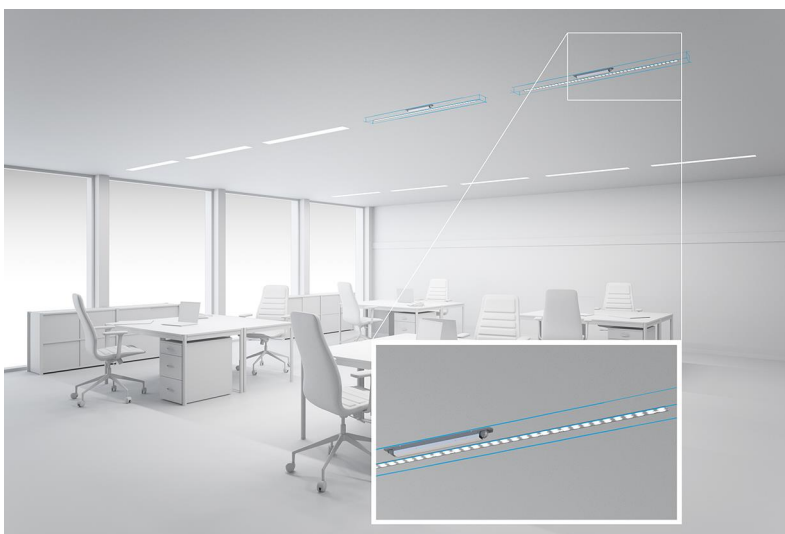
- \_ Operating window for maximum compatibility
- \_ Added energy savings with dimming via 0 ... 10 V interface
- \_ Configurable via NFC
- \_ Meets California Title 24
- \_ Tailor your dimming response with either Linear, Logarithmic or Square Dimming Curves

**Typical applications**

- \_ For linear/area lighting in office, education, healthcare, and general lighting applications

**Website**

<http://www.tridonic.com/87500847>



Spotlights



Downlights



Linear



Area



Floor | Wall



Free-standing



Street



Decorative

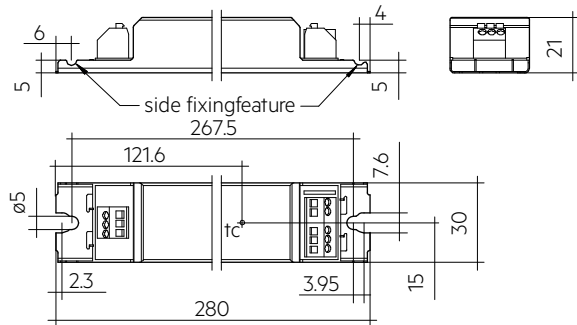


High bay

**Driver LC 20W 200–650mA 0-10V NFC AUX Ip EXC2 UNV**

Linear excite NFC series (US applications)

The complete data sheet for this product is available in the Downloads section.

**Ordering data**

Type	Article number	Packaging, carton	Packaging, low volume	Packaging, high volume	Weight per pc.
LC 20/200-650/54 0-10V NAX Ip EXC2 UNV	87500847	10 pc(s).	220 pc(s).	1,540 pc(s).	0.205 kg

## Technical data

Rated supply voltage	120 – 277 V
AC voltage range	108 – 305 V
Mains frequency	50 / 60 Hz
Typ. current (at 120 V, 60 Hz, full load) <sup>①②</sup>	195 mA
Typ. current (at 277 V, 60 Hz, full load) <sup>①②</sup>	90 mA
Leakage current (at 120 V, 60 Hz, full load) <sup>①②</sup>	< 750 µA
Leakage current (at 277 V, 60 Hz, full load) <sup>①②</sup>	< 750 µA
Max. input power (at 120 V, 60 Hz, full load)	24.1 W
Max. input power (at 277 V, 60 Hz, full load)	24 W
Typ. efficiency (at 120 V, 60 Hz, full load) <sup>②</sup>	84.6 %
Typ. efficiency (at 277 V, 60 Hz, full load) <sup>②</sup>	85 %
λ (at 120 V, 60 Hz, full load) <sup>①</sup>	0.99
λ (at 277 V, 60 Hz, full load) <sup>①</sup>	0.94C
Typ. power consumption on stand-by (at 120 V, 60 Hz) <sup>③</sup>	< 0.5 W
Typ. power consumption on stand-by (at 277 V, 60 Hz) <sup>③</sup>	< 0.5 W
Typ. input current in no-load operation (at 120 V, 60 Hz)	12 mA
Typ. input current in no-load operation (at 277 V, 60 Hz)	24 mA
Typ. input power in no-load operation (at 120 V, 60 Hz)	0.4 W
Typ. input power in no-load operation (at 277 V, 60 Hz)	0.9 W
In-rush current (peak / duration at 120 V)	0.96 A / 27 µs
In-rush current (peak / duration at 277 V)	4 A / 11 µs
THD (at 120 V, 60 Hz, full load) <sup>①</sup>	< 10 %
THD (at 277 V, 60 Hz, full load) <sup>①</sup>	< 20 %
Starttime (at 120V, 60 Hz, full load) <sup>①</sup>	≤ 500 ms
Starttime (at 277V, 60 Hz, full load) <sup>①</sup>	≤ 500 ms
Turn off time at full load	< 30 ms
Hold time (power failure, full load)	< 20 ms
Output current tolerance <sup>④⑤</sup>	± 5 %
Max. output current peak (non-repetitive)	≤ output current + 5 %
Output LF current ripple (< 120 Hz)	± 5 %
Output P_ST_LM (at full load)	≤ 1
Output SVM (at full load)	≤ 0.4
Max. output voltage (U-OUT)	60 V
Dimming range	1 – 100 %
Mains surge capability (between L - N)	2 kV
Mains surge capability (between L/N - PE)	2.5 kV
Surge voltage at output side (against PE)	500 V
Type of protection	IP20
Guarantee	5 Year(s)
Dimensions L x W x H	280 x 30 x 21 mm

## Approval marks



## Standards

UL 8750, CSA C22.2, FCC PART 15

## Specific technical data

Type	Output current <sup>⑥⑥</sup>	Min. forward voltage	Max. forward voltage	Max. output power (at 120 V, 60 Hz, full load)	Typ. power consumption (at 120 V, 60 Hz, full)	Typ. current consumption (at 120 V, 60 Hz, full)	Max. output power (at 277 V, 60 Hz, full load)	Typ. power consumption (at 277 V, 60 Hz, full)	Typ. current consumption (at 277 V, 60 Hz, full)	tc point max. <sup>⑥</sup>	Ambient temperature ta
LC 20/200-650/54 0-10V NAX Ip EXC2 UNV	200 mA	20 V	54.0 V	10.8 W	13.0 W	108 mA	10.8 W	13.2 W	57 mA	60 °C	-25 ... +55 °C
LC 20/200-650/54 0-10V NAX Ip EXC2 UNV	250 mA	20 V	54.0 V	13.5 W	15.9 W	133 mA	13.5 W	16.2 W	66 mA	60 °C	-25 ... +55 °C
LC 20/200-650/54 0-10V NAX Ip EXC2 UNV	300 mA	20 V	54.0 V	16.2 W	18.9 W	158 mA	16.2 W	19.0 W	73 mA	60 °C	-25 ... +55 °C
LC 20/200-650/54 0-10V NAX Ip EXC2 UNV	350 mA	20 V	54.0 V	18.9 W	21.8 W	181 mA	18.9 W	21.8 W	85 mA	60 °C	-25 ... +55 °C
LC 20/200-650/54 0-10V NAX Ip EXC2 UNV	400 mA	20 V	50.0 V	20.0 W	23.4 W	194 mA	20.0 W	23.3 W	88 mA	65 °C	-25 ... +55 °C
LC 20/200-650/54 0-10V NAX Ip EXC2 UNV	450 mA	20 V	44.4 V	20.0 W	23.6 W	197 mA	20.0 W	23.5 W	89 mA	65 °C	-25 ... +55 °C
LC 20/200-650/54 0-10V NAX Ip EXC2 UNV	500 mA	20 V	40.0 V	20.0 W	23.1 W	192 mA	20.0 W	23.2 W	88 mA	65 °C	-25 ... +55 °C
LC 20/200-650/54 0-10V NAX Ip EXC2 UNV	550 mA	20 V	36.4 V	20.0 W	23.8 W	198 mA	20.0 W	23.7 W	90 mA	65 °C	-25 ... +55 °C
LC 20/200-650/54 0-10V NAX Ip EXC2 UNV	600 mA	20 V	33.3 V	20.0 W	23.6 W	195 mA	20.0 W	23.5 W	89 mA	70 °C	-25 ... +55 °C
LC 20/200-650/54 0-10V NAX Ip EXC2 UNV	650 mA	20 V	30.7 V	20.0 W	23.6 W	194 mA	20.0 W	23.4 W	87 mA	70 °C	-25 ... +55 °C

<sup>①</sup> Valid at 100 % dimming level.

<sup>②</sup> Depending on the selected output current.

<sup>③</sup> With load on AUX port higher.

<sup>④</sup> Output current is mean value.

<sup>⑤</sup> The table only lists a number of possible operating points but does not cover each single point. The output current can be set within the total value range in 1-mA-steps.

<sup>⑥</sup> 5-year guarantee.

## X-ON Electronics

Largest Supplier of Electrical and Electronic Components

*Click to view similar products for [LED Power Supplies](#) category:*

*Click to view products by [Tridonic](#) manufacturer:*

Other Similar products are found below :

[ESS015W-1000-12](#) [PDA-WIFI](#) [PIFC-K250F](#) [PITB-K222A](#) [ALD-514012PJ134](#) [LB240S24KH](#) [LMH020-SPLC-0000-0000001](#) [79534](#) [79535](#)  
[EUG-200S210DT](#) [ESS030W-1050-21](#) [ESS030W-0900-32](#) [BPOXL 4-12-035](#) [ESS010W-0350-24](#) [ESM060W-1400-42](#) [PDA080B-1A0G](#)  
[PDA150B-S1A5G](#) [SLM140W-1.05-130-ZA](#) [ESS015W-0700-18](#) [EUD-150S350DVA](#) [LWA320-C420-ARK-B](#) [HVG-240-48AB](#) [HVG-320-](#)  
[36AB](#) [HVG-320-54AB](#) [ELG-240-C1400AB](#) [EUK-150S105DV](#) [BXCS-12Z-N2P-B1-A](#) [BXPR-WN-01-A](#) [BXCS-12D-N2P-01-A](#) [BXCS-](#)  
[12W-N2P-01-A](#) [LC 50W 200-350ML 170V FLEXC LP SNC4](#) [LC 25W 200-350ML 70V FLEXC LP SNC4](#) [LC 35W 200-350ML 121V](#)  
[FLEXC LP SNC4](#) [HVG-320-48AB](#) [CNB50W-1200-42-CAS](#) [CNB30W-0600-42-CAS](#) [LCI 100W 1400MA TEC C](#) [LCI 100W 2100MA TEC](#)  
[C](#) [LCI 150W 1750MA TEC C](#) [LCI 150W 2100MA TEC C](#) [87500284](#) [LC 50W 1200MA FIXC SR SNC](#) [87500554](#) [87500750](#) [87500753](#)  
[87500754](#) [87500757](#) [87500767](#) [87500771](#) [87500797](#)