

Driver LCO 135W 200–1050mA 220V NFC C ADV3
advanced NFC outdoor series

**Product description**

- _ Dimmable built-in constant current outdoor LED driver
- _ Dimming range 5 – 100 % (min. 10 mA)
- _ For luminaires of protection class I and protection class II
- _ Temperature protection as per EN 61347-2-13 C5e
- _ Output current adjustable between 200 – 1,050 mA via NFC or ready2mains Programmer
- _ Max. output power 135 W
- _ Up to 93 % efficiency
- _ Lowest power input on stand-by < 0.16 W
- _ Nominal lifetime of 100,000 h and 8 years guarantee (conditions at <https://www.tridonic.com/manufacture-guarantee-conditions>)

Interfaces

- _ Near field communication (NFC)
- _ ready2mains (configuration via mains)
- _ U6Me2 (configuration of chronoSTEP via mains)
- _ Terminal blocks: 45° push terminals

Functions

- _ Adjustable output current in 1-mA-steps (NFC, ready2mains)
- _ Programmable chronoSTEP: times and levels (NFC, U6Me2, ready2mains)
- _ Dimming through mains voltage (inputDIM)
- _ Enhanced constant light output function (eCLO)
- _ Protective features (overtemperature, short-circuit, overload, no-load, input voltage range, reduced surge amplification)
- _ Intelligent Temperature Guard (ITG)
- _ Intelligent Voltage Guard Plus (IVG+)
- _ Suitable for emergency escape lighting systems acc. to EN 50172

Benefits

- _ Flexible configuration via companionSUITE (NFC, ready2mains™) or U6Me2 programmer
- _ Application-oriented operating window for maximum compatibility
- _ Best energy savings due to low stand-by losses and high efficiency
- _ In-field programming possible after installation with NFC interface and ready2mains
- _ High overvoltage protection: up to 10 kV asymmetric (protection class I and II)

Typical applications

- _ Road, street and industry

Website

<http://www.tridonic.com/87500826>



Spotlights



Downlights



Linear



Area



Floor | Wall



Free-standing



Street



Decorative

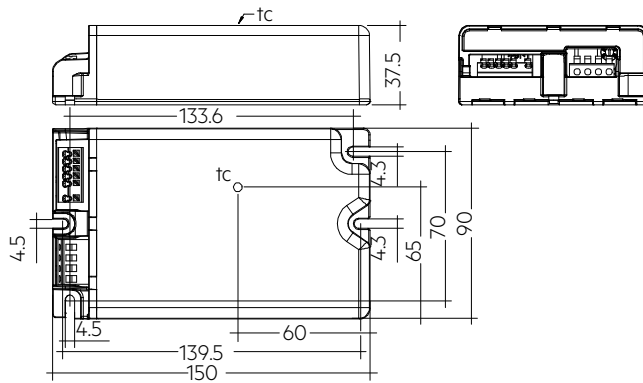


High bay

Driver LCO 135W 200–1050mA 220V NFC C ADV3

advanced NFC outdoor series

The complete data sheet for this product is available in the Downloads section.

**Ordering data**

Type	Article number	Packaging, carton	Packaging, pallet	Weight per pc.
LCO 135/200-1050/220 NF C ADV3	87500826	10 pc(s).	150 pc(s).	0.746 kg

Technical data

Rated supply voltage	220 – 240 V
AC voltage range	198 – 264 V
inputDIM voltage range	170 – 250V
DC voltage range	176 – 280 V
Mains frequency	0 / 50 / 60 Hz
Overvoltage protection	320 V AC, 48 h
Typ. current (at 230 V, 50 Hz, full load) ^{①②}	169 – 647 mA
Typ. current (220 V, 0 Hz, full load, 15 % dimming level) ^②	48 – 117 mA
Leakage current (at 230 V, 50 Hz, full load) ^{①②}	< 450 µA
Touch current (equipotential connected) ^③	440 µA
Max. input power	147 W
Typ. efficiency (at 230 V, 50 Hz, full load) ^{②④}	93 %
λ (at 230 V, 50 Hz, full load) ^①	0.98
Typ. power consumption on stand-by ^⑤	< 0.16 W
In-rush current (peak / duration)	65 A / 268 µs
THD (at 230 V, 50 Hz, full load) ^①	< 8 %
Starting time (at 230 V, 50 Hz, full load)	< 750 ms
Starting time (DC mode)	< 800 ms
Switchover time (AC/DC) ^⑥	< 300 ms
Turn off time (at 230 V, 50 Hz, full load)	< 500 ms
Output current tolerance ^{①⑦}	± 3 %
Max. output current peak (non-repetitive)	≤ output current + 15 %
Output LF current ripple (< 120 Hz)	± 5 %
Output P_ST_LM (at full load)	≤ 1
Output SVM (at full load)	≤ 0.4
Max. output voltage (U-OUT)	280 V
Max. output voltage (HV)	280 V
Max. output voltage (LV)	180 V
Dimming range	5 – 100 % (min. 10 mA)
Mains surge capability (between L - N) ^⑧	6 kV / 3 kA
Mains surge capability (between L/N - PE)	10 kV
Burst protection	6 kV
Surge voltage at output side (against PE)	< 1 kV
Type of protection	IP20
Lifetime	up to 100,000 h
Guarantee (conditions at www.tridonic.com)	8 Year(s)
Dimensions L x W x H	150 x 90 x 37.5 mm

Approval marks**Standards**

EN 55015, EN 61000-3-2, EN 61000-3-3, EN 61000-4-4, EN 61000-4-5, EN 61347-1, EN 61347-2-13, EN 62384, EN 61547, according to EN 50172, according to EN 60598-2-22

Specific technical data

Type	Output current ^②	Min. output voltage	Max. output voltage	Max. output power	Typ. power consumption (at 230 V, 50 Hz, full load)	Typ. current consumption (at 230 V, 50 Hz, full load)	t _c point max.	Ambient temperature t _a
High voltage output (HV)								
LCO 135/200-1050/220 NF C ADV3	200 mA	135.0 V	220.0 V	44.0 W	52.5 W	244 mA	100 °C	-40 ... +70 °C
LCO 135/200-1050/220 NF C ADV3	250 mA	108.0 V	220.0 V	55.0 W	64.0 W	292 mA	100 °C	-40 ... +70 °C
LCO 135/200-1050/220 NF C ADV3	300 mA	104.0 V	220.0 V	66.0 W	75.4 W	340 mA	100 °C	-40 ... +70 °C
LCO 135/200-1050/220 NF C ADV3	350 mA	104.0 V	220.0 V	77.0 W	86.9 W	389 mA	100 °C	-40 ... +70 °C
LCO 135/200-1050/220 NF C ADV3	400 mA	104.0 V	220.0 V	88.0 W	98.2 W	438 mA	100 °C	-40 ... +70 °C
LCO 135/200-1050/220 NF C ADV3	450 mA	104.0 V	220.0 V	99.0 W	108.9 W	484 mA	100 °C	-40 ... +65 °C
LCO 135/200-1050/220 NF C ADV3	500 mA	104.0 V	220.0 V	110.0 W	119.6 W	530 mA	100 °C	-40 ... +65 °C
LCO 135/200-1050/220 NF C ADV3	550 mA	104.0 V	220.0 V	121.0 W	132.8 W	587 mA	100 °C	-40 ... +65 °C
LCO 135/200-1050/220 NF C ADV3	600 mA	104.0 V	220.0 V	132.0 W	145.0 W	641 mA	95 °C	-40 ... +60 °C
LCO 135/200-1050/220 NF C ADV3	650 mA	104.0 V	207.7 V	135.0 W	145.1 W	640 mA	95 °C	-40 ... +60 °C
LCO 135/200-1050/220 NF C ADV3	700 mA	104.0 V	192.9 V	135.0 W	144.7 W	638 mA	90 °C	-40 ... +60 °C
LCO 135/200-1050/220 NF C ADV3	750 mA	104.0 V	180.0 V	135.0 W	145.3 W	641 mA	90 °C	-40 ... +60 °C
LCO 135/200-1050/220 NF C ADV3	800 mA	104.0 V	168.8 V	135.0 W	145.0 W	639 mA	95 °C	-40 ... +65 °C
LCO 135/200-1050/220 NF C ADV3	850 mA	104.0 V	158.8 V	135.0 W	143.7 W	634 mA	95 °C	-40 ... +65 °C
LCO 135/200-1050/220 NF C ADV3	900 mA	104.0 V	150.0 V	135.0 W	145.0 W	636 mA	90 °C	-40 ... +65 °C
LCO 135/200-1050/220 NF C ADV3	950 mA	104.0 V	142.1 V	135.0 W	143.6 W	634 mA	90 °C	-40 ... +65 °C
LCO 135/200-1050/220 NF C ADV3	1,000 mA	104.0 V	135.0 V	135.0 W	144.8 W	639 mA	90 °C	-40 ... +65 °C
LCO 135/200-1050/220 NF C ADV3	1,050 mA	104.0 V	128.6 V	135.0 W	144.1 W	636 mA	90 °C	-40 ... +65 °C
Low voltage output (LV)								
LCO 135/200-1050/220 NF C ADV3	250 mA	108.0 V	131.0 V	32.8 W	41.3 W	199 mA	100 °C	-40 ... +70 °C
LCO 135/200-1050/220 NF C ADV3	300 mA	90.0 V	131.0 V	39.3 W	47.2 W	223 mA	100 °C	-40 ... +70 °C
LCO 135/200-1050/220 NF C ADV3	350 mA	77.1 V	131.0 V	45.9 W	54.1 W	251 mA	100 °C	-40 ... +70 °C
LCO 135/200-1050/220 NF C ADV3	400 mA	67.5 V	131.0 V	52.4 W	60.7 W	278 mA	100 °C	-40 ... +70 °C
LCO 135/200-1050/220 NF C ADV3	450 mA	62.0 V	131.0 V	59.0 W	67.6 W	307 mA	100 °C	-40 ... +70 °C
LCO 135/200-1050/220 NF C ADV3	500 mA	62.0 V	131.0 V	65.5 W	74.6 W	337 mA	100 °C	-40 ... +70 °C
LCO 135/200-1050/220 NF C ADV3	550 mA	62.0 V	131.0 V	72.1 W	81.3 W	366 mA	100 °C	-40 ... +70 °C
LCO 135/200-1050/220 NF C ADV3	600 mA	62.0 V	131.0 V	78.6 W	87.7 W	393 mA	100 °C	-40 ... +70 °C
LCO 135/200-1050/220 NF C ADV3	650 mA	62.0 V	131.0 V	85.2 W	94.2 W	421 mA	100 °C	-40 ... +70 °C
LCO 135/200-1050/220 NF C ADV3	700 mA	62.0 V	131.0 V	91.7 W	101.6 W	452 mA	100 °C	-40 ... +65 °C
LCO 135/200-1050/220 NF C ADV3	750 mA	62.0 V	131.0 V	98.3 W	107.6 W	478 mA	100 °C	-40 ... +65 °C
LCO 135/200-1050/220 NF C ADV3	800 mA	62.0 V	131.0 V	104.8 W	114.6 W	508 mA	100 °C	-40 ... +65 °C
LCO 135/200-1050/220 NF C ADV3	850 mA	62.0 V	131.0 V	111.4 W	121.6 W	539 mA	100 °C	-40 ... +65 °C
LCO 135/200-1050/220 NF C ADV3	900 mA	62.0 V	131.0 V	117.9 W	128.6 W	569 mA	100 °C	-40 ... +60 °C
LCO 135/200-1050/220 NF C ADV3	950 mA	62.0 V	131.0 V	124.5 W	135.4 W	598 mA	95 °C	-40 ... +60 °C
LCO 135/200-1050/220 NF C ADV3	1,000 mA	62.0 V	131.0 V	131.0 W	142.5 W	629 mA	95 °C	-40 ... +60 °C
LCO 135/200-1050/220 NF C ADV3	1,050 mA	62.0 V	128.6 V	135.0 W	146.5 W	647 mA	95 °C	-40 ... +60 °C

① Valid at 100 % dimming level.

② Depending on the selected output current.

③ Maximum of "perception and reaction" and "let go" values according to EN 60598-1.

④ Tolerance range ± 5 %.

⑤ Depending on the DALI traffic at the interface.

⑥ Valid for immediate change of power supply type otherwise the starting time is valid.

⑦ Output current is mean value.

⑧ L-N acc. to EN 61000-4-5. 2 Ohm, 1,2/50 µs, 8/20 µs.

X-ON Electronics

Largest Supplier of Electrical and Electronic Components

Click to view similar products for [LED Power Supplies](#) category:

Click to view products by [Tridonic](#) manufacturer:

Other Similar products are found below :

[PIFC-K250F](#) [PITB-K222A](#) [AC-A60VD24H2.5](#) [ALD-514012PJ134](#) [PWD-60-1-70-P](#) [EUG-200S210DT](#) [ESS030W-1050-21](#) [BPOXL 4-12-035](#) [ESS010W-0180-42](#) [ESS010W-0350-24](#) [ESS010W-0200-42](#) [SLM140W-1.05-130-ZA](#) [ESS015W-0700-18](#) [HVG-240-48AB](#) [HVG-240-54AB](#) [OTE 25/220-240/700 PC](#) [DAL30W-0600-42-T](#) [HVG-320-48AB](#) [CNB30W-0600-42-CAS](#) [87500757](#) [I-SELECT 2 PLUG 2100MA BL](#) [LCU 48V 75W DC-STR FO](#) [LC 45 W 500-1400 MA FLEXC SC EXC](#) [I-SELECT 2 PLUG 2000MA BL](#) [LC 50/200-350/170 FLEXCC LP](#) [SNC3](#) [LCO 14/100-500/38 O4A NF C EXC3](#) [LC 28W 300-700MA 42 FLEXC NF SC EXC3](#) [LC 44/1050/42 FIXC SRL ADV2](#) [LCA 60W 900-1750MA ONE4ALL C PRE](#) [LC 8/180/44 FIXC SR SNC2](#) [LC 19/200-350/54 FLEXC LP SNC4](#) [BXDR-PS-75BS-E116D-01-A](#) [LC 30/500/54 FIXC SR SNC2](#) [LCA 60W 24V ONE4ALL SC PRE SP](#) [LC 60W 75-330MA 310V FLEXC NF H16 EXC4](#) [LC 8/180/42 FIXC PC SR SNC2](#) [LC 10/350/29 FIXC SR SNC2](#) [LC 25/500/43 FIXC SR SNC2](#) [LC 50/100-400/140 PO4A NF H16 PRE3](#) [LC 25/600/42 FIXC SRL ADV2](#) [LCO 24/200-1050/39 NF C ADV3](#) [ELEMENT 35/220...240/900 G3](#) [LC 25W 350-1050MA FLEXC SR EXC](#) [LC 60/700/86 FIXC SR SNC2](#) [LC 35W 24 ONE4ALL IP PRE](#) [BXDR-PS-25BS-E107D-01-A](#) [LC 17W 250-700MA FLEXC SR EXC](#) [LC 15W 350MA FIXC C SNC](#) [LC 14W 700MA FIXC PC SR SNC2](#) [LC 200W 24V SC SNC](#)