

# 3602 / 3603 / 3604 Series

## Mechanical Totalizing Counter



3602 dual shaft



3603 left-hand shaft



3604 right-hand shaft

This unit counts revolutions on many different types of production machinery. Robustly constructed for continuous operation at high speeds with the main shaft running in double oil impregnated bearings to ensure accurate, long term, trouble free service. It is supplied with a double or single drive with wing bushing and customer configurable left or right side reset.

### Key Features

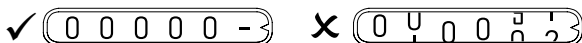
- 6-digit 6.4mm (0.25in) readout
- Up to 3000 counts per minute with 1:1 gear ratio
- 1:1, 1:10, 2:1, 3:1, 4:1 gearings as standard
- Front viewing
- Reset to zero
- Reset by lever
- Customer configurable reset position - either left or right
- Dual, left-hand or right-hand shaft options

### Specifications

<b>Display</b>	White on black, decimals black on white 6.4mm (0.25in) figures
<b>Base Material</b>	Black PC-ABS plastic
<b>Cover Material</b>	Grey ABS plastic
<b>Drive Shaft Diameter</b>	7mm (0.275 inch) diameter
<b>Gearing</b>	1:1, 1:10, 2:1, 3:1, 4:1 as standard. Others on application
<b>Bearings</b>	Bronze, oil impregnated for life
<b>Operating Torque</b>	180g.cm (2.5oz.in) at 1:1 gearing
<b>Maximum Shaft Speed</b>	3000 RPM
<b>Maximum Count Speed</b>	3000 CPM
<b>Accuracy</b>	+/- 1%
<b>Operating Temp</b>	-10°C to +50°C [14°F to 122°F]
<b>Storage Temp</b>	-20°C to +50°C [-4°F to 122°F]
<b>Environmental Protection</b>	IP40
<b>Nett Weight</b>	200g

#### Reset Instructions

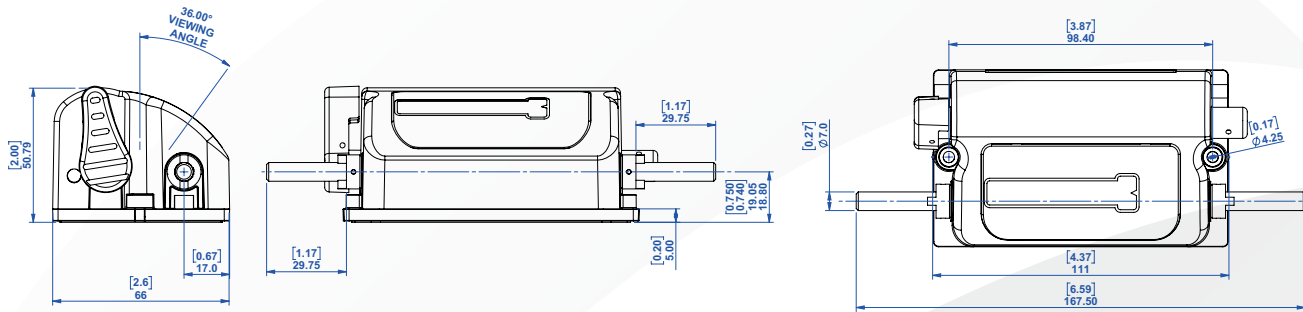
Do not reset **while counter is running**  
Do not use an **external device** to reset counter  
Do not use **excessive force** to reset counter  
Make sure that all of the 0's on the display are **lined up**



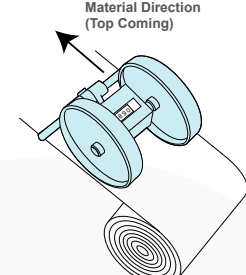
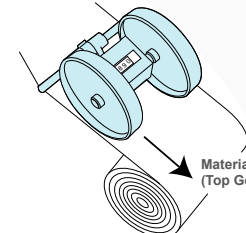
### Measuring Wheel Ordering Information

Material	Width	12" circumference	18" circumference	1/3m circumference	1/2m circumference
Rubber Covered Plastic	3/4" (19mm)	007571	007573	007905	007574
Knurled Aluminum	3/4" (19mm)	001558	001622		

### Dimensions



### Part Number Ordering Chart

COUNTER TYPE	NUMBER OF DECIMAL PLACES	FIG WHEEL READING	GEAR RATIO	DRIVE DIRECTION	
<b>3602-</b> DUAL SHAFT	<b>0</b> NO DECIMAL PLACES	<b>0</b> FULL FIGURES (PLAIN)	<b>0</b> 1:10	<b>TC</b> TOP COMING  Material Direction (Top Coming)	
<b>3603-</b> LEFT-HAND SHAFT	<b>1</b> ONE DECIMAL PLACE	<b>1</b> 0 - 11" FIG WHEEL (FEET & INCHES)	<b>1</b> 1:1		
<b>3604-</b> RIGHT-HAND SHAFT		<b>2</b> 0 - 9" FIG WHEEL (FEET & TENTHS)	<b>2</b> 2:1		
ALL COUNTERS ARE 6 DIGIT, FRONT VIEWING					
RESET POSITION IS CUSTOMER CONFIGURABLE - LEFT OR RIGHT					
DRIVE SHAFT WITH WING BUSHINGS FITTED AS STANDARD					
<b>EXAMPLE OF CODING: 3602 - 117TG</b> 3602 = DUAL SHAFT 1 = ONE DECIMAL PLACE 1 = 0-11" FIG WHEEL (FEET & INCHES) 7 = 2:3 TG = TOP GOING  3602-117TG = 99999 - 11 / 2:3 / TOP GOING					
		<b>3</b> 0 - 9" FIG WHEEL (YARDS & TENTHS)	<b>3</b> 3:1		<b>TG</b> TOP GOING  Material Direction (Top Going)
		<b>4</b> FULL FIGURES (FEET)	<b>4</b> 4:1		
		<b>5</b> FULL FIGURES (YARDS)	<b>5</b> 1:25		
		<b>6</b> FULL FIGURES (METRES)	<b>6</b> 10:1		
		<b>7</b> 0 - 7/8" FIG WHEEL (YARDS & EIGHTHS)	<b>7</b> 2:3		
			<b>8</b> 128:105		
		<b>9</b> 0 - 9cm FIG WHEEL WITH 100 LINES(M/cm)	<b>9</b> 64:105		



**Trumeter (The Americas)**  
 6601 Lyons Rd, Suite H-7  
 Coconut Creek, Florida  
 FL 33073,  
 USA  
 Tel: +1 954 725 6699  
 Email: sales.usa@trumeter.com

**Trumeter (Europe)**  
 Pilot Mill  
 Alfred Street  
 Bury,  
 BL9 9JR  
 Tel: +44 161 674 0960  
 Email: sales.uk@trumeter.com

**Innovative Design Technologies Sdn. Bhd**  
 Lot 5881, Lorong Iks Bukit Minyak 1  
 Taman Perindustrian Iks, 14000 Bukit Tengah  
 Penang, Malaysia  
 Web: www.idtworld.com  
 Tel: + 604 5015700  
 Email: sales.my@idtworld.com

## X-ON Electronics

Largest Supplier of Electrical and Electronic Components

*Click to view similar products for [Test Accessories - Other category](#):*

*Click to view products by [Trumeter manufacturer](#):*

Other Similar products are found below :

[897744](#) [AO1026](#) [AO1035](#) [AO1051](#) [AO1059](#) [149116](#) [149118](#) [1921347](#) [2520983](#) [AO1058](#) [2740300](#) [4742](#) [3894880](#) [KTS288540](#) [11-32-2733](#)  
[00163](#) [1996686](#) [HH290](#) [700M20TH](#) [628824000](#) [MPT-VF](#) [67-024-01PH](#) [GAK-003](#) [MO-SCREEN](#) [68-020-01P](#) [67-022-01P](#) [CVRF02](#)  
[1CM124A](#) [CT3678](#) [CT3679](#) [64.9235](#) [FLUKE BB120-IV](#) [PK5-2.5MM-112](#) [67-012-01P](#) [68-012-01P](#) [VS-AVT-DL](#) [WT27544B01](#) [00840](#)  
[P9370B/001](#) [2300-00037-000](#) [VS-AVT-RL](#) [1-1437358-1](#) [4408 POMONA](#) [LMLH 50](#) [046450](#) [00836](#) [FLUKE PM9082/001](#) [85392-12](#) [19292](#)  
[19295](#).