



# Model 3410

Electronic LCD Hour Meter

**EVALUATION KIT AVAILABLE**

Contact us to request yours



The Model 3410 LCD Hour Meter provides a large display with 0.28" [7mm] high characters, available in 5 different industry size housings.

A wide operating voltage, 10-300VDC and 20-300VAC, makes the model 34 versatile for all indoor and outdoor applications. All models are NEMA 4/4X, 12 & IP66 rated when used with the optional gasket and have a polarized lens which assures high visibility in an outdoor environment.

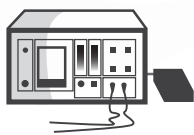
## Key Features

- Totally sealed from moisture and dirt
- AC and DC voltage input in the same unit
- Compact depth
- Fits in existing panel openings
- Always on display

## Options

- A choice of 5 housings
- Optional Remote Reset

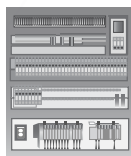
## Applications



Medical Devices



Generators



Control Panel



Production Equipment



Garden Tractor

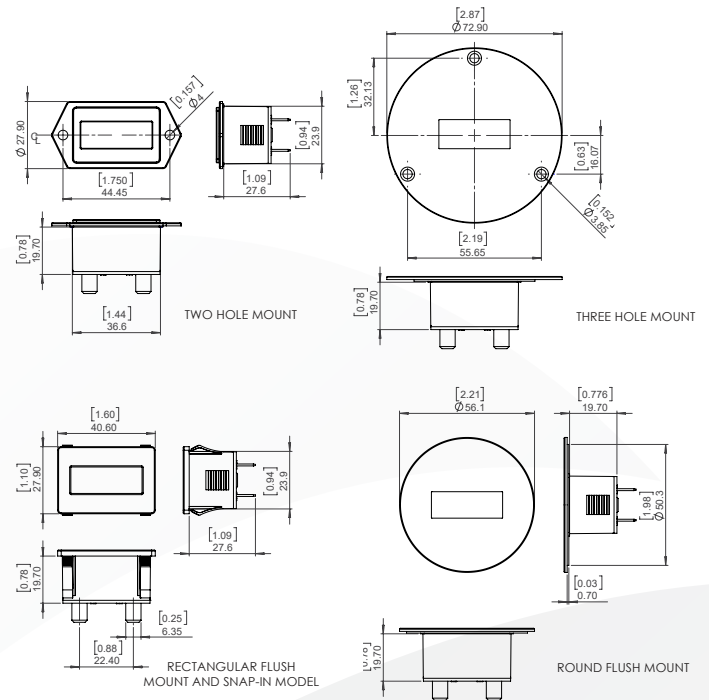


Marine Equipment

## Specifications

<b>Display</b>	LCD with large 0.28" [7mm] high figures black on light background
<b>Run Indicator</b>	Blinking decimal point
<b>Reset</b>	Remote and non-reset
<b>Resolution</b>	0.1 Hour displayed
<b>Accuracy</b>	± 0.1% @ room temperature ± 0.2% over the specified temperature range
<b>Records &amp; Displays</b>	9999999.9 (hours and 1/10ths)
<b>Inputs</b>	10-300VDC and 20-300VAC - 50/60Hz <2mA VIH 20VAC or 10VDC minimum VIL 3VAC or 3VDC maximum
<b>Power</b>	Self-powered - battery life 10+ years (battery life reduced to 5 years for temps above 100°F/37.8°C)
<b>Terminations</b>	Standard 0.250" [6.4mm] spades
<b>Enclosure</b>	Totally sealed from moisture and dirt. NEMA 4/4X, 12 & IP66 compliant from the front when properly mounted using the optional gasket. (Not applicable in the Snap-In Model)
<b>Environmental: Temp.</b>	Operating Temp.: -10°C to +60°C [14°F to +140°F] Storage Temp.: -20°C to +70°C [-4°F to +158°F]
<b>Humidity</b>	95% RH per SAE J1378
<b>Vibration</b>	20g @ 10 to 80 Hz per SAE J1378 Shock: 44 to 55g's per SAE J1378
<b>Dielectric Compliance</b>	1000VAC 50/60 Hz for 1 minute (34x0 models only) Compliant to the European WEEE and RoHS Directives
<b>Sealing</b>	Totally sealed
<b>EMC Compliance</b>	EN61326
<b>Protection Against</b>	Alternator load dump: 150V EMI (Electromagnetic Interface): +400V @ 500Hz inductive switching and reverse polarity
<b>Weight</b>	1 oz. [28g]
<b>Approvals</b>	UL & cUL recognized (file # ELIY2.E36690), CE, SAE, UKCA, NEMA 4/4X/IP66 compliant (not including 3410-2210)

## Dimensions



### Notes:

- When interfacing the Model 34 with a Solid State Relay or AC Sensor, the leakage current needs to be considered.
- Exceeding the Absolute Voltage Range and the Absolute Maximum Limits may result in damage to the unit.

## Part Numbers

Part Number	Description	Gasket
3410-0000	AC/DC Hour Meter 2-hole case 1/4" spade terminal non-reset	5003-010
3410-0010	AC/DC Hour Meter 2-hole case 1/4" spade terminal remote-reset	5003-010
3410-1000	AC/DC Hour Meter 3-hole case 1/4" spade terminals non-reset	5003-017
3410-1010	AC/DC Hour Meter 3-hole case 1/4" spade terminals remote-reset	5003-017
3410-2000	AC/DC Hour Meter flush rectangular case 1/4" spade terminals non-reset	5003-009
3410-2010	AC/DC Hour Meter flush rectangular case 1/4" spade terminals remote-reset	5003-009
3410-3000	AC/DC Hour Meter round SAE case 1/4" spade terminals non-reset	5003-009
3410-3010	AC/DC Hour Meter round SAE case 1/4" spade terminals remote-reset <b>**special order**</b> MOQ=50pcs	5003-009
3410-5000	AC/DC Hour Meter snap-in case 1/4" spade terminals non-reset	
3410-5010	AC/DC Hour Meter snap-in case 1/4" spade terminals remote reset	
5003-010	NEMA 4X Gasket two hole mount	
5003-017	NEMA 4X Gasket three hole mount	
5003-009	NEMA 4X Gasket flush rectangular and SAE round mount	
3410-0010-EVAL	3410 Evaluation Kit	



## X-ON Electronics

Largest Supplier of Electrical and Electronic Components

*Click to view similar products for [Timers](#) category:*

*Click to view products by [Trumeter](#) manufacturer:*

Other Similar products are found below :

[H5S-WFB2D](#) [304E-007-A-00-PX](#) [305E-015-A-1-0-PX](#) [THR2U-110A](#) [81506944](#) [H7AN-RT6M AC100-240](#) [600DT-CU](#) [1SVR730100R3100](#)  
[1SVR740040R3300](#) [H3RN-2 24VDC](#) [H3Y-2 AC24 10S](#) [81503028](#) [711-0113](#) [711-0180](#) [722-0001](#) [732-0023](#) [80.01.0.240.0000T](#)  
[81.01.0.230.0000T](#) [12.A4.8.230.0010](#) [85.03.0.024.0000](#) [80.61.0.240.0000T](#) [LTR10](#) [SL555D](#) [SA555DR-HXY](#) [NE555P-HXY](#) [KG316T-D](#)  
[AC220V](#) [JSZ3A-E AC220V](#) [JSZ3A-F AC220V](#) [JSS48A-2Z AC/DC24V-48V](#) [JSZ3C-B AC220V](#) [JSZ6-2 10s DC24V](#) [JSZ6-2 60s DC24V](#)  
[JSZ3Y 30s AC220V](#) [JS14P 999s AC220V](#) [JS14P 99s AC220V](#) [KG10M AC220V](#) [JSZ3A-A AC220V](#) [JSZ3A-B DC24V](#) [JSS48A-2Z AC220V](#)  
[JSZ6-2 10s AC220V](#) [JSZ3F 30s AC220V](#) [JZF-07 AC220V](#) [JSZ3A-B AC220V](#) [JS14P 99s AC380V](#) [JSZ3F 60s AC220V](#) [710037400000004](#)  
[JSZ3A-D AC220V](#) [JSZ6-2 60s AC220V](#) [KG10D-1H AC220V](#) [JSS48A AC220V](#)